


FAS INTERNATIONAL S.r.l.

Via Lago di Vico ,60 – 36015 SCHIO (VI) ITALY
Telefono +39 0445 502011 r.a. - Fax +39 0445 502010
www.fas.it - info@fas.it
Capitale Sociale € 7.000.000,00 int. vers. - C.F. e P.I. 02081960243
Registro Imprese Vicenza n. 23572



 **REGOLAMENTO (CE) N. 852/2004 sull'igiene dei prodotti alimentari**

Fas International dichiara che i modelli citati in calce alla presente, se utilizzati con procedure corrette come descritto nei relativi manuali d'uso, rispettano i requisiti generali e specifici di igiene del Regolamento (CE) N. 852/2004 DEL PARLAMENTO EUROPEO E DEL CONSIGLIO del 29 aprile del 2004, Capitolo III , paragrafi 1 e 2g.



REGULATION (EC) No. 852/2004 on the hygiene of foodstuffs

Fas International declares that the models listed below, if used in line with the correct procedures as described in the corresponding user manuals, comply with the general and specific hygiene requirements of the Regulation No. 852/2004 OF THE EUROPEAN PARLIAMENT AND OF THE COUNCIL of 29 April 2004, Chapter III , paragraphs 1 and 2g.



RÈGLEMENT (CE) N. 852/2004 sur l'hygiène des produits alimentaires

Fas International déclare que les modèles indiqués au bas de la présente, à condition qu'ils soient utilisés conformément aux procédures décrites dans les modes d'emploi correspondants, répondent aux exigences générales et spécifiques d'hygiène du Règlement (CE) N. 852/2004 DU PARLEMENT EUROPÉEN ET DU CONSEIL du 29 avril 2004, Chapitre III, paragraphes 1 et 2g.



REGLAMENTO (CE) Nº 852/2004 sobre la higiene de productos alimenticios

Fas International declara que los modelos indicados a pie de página, de ser utilizados correctamente tal como se señala en los relativos manuales de uso, cumplen los requisitos generales y específicos de higiene del Reglamento (CE) Nº 852/2004 DEL PARLAMENTO EUROPEO Y DEL CONSEJO del 29 abril de 2004, Capítulo III, párrafos 1 y 2g.



VERORDNUNG (EG) NR. 852/2004 zur Hygiene von Lebensmittelprodukten

Fas International erklärt, dass die nachstehend angeführten Modelle, wenn sie korrekt nach den Verfahrensanweisungen in den jeweiligen Handbüchern benutzt werden, den allgemeinen und spezifischen Hygieneanforderungen der EG-Verordnung Nr. 852/2004 DES EUROPÄISCHEN PARLAMENTS UND DES RATES vom 29. April 2004, Kapitel III , Abschnitte 1 und 2g entsprechen.

CHI CONTATTARE IN CASO DI GUASTO

Nella maggior parte dei casi, molti degli inconvenienti tecnici sono risolvibili con piccoli interventi, consigliamo quindi di leggere attentamente il presente manuale, prima di chiamare il servizio di Assistenza. Nel caso di anomalie o malfunzionamenti non risolvibili l'utente può rivolgersi al referente di zona.

WHOM TO CONTACT IN CASE OF DEFAULT

In most of the cases, many technical inconveniences can be solved with small interventions and therefore we advise to carefully read this booklet before calling the Assistance Service. In case of anomalies or bad functioning which are not solvable, the user can apply to the local agent.

QUI APPELER EN CAS DE PANNE

Dans la plupart des cas, beaucoup des inconvénients techniques peuvent être résolus avec de petites interventions. Pour cela on vous conseille de lire attentivement ce manuel avant d'appeler le service assistance. En cas de nécessité ou pour d'éventuels renseignements le client peut s'adresser au service technique local

MIT WEM SICH IM STÖRUNGSFALL IN VERBINDUNG SETZEN

In den meisten Fällen sind viele der technischen Schwierigkeiten durch kleine Operationen lösbar; deshalb raten wir Ihnen diese Betriebsanleitung sorgfältig zu lesen, bevor Sie den Kundendienst benachrichtigen. Falls nötig oder um eventuelle Erklärungen zu erhalten, sich an den Gebietsvertreter

A QUIEN CONTACTAR EN CASO DE AVERIA

En la mayor parte de los casos, muchos inconvenientes técnicos se pueden resolver con intervenciones menores; aconsejamos, por lo tanto, leer atentamente el presente manual, antes de llamar al servicio de Asistencia. En el caso de mal funcionamiento o de anomalias irresolubles, el usuario puede dirigirse al agente local.

FAS INTERNATIONAL S.r.l.
Via Lago di Vico 60 - 36015 SCHIO (VI) ITALY
☎ +39 0445 502011 - Fax +39 0445 502010
internet: <http://www.fas.it> - e-mail: info@fas.it

GARANZIA

La Casa garantisce i propri distributori da difetti meccanici costruttivi per la durata di 24 mesi, fatto salvo altri accordi tra le parti. I danni derivati da un uso non corretto della macchina, non sono coperti da garanzia.

Per ulteriori informazioni vi preghiamo di prendere visione delle Condizioni Generali di Vendita.

Il costruttore si riserva il diritto di modificare senza preavviso le caratteristiche delle apparecchiature presentate in questa pubblicazione: inoltre declina ogni responsabilità per le possibili inesattezze imputabili ad errori di stampa e/o trascrizioni, contenute nella stessa.

GUARANTEE

The manufacturer guarantees its machines for mechanical construction faults for 24 months, unless the parties agree otherwise. Damage resulting from incorrect machine use is not covered by the warranty.

For more information, read the General Sales Conditions.

The manufacturer reserves the right to alter the characteristics of the equipment presented in this document without prior warning. The manufacturer also disclaims all responsibility for any possible inaccuracies in the document due to printing or copying errors...

GARANTIE

La société garantit ses distributeurs pour une période de 24 mois contre tous défauts mécaniques reconnus par le fabricant, sans préjudice d'autres accords entre les parties. Les dommages dérivés d'une mauvaise utilisation de la machine ne sont pas couverts par la garantie.

Pour plus d'informations, veuillez consulter les conditions générales de vente.

Le fabricant se réserve le droit de modifier sans préavis les caractéristiques des équipements présentés dans cette publication: il décline également toute responsabilité pour les possibles inexactitudes découlant d'erreurs d'impression et/ou de transcriptions, y contenues.

GARANTIE

Die Firma haftet für mechanische Herstellungsdefekte ihrer Geräte für den Zeitraum von 24 Monaten, wenn nicht anders unter den Parteien vereinbart. Schäden, die durch unsachgemäßen Gebrauch der Maschine entstehen, werden von der Garantie nicht gedeckt.

Für weitere Informationen siehe die Allgemeinen Verkaufsbedingungen.

Der Hersteller behält sich das Recht vor, die Eigenschaften der in dieser Veröffentlichung vorgestellten Geräte ohne vorherige Ankündigung zu ändern. Darüber hinaus lehnt er jede Verantwortung für mögliche Ungenauigkeiten ab, die auf darin enthaltene Druck- und/oder Transkriptionsfehler zurückzuführen sind..

GARANTÍA

La Casa garantiza a sus distribuidores contra defectos mecánicos de construcción por un período de 24 meses, sin perjuicio de otros acuerdos entre las partes. Los daños resultantes del uso incorrecto de la máquina no están cubiertos por la garantía.

Para más información, leer las Condiciones Generales de Venta.

El fabricante se reserva el derecho a modificar las características de los equipos presentados en esta publicación sin previo aviso: además, declina toda responsabilidad por posibles inexactitudes atribuibles a errores de impresión y/o transcripción contenidos en la misma

Le istruzioni, i disegni, le tabelle e quant'altro è contenuto nel presente fascicolo sono di natura tecnica riservata e, per questo, ogni informazione non può essere riprodotta né completamente né parzialmente e non può essere comunicata a terzi, senza l'autorizzazione scritta della FAS.
























The instructions, drawings, tables and everything else contained in this pamphlet are of a confidential nature and, for this reason, no information can be reproduced wholly or in part, nor communicated to third parties without the written approval of FAS.

Les instructions, les dessins, les tableaux et toute autre chose contenue dans le présent dossier sont des informations de nature technique confidentielle et pour cette raison, toute reproduction intégrale ou partielle de ces informations et toute communication de celles-ci à des tiers est formellement interdite, sans l'autorisation écrite de FAS.

Die Anleitungen, Zeichnungen, Tabellen und der restliche Inhalt dieser Akte sind technischer Natur und vertraulich. Deshalb dürfen sämtliche Informationen ohne schriftliche Zustimmung der FAS weder ganz noch teilweise vervielfältigt oder Dritten zugänglich gemacht werden.

Tanto las instrucciones como los dibujos, las tablas y todo lo demás contenido en el presente fascículo son de carácter técnico reservado y, por tanto, no se podrá reproducir ninguna información ni total ni parcialmente y no se podrá comunicar a terceros sin la autorización escrita de FAS.

CONTENTS

1	GENERAL	2
1.1	MACHINE ID.....	2
1.2	LAYOUT OF ADHESIVE STICKERS.....	3
1.3	GUIDE TO CONSULTATION.....	4
1.4	SAFETY DEVICES.....	5
2	USE OF THE VENDING MACHINE FOR THE SALE OF FOOD PRODUCTS	9
2.1	ESTIMATE OF THE IMPACT OF TEMPERATURE SETTINGS ON FOOD WASTE.....	9
3	TECHNICAL CHARACTERISTICS	10
4	DOOR COMPONENTS	14
5	INTERNAL COMPONENTS	15
6	TRANSPORT, HANDLING, STORAGE AND UNPACKING	16
6.1	TRANSPORTATION AND STORAGE  	16
6.2	UNPACKING  	16
6.3	INSTALLATION  	17
6.4	WARNING FOR INSTALLATION.....	18
6.5	CONNECTING THE PAYMENT SYSTEM.....	18
7	WARNING FOR SCRAPPING THE MACHINE	18
8	OPERATION ON THE MACHINE	19
8.1	PRODUCT LOADING PROCEDURE FOOD ZONE 	19
8.1.1	GUIDELINES FOR LOADING PRODUCTS 	19
8.2	SPACER FOR PRODUCTS ON FOOD ZONE.....	20
8.3	PRODUCT EXPELLER.....	20
8.4	VENDING A PRODUCT.....	20
9	FUNCTION/PROGRAMMING KEYBOARD  	21
9.1	CHECK SELECTIONS.....	21
9.2	LIST OF PROGRAMME COMMANDS.....	22
9.2.1	ACCESS TO THE SUB-MENUS.....	23
9.2.2	SETTING THE TEMPERATURE PARAMETERS.....	26
9.2.3	TO SET MACHINE PARAMETERS.....	28
9.3	USING THE BDV COIN MECHANISM.....	39
9.4	USE OF PAYMENT SYSTEMS MDB.....	41
9.5	USING THE EXECUTIVE STD/EXECUTIVE PRICE HOLDING PAYMENT SYSTEMS.....	43
10	ADJUSTMENTS	44
10.1	SPIRALS.....	44
10.2	PROCEDURE FOR REPLACING SPIRALS AND EXPELLER MOTOR GROUP.....	44
10.3	PROCEDURE FOR REMOVING THE DRAWERS  	45
10.4	MODIFYING THE TRAY NUMBER  	45
10.5	PROCEDURE FOR CHANGING THE TEMPERATURE MANAGEMENT SIDE-PANEL  	46
10.6	FITTINGS FOR FASTENING TRAY WIRING  	47
10.7	INSTRUCTIONS FOR CONVERTING THE TRAYS  	48
10.8	ACCESS TO THE ELECTRIC PANEL AND REFRIGERATION UNIT  	49
10.9	BOTTLE UNLOADING KIT 	49
10.10	INSTRUCTIONS FOR REPLACING THE INTERNAL LIGHTING DEVICE.....	49
11	INSTRUCTIONS FOR CLEANING	50
11.1	IMPORTANT POINTS FOR CLEANING.....	50
11.2	INACTIVITY.....	50

1 GENERAL



This manual has been prepared for the most complete model: consequently there may be extra descriptions or explanations that do not apply to your machine.

This documentation is an integral part of the machine and must accompany it when it changes hands or is moved throughout the company.

Before installing and using the vending machine, you must read and fully understand this manual as it provides information regarding safe installation, operation and maintenance of the unit.

This manual provides all the information needed by the personnel assigned to running and maintaining the machine so they can operate in full safety.

Contact the manufacturer for any information, spare parts or accessories you may need. Never perform any operations you are unsure of. This is strictly forbidden.

The manual or a copy thereof must be kept near the machine, on hand for the operator to consult; it must be kept in a place protected from heat, humidity and corrosive agents (oils, lubricants, corrosive products).

The manual must be consulted carefully so as to prevent damaging it; never remove any pages, replace or delete information or modify the content of the manual in any way.

Any revisions and pages illustrating the accessories form an integral part of this manual and should therefore be added to it.

To access the online spare parts area, enter the following address:

<https://ricambi.fas.it>

The User Manual contains the energy label. Bear in mind that the energy label must only be attached to the vending machine in the point of sale (i.e. in the place where cooling appliances with a direct sale function are on display for sale, hire or lease-for-sale).

Remember also that the data on the energy label will no longer be valid in the moment when the machine is transformed by third parties (for example with the assembly of additional devices).

Use the QR code at the top right of the label if you need to check the data; you will be connected to the Eprel European Product Database, where you can find the original documents containing the data indicated.

1.1 MACHINE ID

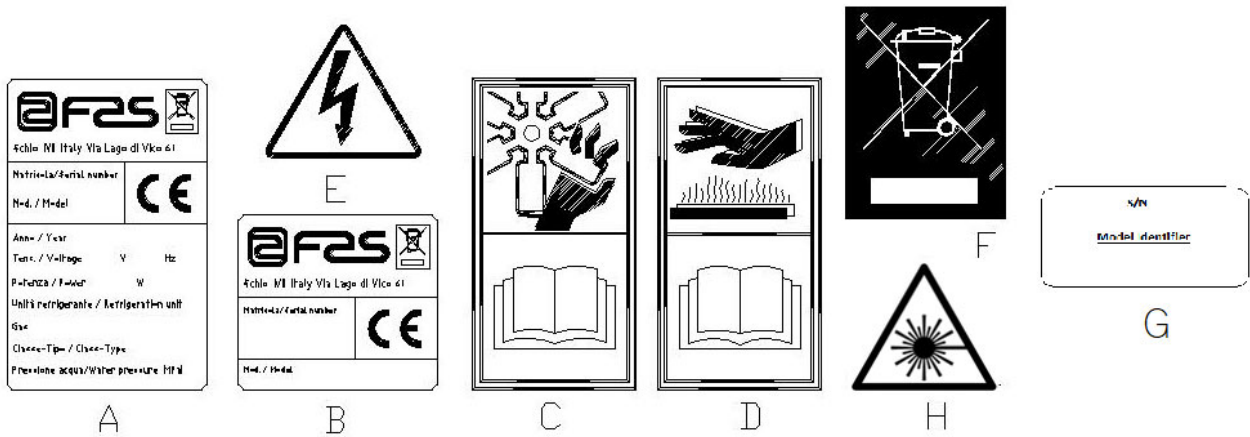
The following pages of this booklet show the user how to identify the VENDING MACHINE. This information will be very important later on as it enables the manufacturer to provide technical information quickly and safely and to facilitate spare parts management.



You are therefore advised not to damage or remove the means of product identification.

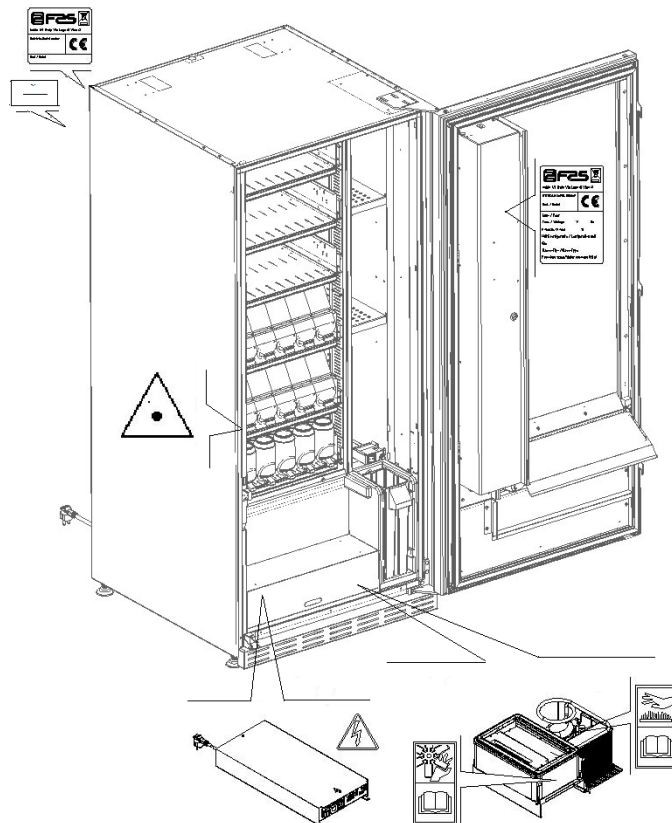
The ID is on the plastic-coated plate showing the data to be passed on to the manufacturer when necessary. This label is the only one recognised by the manufacturer for product identification.

1.2 LAYOUT OF ADHESIVE STICKERS








S	Full ID data-plate
B	ID label
C	Safety sticker indicating the danger of rotating parts
D	Safety sticker indicating surfaces at high temperatures
E	Safety sticker indicating the presence of electrical voltage
F	Disposal according to WEEE, in accordance with national law.
G	Energy range identification plate
H	(LED LIGHTING) LASER RADIATION - DO NOT STARE INTO BEAM - CLASS 2 LASER PRODUCT

The complete ID plate "A", showing all the machine data, can be found set inside the cabinet (see diagram below). If there is printing on the side of the cabinet, plate "B" will be on the back, at the top right. Furthermore, the serial number is also printed on the most important element of the machine (fans, compressor cards, etc.).



1.3 GUIDE TO CONSULTATION



SYMBOL	MEANING	REMARKS
	DANGER	Indicates a danger that may even lead to death.
	WARNING	Indicates a warning or notes on key functions or useful information. Pay close attention to the text accompanying this symbol. It requires that maintenance personnel take a measurement reading, check a report, check the correct positioning of some part of the machinery, etc., before performing a certain command or operation.
	SCHEDULED MAINTENANCE ACTIVITIES	<i>The term scheduled maintenance indicates:</i> the reloading operations, setting the control parameters, emptying out the coins, and the cleaning operations in the areas in contact with the food products.
	SPECIAL MAINTENANCE ACTIVITIES	<i>The term special maintenance indicates:</i> maintenance tasks of varying complexity (mechanical, electrical, etc.), performed under particular conditions or agreed upon with the user and not considered under the scheduled maintenance activities.
	RECYCLING	The materials must be disposed of in an environmentally-friendly manner. This is mandatory.

Pay close attention to any text in bold face, a larger font or underlined, as it always refers to operations or information of particular importance.

The attached wiring diagrams are to be used exclusively by skilled technicians authorised by the manufacturer to carry out maintenance and special controls.

In the references to the machine on the following pages, the terms "front" or "forward" indicate the door side, while the terms "back" or "rear" indicate the opposite side; "right" and "left" refer to the operator's right and left side when standing in front of the machine and facing towards it.

For each operation to be carried out on the machine, a level of expertise (see below) is given to indicate the persons qualified to perform the operation concerned.

Final user	Person without specific expertise, able to perform the operations of purchasing and retrieving the product only by using the controls displayed on the machine or by following the instructions given on the display
Scheduled maintenance operator	Persons able perform the tasks indicated for the previous qualification level and, in addition, to operate according to the instructions indicated with the symbol  in this manual
Special maintenance operator	Personnel able perform the tasks indicated for the previous qualification levels and, in addition, to operate according to the instructions indicated with the symbols  in this manual. In some cases, the skilled technicians must also be able to intervene with the guards disabled, and thus under unsafe conditions. However, operations with moving and/or powered parts must only be performed in exceptional cases and only when intervention under adequately safe conditions have proved impossible. Only persons with the knowledge and practical experience with the unit — in particular with unit safety and hygiene — should be allowed access to these areas.

The operations described in this manual — covering all phases of the machine life cycle — have been carefully analysed by the manufacturer. Therefore, the number of operators and their indicated qualifications are those most suitable to best perform the functions.

1.4 SAFETY DEVICES



This appliance can be used by children of at least 8 years of age and by people with reduced physical, sensory or mental capabilities, or insufficient experience and knowledge, provided that they are carefully supervised or instructed about how to use the appliance safely and the risks that this entails.



The use of non-original accessories or components endangers the safety of the machine. FAS disclaims any and all liability if non-original spare parts or accessories are used and is not accountable for any damages, direct or indirect, that may arise from such improper use. The variety of similar products that may be made available on the market prevents FAS from checking them. Caution: the use of components and spare parts that are not original may void the entire machine warranty.



The vending machine construction and analysis relevant to safety issues refer to the requirements in force.

The power supply wire is of the type with non-separable plug. If the connection cable needs to be replaced, the work must only be performed by qualified assistance-service personnel.

Any work other than routine maintenance should be performed with the unit disconnected from the power supply.



Always wear suitable clothing, as indicated herein and in the current national laws in force in the country where the machine is to be used. This is mandatory. Never wear loose, fluttering clothing, belts, rings and necklaces. Long hair should be gathered up under a special cap.

Never operate the machine with the fixed and/or mobile guards disassembled or with safety devices bypassed. This is strictly forbidden.

Never remove or tamper with safety devices. This is strictly forbidden.

Never perform any maintenance or adjustments unless you have thoroughly read and understood the contents of this manual.

Adjustment operations performed with reduced safety or with the safety devices partially bypassed must be performed by a single person and access to the machine by unauthorised persons must be prohibited during this time. As far as possible, only one guard should be bypassed at a time.



After performing adjustments or maintenance under reduced safety conditions, always reinstate all guards and correct machine operating status as quickly as possible.

Diligent performance of the periodic, scheduled maintenance indicated herein is required both to ensure operating safety and to keep the machine in good working order.

Check that the safety labels are in good condition and study their meaning: they are required to prevent accidents. If they have deteriorated, been lost or refer to components that have been replaced, they must be replaced by requesting original replacement labels from the manufacturer and they must be set in the exactly the same position as shown in this manual



Remember: a prudent operator in good physical and mental condition is the best insurance against any injury.



Using the wiring diagrams to make modifications is strictly forbidden.



Using a different number of workers, or persons with qualifications below those required, could endanger the personnel involved or anyone in the vicinity of the machine.



Food products must be dispensed by the vending machine in hermetically sealed packages. Comply strictly with the manufacturer's instructions regarding the expiry date of each product, and the conservation temperature. The vending machine should be considered equipment suitable for maintaining the temperature of the products, **NOT** for cooling them. For fresh and/or perishable food products, and in all cases provided for by the laws in force, it is necessary: to set the internal temperature of the vending machine in accordance with the laws in force; during transportation to the vending machine, to maintain the products at the temperatures provided for by the laws in force.



This vending machine is equipped with a "refrigeration safety device" complying with the fresh food conservation standards in force in various countries. It allows products to be maintained in the conditions specified in the manual, as long as they are inserted at the right temperature for their preservation as set forth in those standards. Failure to observe this rule might activate the refrigeration safety device.



To guarantee the correct operation of the vending machine, do not change the position of the drawers.



CAUTION:
The "T.A." (ambient temperature) version of the vending machine, without the refrigeration unit, **IS NOT** intended for the sale of foodstuffs.



In the event of fire, do not direct jets of water against the machine as this could cause short-circuiting and result in accidents, even fatal, for persons nearby.



Turn off the machine using the main switch and unplug it before starting any cleaning operations. Do not wash the vending machine with direct and/or high pressure water jets.



Never immerse the coin mechanism in water
Do not use abrasive materials
Do not use spray lubricants



Do not keep explosive substances - such as aerosol cans with a flammable propellant - in this appliance.



This appliance is intended for use in domestic and similar applications, such as:

- kitchen areas for staff in shops, offices and other workplaces;
- farm holiday centres and guests in hotels, motels and other residential venues;
- bed & breakfast and similar venues;
- catering and similar non-retail applications.




The unit must be connected to a power supply mains with earth connection compliant with current law. The manufacturer recommends providing an electric power supply mains for the vending machine which is equipped with a disconnecting device having a contact opening of at least 3 mm. Ensure that the plug is accessible after installation. Never use extension cords, adapters or trailing sockets.



CAUTION: when positioning the appliance, make sure the power cord is not trapped or damaged.

2 USE OF THE VENDING MACHINE FOR THE SALE OF FOOD PRODUCTS


	<p>CAUTION: To determine and set the conservation temperatures of the food products, comply with the instructions provided by the producer and by the relative laws in force. These operations must be assigned to adequately qualified personnel as defined by the person in charge of the equipment.</p>
---	---

The vending machine can be used for the sale of food products.

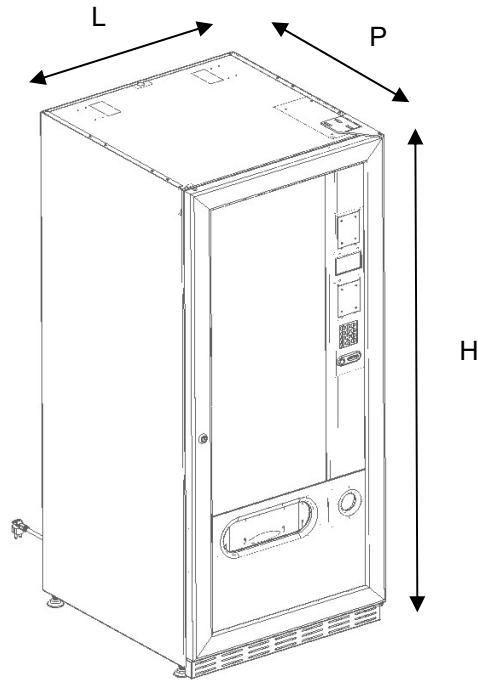
Some **examples** of food products that can be sold include:

- sweets, hazelnuts, chewing gum and similar sweets
- biscuits, crackers and similar oven-baked products
- foods with a pH level of 4.6 or less or with a water activity value (A_w) at 25°C of 0.85 or less
- foodstuffs maintained at a temperature of 5°C or lower for a period of time specified by the producer, but not more than 5 days
- foodstuffs packaged in hermetically sealed containers
- foodstuffs that have been treated to prevent deterioration

2.1 ESTIMATE OF THE IMPACT OF TEMPERATURE SETTINGS ON FOOD WASTE

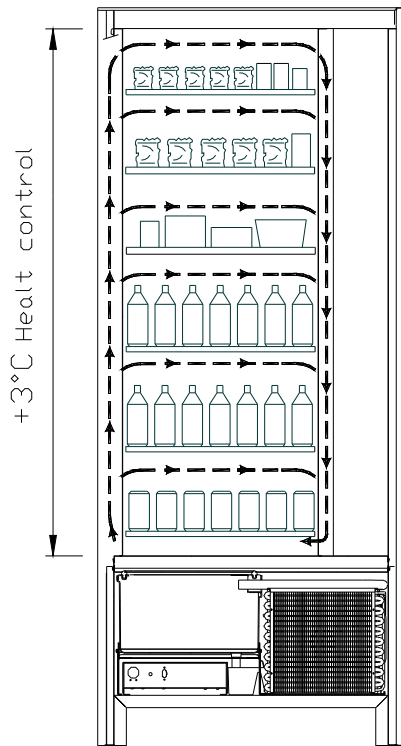
	<p>CAUTION: The use of the correct programming parameters will allow the food products to be stored until their natural expiry date, thereby minimising waste. An accurate HACCP analysis is also recommended however, to avoid refrigeration safety device (Health Control) settings that are too strict for the real external temperature parameters; remember that, by law, all perishable products must be thrown away every time the safety device is activated.</p>
---	--

3 TECHNICAL CHARACTERISTICS



Height	H = 1830 mm (YOUNG 183) H = 1700 mm (YOUNG 170)
Width	W = 750 mm
Depth	P = 790 mm
Weight (without packaging)	239 kg (YOUNG 183) 224 kg (YOUNG 170)
Rated voltage	see ID data-plate
Rated power	see ID data-plate
Limit environmental conditions for operations	Ambient temperature - max. 32°C Ambient temperature - min. 3°C Relative humidity - max. 65%
Refrigeration system	Compression - class N Cyclic defrosting
Vending system	FIFO
Delivery door	1
Max. weight per drawer	15 kg evenly distributed 30 kg evenly distributed (reinforced guides)
Weighted sound pressure level "A"	Less than 70 dB

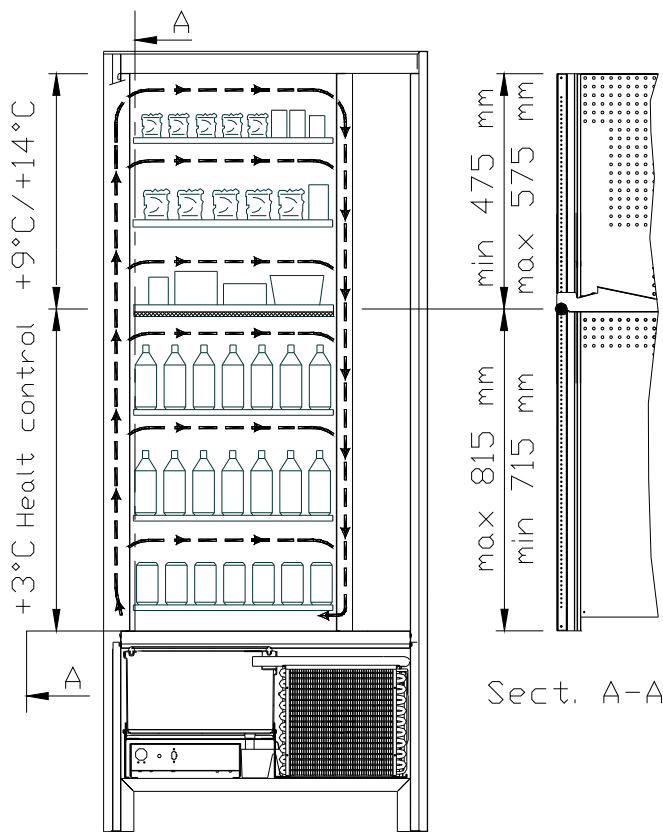
YOUNG 183 1T



- All the drawers can be set at a temperature of +3°C to ensure the good preservation of foodstuffs which are perishable at higher temperatures. In this area, in accordance with the “HACCP” (hazard analysis and critical control points) standard, a control device - called a "refrigeration safety device" - prevents the sale of products if the temperature at which the product may deteriorate has been exceeded.

Thanks to an electronic system, **YOUNG 2T** offers two areas with different temperatures:

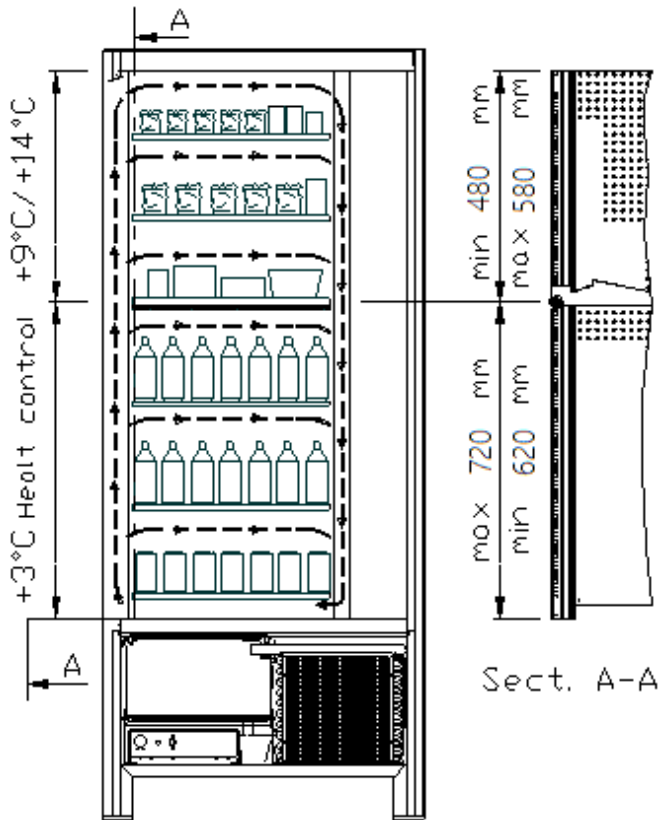
➤ **YOUNG 183 2T**



- **top drawer area** where the temperature is stratified from +9°C to +14°C; ideal for shelf-stable products.
- **bottom drawer area** where the temperature can be set at +3°C for a good preservation of perishable food substances which would not otherwise resist higher temperatures. In this area, in accordance with the “HACCP” (hazard analysis and critical control points) standard, a control device - called a "refrigeration safety device" - prevents the sale of products if the temperature at which the product may deteriorate has been exceeded.

The two areas are isolated from each other by an insulating panel.

➤ YOUNG 170 2T



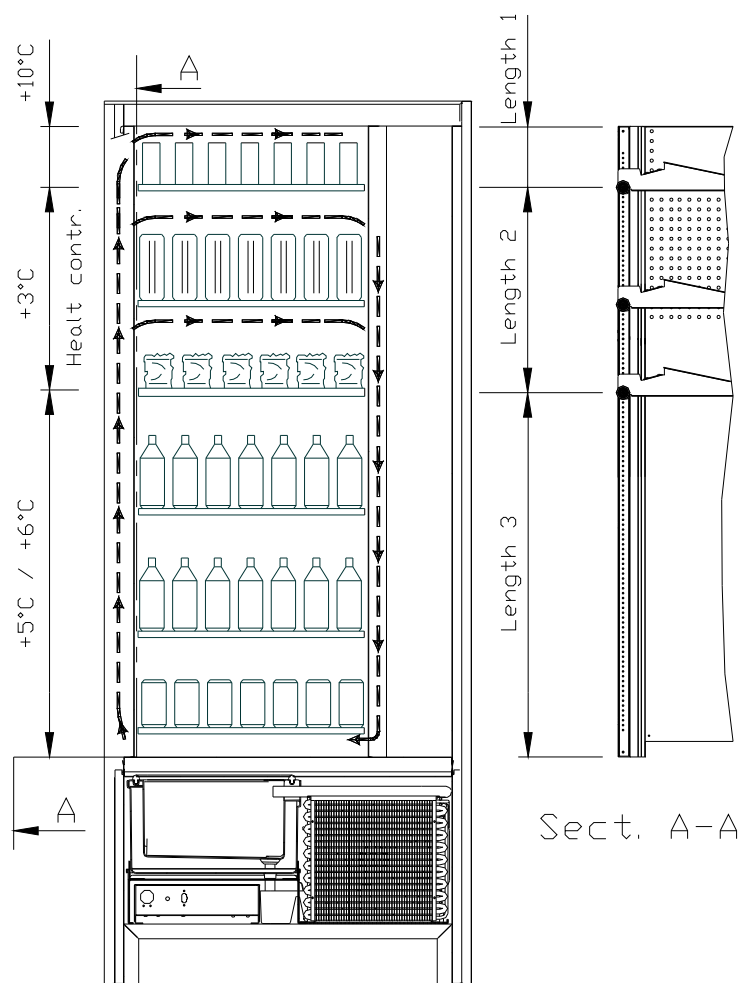
- **top drawer area** where the temperature is stratified from +9°C to +14°C; ideal for shelf-stable products.
- **bottom drawer area** where the temperature can be set at +3°C for a good preservation of perishable food substances which would not otherwise resist higher temperatures. In this area, in accordance with the "HACCP" (hazard analysis and critical control points) standard, a control device - called a "refrigeration safety device" - prevents the sale of products if the temperature at which the product may deteriorate has been exceeded.

The two areas are isolated from each other by an insulating panel.

YOUNG 183 3T (each product stored at the optimum temperature).

Thanks to an electronic system, YOUNG 3T offers three areas with different temperatures:

- **top drawer area** where the temperature is approx. $+10^{\circ}\text{C}$, which is ideal for shelf-stable products.
- **middle drawer area** where the temperature can be set at $+3^{\circ}\text{C}$ for a good preservation of perishable food substances which would not otherwise resist higher temperatures. In this area, in accordance with the "HACCP" (hazard analysis and critical control points) standard, a control device - called a "refrigeration safety device" - prevents the sale of products if the temperature at which the product may deteriorate has been exceeded.
- **bottom drawer area** where the temperature is approx. $+6^{\circ}\text{C}$, which is ideal for beverages and/or shelf-stable products.



4 DOOR COMPONENTS

- 1 **Display:** The total of the coins inserted in the slot, the selection reference, the price of the selection and all the operating messages appear on the display. If there is a problem with the vending machine the number of the current alarm appears on the display.
- 2 **Coin return button:** this button is used to release any coins jammed in the coin mechanism and return them to the coin return cup.
- 3 **Coin slot:** the customer inserts the credit required to purchase the product in this slot.
- 4 **Selection Panel:** the panel consists of a set of switches identified with letters and numbers. Simply enter the number corresponding to the desired product.
- 5 **Delivery door:** the customer collects the product selected from this enclosure.
- 6 **Coin return cup:** located on the lower part of the machine and used to give change.
- 7 **Door lock.**
- 8 **Skirting board.**

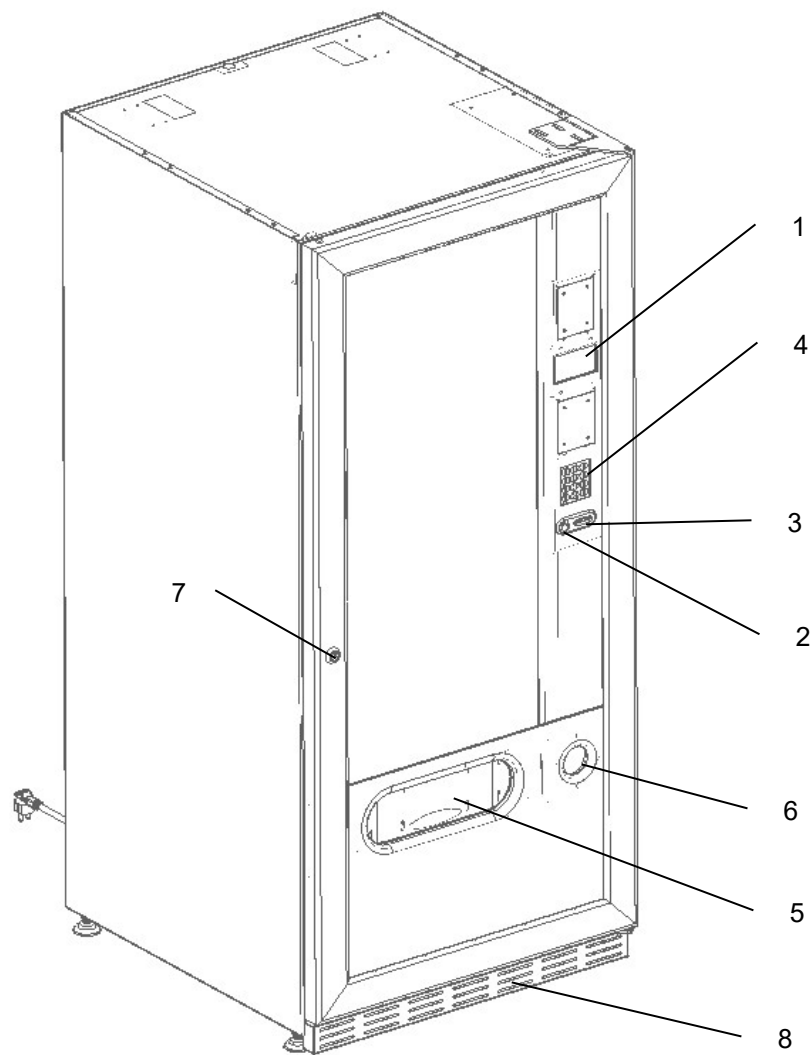


fig. 1

5 INTERNAL COMPONENTS

- 1 **Main board:** situated inside the coin mechanism box and manages the various functions of the vending machine.
- 2 **Refrigeration unit:** installed at the bottom of the cabinet, behind the collection pocket; it keeps the internal temperature of the vending machine at the set value.
- 3 **Electrical panel:** all the electrical connections, the power boards and the fuses are housed in the electric panel which is located in the lower part of the cabinet, behind the collection pocket.
- 4 **Door microswitch:** sends the "door open" signal to the board.
- 5 **Coin box.**
- 6 **DRAWER DISPLAY BAR:** a back-lit bar which clearly shows the price and selection number in correspondence with the product. (if present)

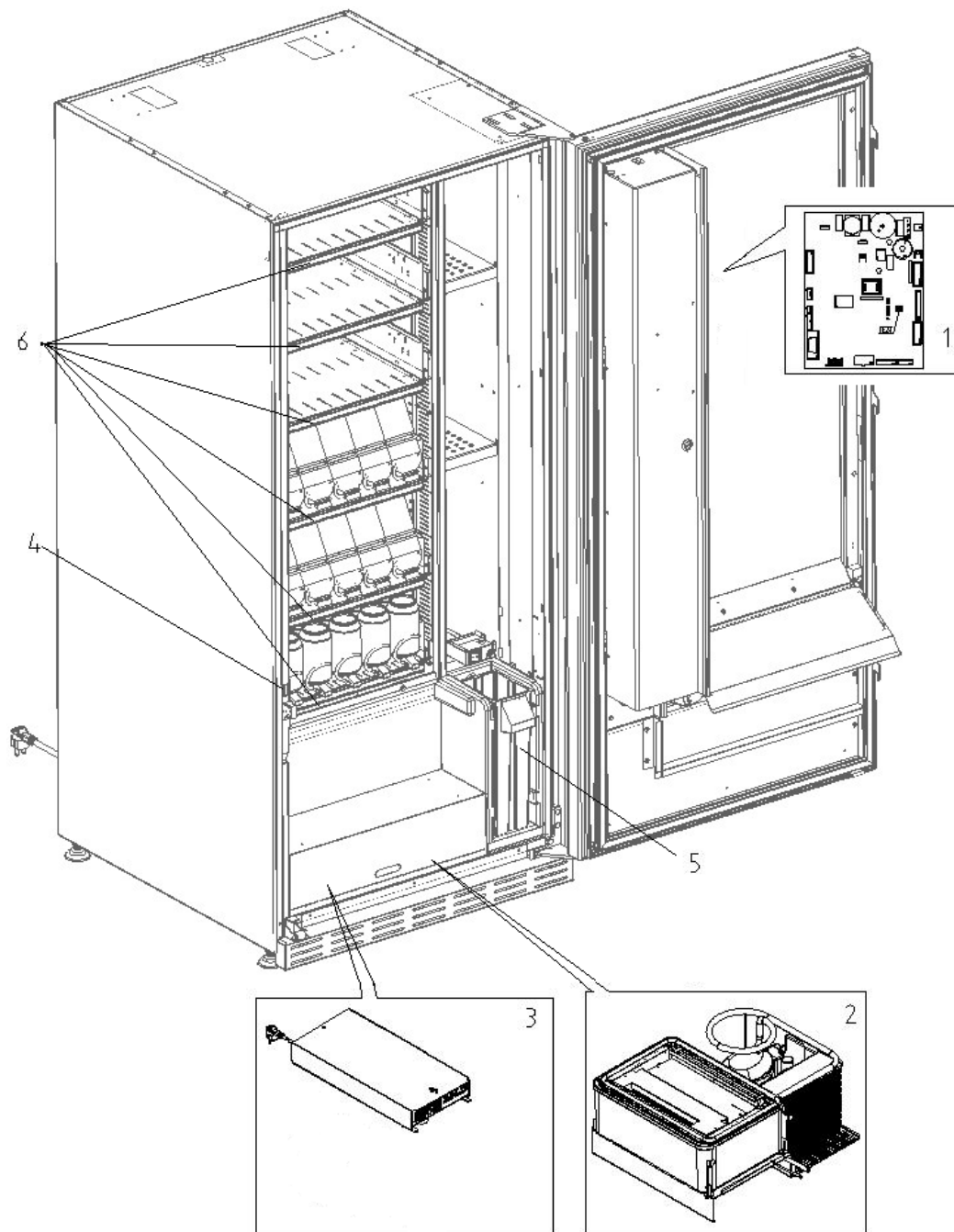


fig. 2

6 TRANSPORT, HANDLING, STORAGE AND UNPACKING



Examine the machine both inside and outside and notify the carrier immediately of any damage.

6.1 TRANSPORTATION AND STORAGE

In order not to cause damage to the distributor, the loading and unloading manoeuvring must be performed with particular care.

The loading/unloading manoeuvres must be carried out by lifting the machine with a lifting truck, either motor-driven or manual, and by positioning the forks in the area under the pallet.

To move the machine over short distances, for example inside a premises or office, the pallet need not be used. Proceed however with maximum caution to prevent damaging the machine. Instead, the following are always strictly **forbidden**:

- To lay the machine down;
- To drag the distributor with ropes or similar;
- To lift the distributor from the sides;
- To lift the distributor with any type of sling or rope;
- To shake the distributor and its packaging.



It is strongly advisable never to lay the vending machine on its side so as to ensure that the oil in the compressor does not leak from its seat. If it does, it would no longer be possible to guarantee the correct lubrication of the compressor itself and could lead to breakdown when starting up. If the vending machine is laid flat, place it in an environment with a temperature no less than 18°C and wait at least 2 hours before operating the machine again.

As to the storage of the machines, it is appropriate that the environment of conservation is very dry with temperatures between 0° and +40°C.

After having set the machine in a protected environment, cover it and avoid accidentally moving or bumping it. **Never** stack several packaged machines on top of one another, and keep in the vertical position as indicated by the arrows on the packaging itself.

6.2 UNPACKING

The packing material must be removed carefully to avoid damaging the machine. Inspect inside and outside the cabinet for any damage. Do not destroy the packing materials until the carrier's representative has examined them.



Remember to remove packing materials or equipment inside the vending machine which could affect the correct function of the machine.

To remove the machine from the pallet, simply loosen the 4 hexagonal-head screws (2 at the back of the distributor and 2 at the front) which secure the machine base to the pallet and which are reached by opening the door.

To ensure the correct circulation of air in the refrigeration unit, re-install the rear brackets which secure the vending machine to the pallet, upside down.




Always dispose of packing materials in an environmentally-friendly manner and in compliance with current law.




When lifting the vending machine, ensure that the supporting feet are removed from the pallet.


6.3 INSTALLATION 

The vending machine must be installed in a place (floor, intermediate floor) that is - or can be - aired, and that can withstand its weight.

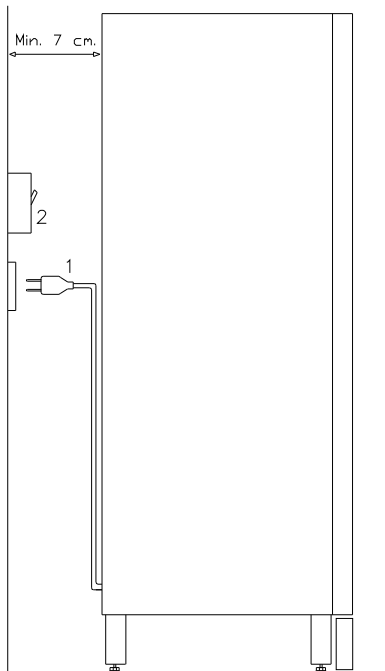
	The unit cannot be installed outdoors, must not be exposed to direct sunlight or installed where jets of water may be used. The unit can be installed in a place with ambient temperature ranging between 3°C and 32°C.
---	---

Check that the power of the whole electrical system is adequate for the maximum power of the machine (see plate). When in doubt, contact a qualified technician. Such personnel should also verify that the section of the plant cables are suitable for the power absorbed by the vending machine.

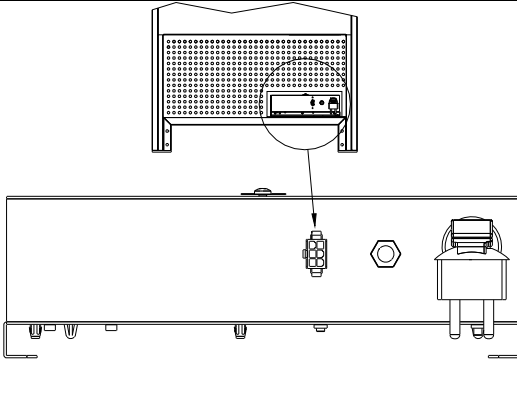
	<p>The following guidelines apply only to the United Kingdom.</p> <p>The cables are colour coded as follows: GREEN AND YELLOW - EARTH --- BLUE - NEUTRAL --- BROWN - PHASE</p> <p>As the colours of the wires in the unit cable may not correspond to the coloured markings on the terminals in your plug, proceed as follows: Connect the GREEN and YELLOW wire to the terminal which is marked E, bears the earth symbol, or is coloured either GREEN or GREEN and YELLOW. Connect the BLUE wire to the terminal which is marked N or is coloured BLACK or BLUE. Connect the BROWN wire to the terminal which is marked L or is coloured RED or BROWN.</p>
---	--

	The manufacturer cannot be held liable for damages resulting from failure to observe the above precautions.
---	--

- Once the connections have been made, the vending machine must be placed near a wall so that its back has a minimum distance of 7 cm from the wall in order to allow for regular ventilation.
- After having positioned the machine, adjust the four adjustable feet so that the machine is perfectly horizontal; all the feet should touch the floor.
- Mount the front leg cover.
- Check both the front leg cover and the mesh screens behind and under the refrigeration unit to ensure they are always clean and not blocked in any way.



Description of connections:
 1 "Schuko" plug
 2 Residual current circuit breaker

	<p>MASTER / SLAVE CONNECTION</p> <p>It is possible to connect a SLAVE machine to the MASTER machine. Using a serial cable and the connector installed on the back of the machine.</p> <p>It is also possible to connect a Stand-Alone in Slave mode, see command 49.</p> <p>If there is a slave vending machine, it must be connected to the master in order to work properly: in fact the operating parameters can only be set via the commands of the master machine. In particular, the temperature for the storage of perishable products is only guaranteed if the slave machine is connected to a master set with the correct programming parameters.</p>
---	--

- To switch on the machine, follow the instructions below. To connect the wiring cable. If the message "MEMORY CLEARED" appears on the display, press the button on the main board inside the coin mechanism box to initialise the memory. The message "DOOR OPEN" appears on the display. The vending machine will automatically start a self-test. If no errors are identified, the machine is ready to use.
- Program the machine (see the "PROGRAMMING" section), set the REFRIGERATION PARAMETERS (see the relevant paragraph) in accordance with the food products loaded into the automatic vending machine and set the prices.
- If the machine is supplied with a change-giving mechanism, insert the corresponding coins in the change-giving tubes.
- Load the machine with products (see the "Loading the products" section).

6.4 WARNING FOR INSTALLATION

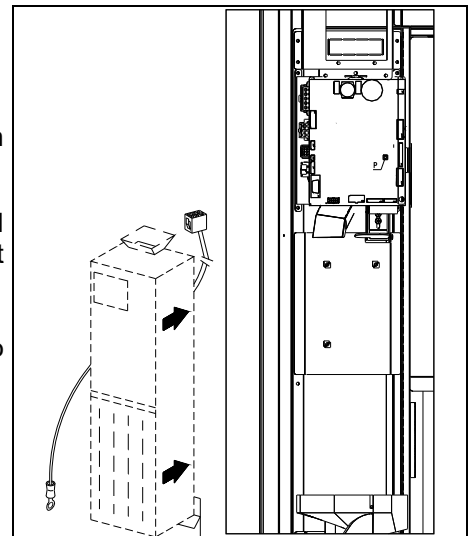
The machine is sold without a payment system. Therefore any damage to the machine or harm to people or property due to the incorrect installation of the payment system will be the exclusive responsibility of those who made the installation.

6.5 CONNECTING THE PAYMENT SYSTEM

The coin mechanism must be connected and disconnected with the machine switched off.


The connectors required to connect the coin mechanism are located next to the main board. The vending machine is set up for payment systems with EXECUTIVE, MDB and BDV protocols.

- Fasten the coin mechanism on the support between the two pins.
- Connect the coin mechanism connectors to the machine.
- Adjust the coin insertion chute on the coin mechanism opening.
- Adjust the coin return button leverage.



7 WARNING FOR SCRAPPING THE MACHINE

If the machine is disassembled in order to be definitively demolished, it is obligatory to follow the rules in force regarding the protection of the environment. All ferrous, plastic or similar materials should be taken to the authorised depots. Particular attention must be made to:

	<p>The gases (of any type - refer to the identification plate) in the refrigeration unit must be collected with suitable equipment by specialised firms.</p> <p>The insulation materials must be recovered by specialised firms.</p>
---	--

If you have any queries, you are recommended to contact the relevant local refuse disposal authorities.

8 OPERATION ON THE MACHINE

8.1 PRODUCT LOADING PROCEDURE FOOD ZONE

Once the machine has been installed and programmed, proceed as follows:

- 1) Open the door.
- 2) Pull out one drawer at a time, by holding it on the bottom and pulling outwards until you reach the stop point. The drawer will tilt downwards to facilitate loading.
- 3) Start the loading from front to rear and make sure all the spaces are loaded. The bottom of the product should be placed on the base of the division right above the spiral, with the label turned to the window so that it is recognisable by the customer. All products have to be easily placed in the spirals; do not introduce bigger objects. Spirals can have different pitches and therefore you should choose the spiral suitable for the product you want to vend, or vice-versa choose the product according to the spirals you have.
- 4) After loading all the drawers, make sure they return to the "STANDBY" position. Each spiral can be rotated by 45° at a time. Most of the products can be sold without trouble when the spiral end is positioned at 6 o'clock. For brik products, adjust the end 90° in advance.

NOTE: Products in bags or boxes must be correctly placed. The sealed edge of the bag may slip under the spiral wire, preventing the bag from falling. It is recommended to fold the edge forward and upward before inserting the bag in the space of the spiral. Products like cakes, biscuits and other fragile items should be placed in the lower drawers so they don't get damaged when they fall.

8.1.1 GUIDELINES FOR LOADING PRODUCTS

Check the TECHNICAL CHARACTERISTICS chapter to identify which configuration your automatic vending machine corresponds to, in order to identify the exact area controlled by the "refrigeration unit safety device". When the machine is switched on for the first time, wait approximately 12 hours for the machine to reach the operating temperature. In any case, check that the internal part of the machine has dropped below 4°C before placing the refrigerated products (see Command 66 and Command 67).

If the "refrigeration unit safety device" has tripped, the products in the selections that are out of order must be eliminated; also in this case, when the machine is switched back on again, wait for the machine to reach the operating temperature before placing the new refrigerated products inside it.

To remain within the safety limits for the refrigerated products, the total door-open time must be no more than 15 minutes. Consequently, all operations must be carried out as quickly as possible.

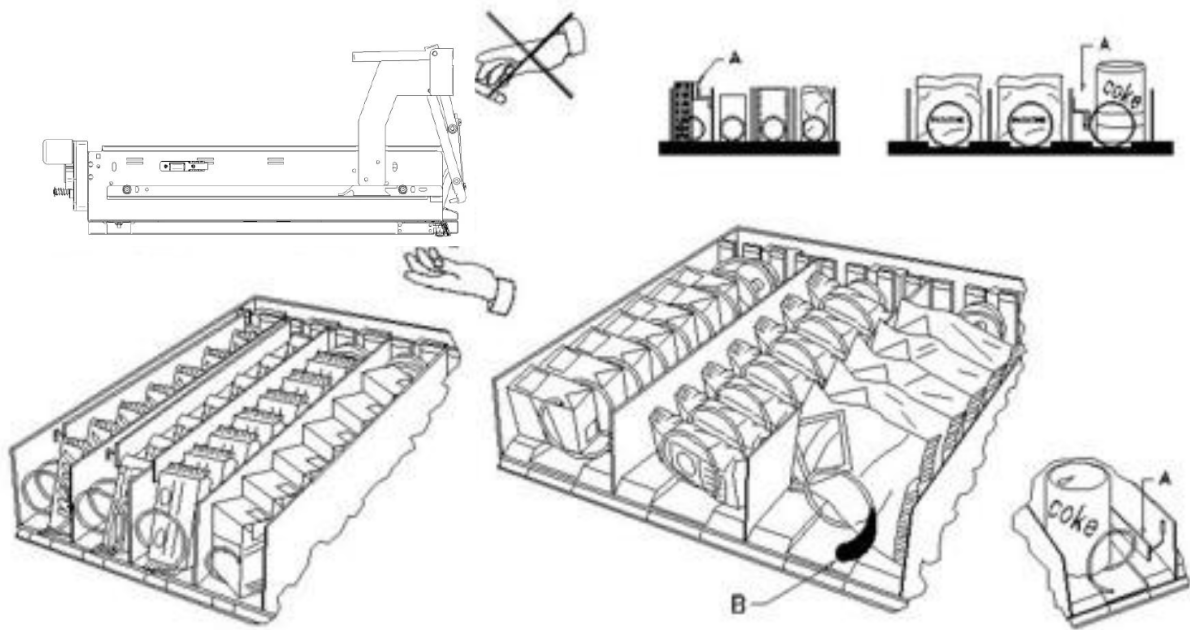


fig. 3

8.2 SPACER FOR PRODUCTS ON FOOD ZONE (fig. 3)

The spacers "A" should be used when "narrow" products are loaded. Place them so that they push the product freely against the right side of the division and the product stands straight.

To settle the spacer, pull forwards to narrow the space, pull backwards to widen the space. Leave 3 mm between spacer and product.

8.3 PRODUCT EXPELLER (fig. 3)

The expeller -B- can be used when there are products in packets, like crisps etc. The expeller will help them come out of the spiral. It is hooked up at the end of the spiral and acts as an additional part of the product to vend pushing it out of the drawer.

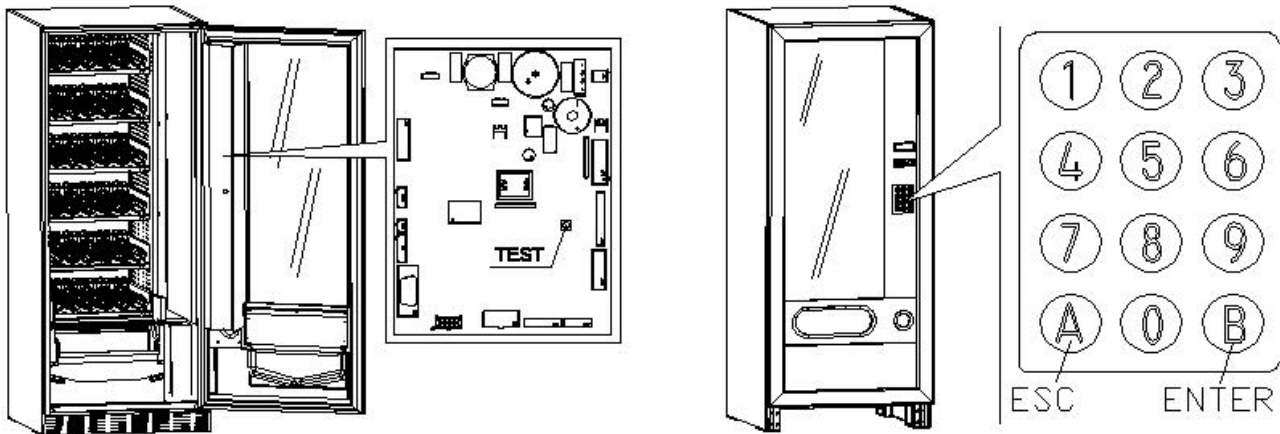
8.4 VENDING A PRODUCT

After loading the machine, setting the selling prices for each product, positioning the price labels, checking that the drawers have been turned in selling position, the machine is ready to vend.

- 1) Insert enough money to buy the product.
- 2) On the panel, enter the combination corresponding to the chosen product.
- 3) Take the product from the delivery door.

9 FUNCTION/PROGRAMMING KEYBOARD

Once the installation procedure has been completed, open the door then press and hold the “TEST” button on the main board for about 3 seconds, until the buzzer makes a long sound. This means that programming mode has been activated, and the words “**Command 00**” will appear on the display.



Direct access is possible from this main menu to several data or other sub-menus. Enter the command on **Direct selection keypad** and press **key B (ENTER)** to confirm the selection.

Key **B** is also used to confirm and memorise data entered via the keyboard; in this case the text message “**OK**” appears on the display for a few seconds. To exit the programming or to go from a sub-menu to a main menu simply press **key A (ESC)**.

Attention: if the “TEST” button is released before the defined time, the vending machine goes into “Check selections” mode (described below). If this happens, quit this mode by pressing the “TEST” button again, then repeat the procedure to access programming mode.

Every time the door opens, the selections, if present, that are out of service or not in “home position” (having executed a quarter turn) will appear on the display (see Command 76). The selections can be reset (by rotating them) by pressing button “B”. If the door is closed again without having reset all the selections, the event is recorded as an error displayed in Command 99 with code number 91.

CAUTION: rotating the selection to reset it with the door open could cause the product to fall to the ground.

N.B.: with SLAVE SPIRALS connection enabled (see command 49), after the MASTER machine display, access is gained to the display of the same data relevant to the SLAVE machine by simply pressing the A (ESC) button.

9.1 CHECK SELECTIONS

A working test can also be run on the machine by pressing the test button on the main board; the words “**SELECTIONS OK**” will appear on the display. As an alternative an identifier (ex. 12, 14...) could appear to indicate that an irregularity has taken place during the functioning and that the spirals indicated are out of order. Carry out the selection shown on the display to reset. If there is an operating error during the test, the spiral identifier will remain on the display; otherwise the test will move on to the next spiral that is out of order. If all the selections are OK, the relative message will appear on the display. All the selections can be tested in this phase, by keying in the relative identifier. At the end of the test, just press the test button on the main board again to return to normal operation.

N.B. to avoid any possible errors, the machine returns to normal operation automatically after about 1 minute of test mode activation, if no selection is made in that time.

If during the test or the reset there should happen some errors, it means that the anomaly is not occasional but could result from the breakage of some parts and a technical intervention is required.

9.2 LIST OF PROGRAMME COMMANDS

ACCESS TO SUB-MENUS

Command	01	Machine test
Command	02	Calls sub-menu for setting the clock & daily timers
Command	03	Recall of price setting sub-menu
Command	04	Calls sub-menu for setting discounted prices
Command	05	Recall the price reference setting sub-menu
Command	06	Setting the product code
Command	07	Display of sales for full price selection
Command	08	Displays sales for selection discounted price
Command	09	Displays totals cashed not clearable
Command	10	Displays totals clearable
Command	11	Selection sequence setting
Command	15	Concatenated menus
Command	25	Enable change unit motor and coin input micro
Command	26	Child-proof device activation (if present)

COMMANDS 27-39

Mode EXECUTIVE	<i>see paragraph: USING THE EXECUTIVE STD/EXECUTIVE PRICE HOLDING PAYMENT SYSTEMS.</i>
Mode BDV	<i>see paragraph BDV.</i>
Mode MDB	<i>see paragraph MDB.</i>

SETTING THE REFRIGERATION PARAMETERS

Command	40	Enable heated double-glazing and fridge unit selection on MASTER and SLAVE
Command	41	Set cabinet temperature
Command	43	End defrosting temperature setting
Command	44	Set defrost cycle frequency
Command	45	Set the cut-out duration for the refrigeration safety device
Command	46	Set the trigger temperature for the refrigeration safety device
Command	48	Set trays with refrigeration safety device

SETTING THE MACHINE PARAMETERS

Command	49	Enable/disable slave spirals
Command	50	Machine configuration (number of selections/pusher drawers/ drive time-out)
Command	55	Price display bars enable multifunction (if present)
Command	56	Price display bar operating options (if present)
Command	58	Mode enable confirms selection or pre-selection
Command	59	Stroke counter
Command	60	Erase the memory
Command	61	Reset security/access code
Command	62	Enable discount
Command	63	Set the mono/multivend and overpay option
Command	64	Set the message display language
Command	66-67	Internal temperature and evaporator temperature display
Command	68	Set displayed currency description
Command	69	Set payment system
Command	70	Buzzer operation option/Graphic display background
Command	73	Enable the photoelectric cells
Command	74	Photocell test
Command	75	Set the operating parameters of the photocell barrier
Command	76	System operating options ("FTC options")
Command	80	USB management menu
Command	85	Display of checksum and main and power board software version.
Command	88	Product heating enabling on WAVE MODULE (if present):
Command	90	Select the AUDIT / telemetry enabling / interim data deletion protocol
Command	91	Enter machine identification data
Command	92	Clear sales data

- Command 95** Set the display functions (user message box/internal slide show/USB slide show)
Command 99 Access to the event display menu

9.2.1 ACCESS TO THE SUB-MENUS

Command 01 Machine test:

This is used to perform the test relative to the various selections. By entering 01 then pressing key B, the message "Selection no. 00" appears. Set the number of selections present in the machine (number of motors) and press B. The machine will check the selections that are effectively present (Test 12). If the number found does not correspond to the value set, the message "CONFIG ERROR" appears on the display. This indicates that one or more of the selections is not connected electrically. In this case, check the wiring. If however the number of the selections found corresponds to the value set, 3 vending cycles for each selection are performed. If during this phase, an anomaly in the function of a selection is encountered, the test is blocked and the corresponding selection code remains visualised on the display. If the test is performed successfully, the machine returns to the main programming menu (command 00).

Command 02 Calls sub-menu for setting the clock & daily timers:

Type 02 and press ENTER, the menu appears on the display and the following options are available:

1. **Date/Time**
2. **Weekly Timers**
3. **Lighting Options**

1. Date/Time:

This command is used to set the clock on the VMC card: date, time and day of the week (the date is in year/month/day format YYMMDD).

It also sets the option to display the clock on the fifth line of the display).

2. Weekly timers:

The weekly timer settings sub-menu is accessed, which has the following options:

1. **Energy saving**
2. **Discount for certain time slots**
3. **Machine inhibition/selections**

1. The first parameter is the activation/inhibition (1/0) of the "energy saving" option. If the option is enabled, because the timer is weekly, you are asked to choose the day by scrolling through the values using any number key and confirming the selection by pressing "B". it is then possible to set 3 daily periods when this function is enabled/inhibited.

Then, 3 options are available: 1. Copy the programmed time slots to the next day; 2. Copy the programmed time slots to all days of the week; 3. Change the time slots of the same day.

2. The first parameter is the activation/inhibition (1/0) of the "Discount for certain time slots" option. If this option is enabled, the sequence described in the previous paragraph is repeated.

3. In this case as well, the first parameter is the activation/inhibition (1/0) of the "Machine inhibition/selections" option. If the option is enabled, the sequence described in point 1 is repeated.

Afterwards, you set the application of inhibition for the whole machine or only partially; in the latter case you have to set for which selections you want to apply the time-dependant inhibition.

3. Lighting Options

Use this command to set light completely off = 0, or reduced brightness = 1, during the energy-saving bands (see Alarm 11). The system then asks you to set the "door open, LED off" option: 1 = enabled, 0 = not enabled.

Command 03 Recall of price setting sub-menu (you see also Command 69):

Enter 03 and press **ENTER**, to recall the sub-menu for price setting of each selection, and '**Selection number 0**' appears on the display.

Enter the number of the selection for which you wish to display or edit the price and press **ENTER**. The text '**Price.....**', appears on the display, then enter the new price value and press **ENTER** once again to memorize it, or press the **ESC** key to return to the main menu without saving the changes.

To set the price of selection 6 at € 1.20 proceed as follows:

- Programming mode, Command 0 appears on the display
- Type 03 and press ENTER, Selection number 0 appears on the display
- Type 6 and press ENTER, the current price of Price No. appears on the display.
- Set the value 120 and press ENTER.

Alternatively, prices can be programmed by drawer: selection 91 implies that all the selections in the first drawer from the top have the same set price. Selection 92 = 2nd drawer; 93 = 3rd drawer; 94 = 4th drawer; 95 = 5th drawer; 96 = 6th drawer; 97 = 7th drawer. If you program a price in selection 99, the prices for all the selections in the vending machine will be converted to the same set price.

Programming the value of the full prices changes the value of the corresponding discounted prices by making them the same. Consequently, when selling with different prices, that is with a discount, firstly program the full price then the discounted prices and never vice versa or only one of the two.

N.B.: with the SLAVE SPIRALS connection enabled (see command 49), once the MASTER machine settings have been completed, press ESC to access setting mode for the same parameters on the SLAVE machine.

Command 04 Call up sub-menu for setting discounted prices:

This command has the same functions as command 03, but it shows the discounted prices.

In the MDB mode, these prices refer to key or credit card purchases or purchases made within a certain time band, or both (see description Command 61). Furthermore, if the MDB cashless system allows the product to be selected from two different price tables, this command is used to set the prices relative to table 2. The prices relative to table 1 are set at Command 03.

Alternatively, prices can be programmed by drawer: selection 91 implies that all the selections in the first drawer from the top have the same set price. Selection 92 = 2nd drawer; 93 = 3rd drawer; 94 = 4th drawer; 95 = 5th drawer; 96 = 6th drawer; 97 = 7th drawer. If you program a price in selection 99, the prices for all the selections in the vending machine will be converted to the same set price.

N.B.: with the SLAVE SPIRALS connection enabled (see command 49), once the MASTER machine settings have been completed, press ESC to access setting mode for the same parameters on the SLAVE machine.

Command 05 Recall the price reference setting sub-menu:

This command is used exclusively to set the prices in the coin mechanism.

Type 05 and press ENTER to access the price reference setting menu and '**Selection Number 0**' appears on the display. This sub-menu makes it possible to allocate a price number to each selection. Type the selection identification code and press ENTER; the **number** of the price allocated to the chosen selection appears, type the **number** of the new price to be allocated to the selection and press ENTER to memorize it or press ESC to return to the sub-menu without saving the changes. Repeat the procedure for another selection or return to the main menu by pressing the ESC key.

If, for example, you want to allocate price number 8 to selection 6 simply carry out the following procedure:

- Programming mode, Command 0 appears on the display
- Type 05 and press ENTER, Select. number 0 appears on the display
- Type 6 and press ENTER, the current price num. parameter appears on the display
- Type 8 and press ENTER.

Command 06 Setting the product code:

This command makes it possible to allocate a 4-digit product code to each selection. This code will then be sent to the RS232 output together with the sales statistics.

N.B.: with the SLAVE SPIRALS connection enabled (see command 49), once the MASTER machine settings have been completed, press ESC to access setting mode for the same parameters on the SLAVE machine.

Command 07 Display of sales for full price selection:

Use this command to access the sub-menu which displays the number of sales for each selection; '**Selection number 0**' appears on the screen. Type the identification code for the selection for which you are interested in viewing the sales data.

Press the ENTER key and the desired value appears on the display. Press ESC to return to the sub-menu from which it is possible to display the number of sales regarding another selection by repeating the above said procedure. Press ENTER a second time to return to the main menu.

N.B.: with the SLAVE SPIRALS connection enabled (see command 49), once the MASTER machine has been visualised, press ESC to visualise the same data for the SLAVE machine.

Command 08 Displays sales for selection discounted price:

Use this command to enter the sub-menu to display the number of sales per selection with full price. The display shows '**Selection number 0**'. Key in the code identifying the selection of which you want to know the data of sales and press ENTER to display the requested value. Press ESC to return to the sub-menu from which it is possible to display the number of sales regarding another selection by repeating the above said procedure. Press ENTER a second time to return to the main menu.

N.B.: With the SLAVE SPIRALS connection enabled (see command 49), after the MASTER machine display, access is gained to the display of the same data relevant to the SLAVE machine by simply pressing the ESC button.

Command 09 Displays totals cashed not clearable:

Use this command to display the totals regarding the transactions carried out from the initialization of the machine. The available data are the following:

Total sold, tot. in counter, tot. in tubes, tot. banknotes, tot. given back, tot. given out manually by the tubes, tot. cashed overprice, tot. discounted sales, tot. sales with system cash less, tot. sold with exact amount, tot. cashed without sales, number of sales carried out, total value of the free vends, total number of the free vends.

Command 10 Displays totals clearable:

This command has the same functions as command 09, but it can be cleared through command 92.

Command 11 Setting the selection sequences:

The function of this command is to set the dispensing of the same type of product in order to obtain a uniform and progressive emptying of the tray, irrespective of the customer's choice.

Initially the command asks the operator to enable (option 1) or disable (option 0) the function.

If the option is active (1) the system asks the operator to enter the first selection that forms the sequence, then asks the operator to assign a product code and price. Confirm each time by pressing ENTER. Add the remaining selections that are part of the same sequence. Press ESC to conclude and confirm the first sequence. At this point, another sequence may be entered, or exit the command by pressing ESC a second time.

Command 15 Linked menus:

WHAT THEY ARE FOR:

linked menus are for selling groups of products (up to a maximum of 3) while entering a single selection.

There are two ways of programming these groups of products. These ways are defined as:

1. pre-composed menus
2. menu to compose

Example of "pre-composed menus":

Step 1: the system asks for the functionality to be enabled: 1 = enabled; 0 = not enabled.

Step 2: if the system is enabled, the request to name the new menu numerically will appear on the display.

The numbers from 81 to 89 can be used. At this point, the system asks you to enter the full price followed by the discounted price.

Step 3: the system asks you to select the first group. Enter the selection number and confirm with button "B"(enter), then press "A" (esc) and the system will ask you to enter the selection of the second group. Enter the selection number and confirm with button "B"(enter), then press "A" (esc) and the system will ask you to enter the selection of the third group. Enter the selection number and confirm with button "B"(enter). At this point, the system will ask you to enter the second menu (e.g. 82, given that the available numbers run from 81 to 89).

Example of a "menu to compose":

Step 1: the system asks for the functionality to be enabled: 1 = enabled; 0 = not enabled.

Step 2: if the system is enabled, the request to name the new menu numerically will appear on the display.

The numbers from 81 to 89 can be used. At this point, the system asks you to enter the full price followed by the discounted price.

Step 3: unlike the "pre-composed menu", several selections can be entered for every group. Up to three selection groups can be entered. In this way, the end user can make up a menu with various products.

NOTES:

photocell operation is excluded when the menu selections are enabled for selections 81-89.

Command 25 Enable change unit motor and coin input micro (if present):

Step one: the system asks if you want to enable the motor that acts on the change unit. Value 1 = enabled; value 0 = not enabled. Default value = 0.

Step two: the system asks if you want to enable the presence of the microswitch that acts on the coin input. Value 1 = enabled; Value 0 = not enabled. Default value = 0.

Step three: the system asks if you want to set a change unit motor cycle (at time intervals expressed in minutes) for the period when the vending machine is unused. A single cycle can be programmed for minimum 2 min, up to maximum 250 min. Default value = 0 = cycle not enabled.

Command 26 Child-proof system activation:

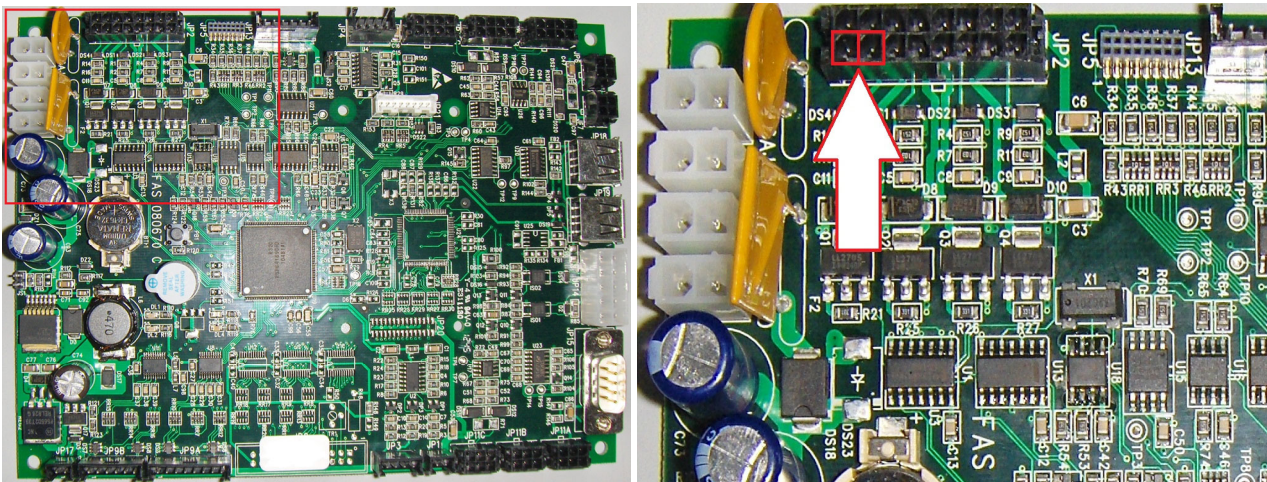
If a child-proof device is fitted on the machine, it can be managed via this command thanks to an electrical contact.

Step one: enabling control of the childproof device is requested. Value 1 = enabled; value 0 = not enabled.

Step two: the system asks which selections must be subject to sales restrictions.

ELECTRICAL CONNECTION OF THE CHILDPROOF DEVICE:

The connection must be made between a normally-open contact of the childproof device and the 2 pins of connector JP2 connector on the main board, shown in the figure.



Main board Detail of connector JP2

Use connector type Molex micro-fit 3.0 part no. 43025-1600 for the connection.

9.2.2 SETTING THE TEMPERATURE PARAMETERS

Command 40 Enable heated glazing and selection of the refrigeration unit on SLAVE:

This command allows you to set the model of the refrigeration unit with or without defrost solenoid.

Then, you will have the option to enable (value set to 1) heating the double-glazing if the glass has an incorporated resistance, or disable this device (value set at 0). If the command is set at 1 it will be possible to manage the time bands for turning the demister resistance on and off during the day.



The command setting **MUST BE** consistent with the machine model otherwise the machine will not function correctly.

Command 41 Sets cabinet temperature:

This command sets the lower internal cabinet temperature of the machine, i.e. the temperature below which the compressor is turned off. The pre-set value is +3°C, but it can be varied between +2 and +25°C.

The system then requests enabling (if present) of the kit named "environment probe". Default value 0 = function disabled. Value 1 = function enabled. If the value = 1, this command displays the value measured by the environment probe.

To purchase the kit contact the area sales manager.

*N.B.: with the SPIRAL SLAVE connection enabled (see **Command 49**), after setting the MASTER machine, the same parameters for the SLAVE machine can be set.*

Command 43 End defrosting temperature setting:

Every time the compressor pauses, the temperature of the evaporator is controlled by the evaporator feeler. This command allows the evaporator temperature to be set, above which, after dripping, the compressor can restart operating; this is to ensure complete defrosting of the evaporator itself. The command is pre-set at 3°C and can vary between 3°C and 12°C.

*N.B.: with the SPIRAL SLAVE connection enabled (see **Command 49**), after setting the MASTER machine, the same parameters for the SLAVE machine can be set.*

Command 44 Sets defrost cycle frequency:

This command sets the defrosting frequency expressed in hours, that is, the time between one defrosting cycle and the next. This value can be varied from 1h to 8h, and is pre-set at 4h.

*N.B.: with the SPIRAL SLAVE connection enabled (see **Command 49**), after setting the MASTER machine, the same parameters for the SLAVE machine can be set.*

Command 45 Setting the cut-out duration for the refrigeration safety device:

This command sets the amount of time that the refrigeration safety device is to remain disabled. This period of time prevents the vending machine from shutting down following an operation that involves having the door open with the subsequent increase in the internal temperature. The delay in activating the refrigeration unit safety device gives the machine time to return to its normal operating temperature. The value of this command is pre-set at 60 min, but can be varied from 30 to 360 min.

*N.B.: with the SPIRAL SLAVE connection enabled (see **Command 49**), after setting the MASTER machine, the same parameters for the SLAVE machine can be set.*

Command 46 Setting the trigger temperature for the refrigeration safety device:

This command sets the trigger temperature for the safety device, that is the temperature above which it prevents the machine from vending the selected product (see Command 48). A warning message appears on the display when the user attempts to make one of these selections. This control is disabled when the machine is switched on and after the door is shut for a period of time set on command 45. The pre-set value is +7°C, but it can be varied from +7°C to +35°C. When the refrigeration unit safety device trips, the selections involved remain out of service. To reset the refrigeration unit safety device: with the door open, the event that occurred on the master vending machine or on the slave machines connected to it, appears on the display of the master vending machine. Press ENTER on the external keypad to reset. If you press the ESC button or close the door, the action remains active and is recorded as ERROR 93. If the refrigeration unit safety device is still active when you close the door, an acoustic alarm (series of BEEPS) will automatically begin to sound.



Products must be inserted at the correct temperature for preservation as specified by the regulations in force. Failure to observe this rule might activate the refrigeration safety device. **See the paragraph "GUIDELINES FOR LOADING PRODUCTS"**

*N.B.: with the SPIRAL SLAVE connection enabled (see **Command 49**), after setting the MASTER machine, the same parameters for the SLAVE machine can be set.*

Command 48 Setting drawers with refrigeration safety device:

Allows you to select the drawers covered by the refrigeration unit safety device. The command requests you select, for each drawer, enabled for safety device = 1, or disabled = 0. Drawer 1 refers to the first one from the top. By default, all the drawers are set at 1.



For the machine to function correctly the drawers to be set with the refrigeration unit safety device must be located inside the 3°C area (see the para. TECHNICAL CHARACTERISTICS).

*N.B.: with the SPIRAL SLAVE connection enabled (see **Command 49**), after setting the MASTER machine, the same parameters for the SLAVE machine can be set.*

9.2.3 TO SET MACHINE PARAMETERS

Command 49 Enabling/Disabling slave spirals:

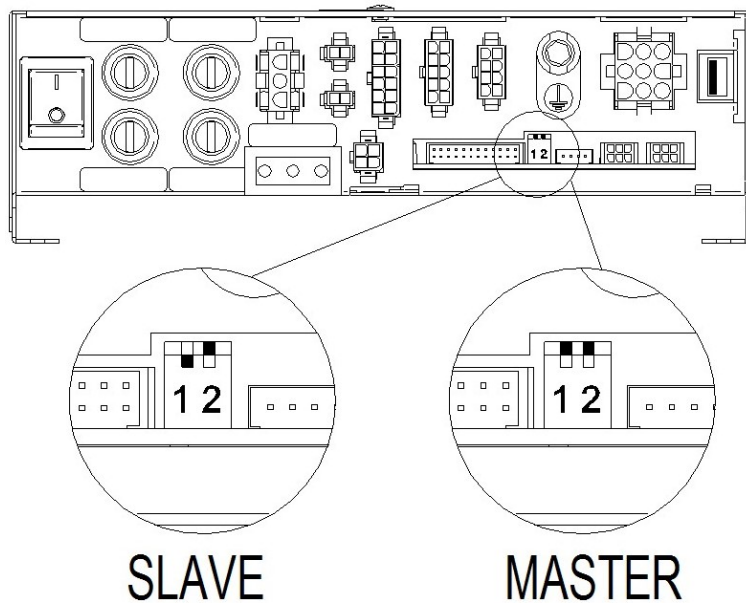
This command enables the master/slave connection. It is possible to connect one slave snack machine.

Command 40 must be set after the connected slave machine has been enabled.

To make a stand-alone machine work as a slave:

- Switch the machine off via the main switch, and take out the plug.
- Disconnect the connector from the JP11A socket on the main board.

- Make the Master/Slave connection with the serial cable, inserting the connectors in the sockets on the back.
- Name the machine by means of the dip-switch on the electrical panel, aligning the notch with the relative position as shown in the adjacent figure. To access the electrical panel, refer to: ACCESS TO THE ELECTRIC PANEL AND REFRIGERATION UNIT.



Command 50 Machine configuration (number of selections / pusher drawers / drive time-out)

This command lets you memorize the number of selections (garmotors) in the machine. As a consequence, every time the machine is turned on, a comparison is made between the memorized configuration and the detected one, and any discrepancy will be indicated on the display. The configuration command must be executed every time a modification is made to the machine that envisages the addition or elimination of garmotors.

The next step allows you to configure the pusher drawers. It is sufficient to enter the drawer number, 1–7, starting from the top and setting the parameter to 1. (ATTENTION: the parameter must be set at zero if the pusher drawer is replaced by a spiral drawer).

In the case of pusher drawers you are also asked to enter the product thickness in millimetres for every selection. This is a safety expedient in case of failure of the product drop photocell and translates into a garmotor operation time-out (selection 99 makes it possible to set a simultaneous time-out for all the selections).

Command 55 Price display enable multifunction:

(if present)



To set the following option **ONLY**, press the "Programming" button twice (the buzzer will sound), to access the second menu level. The display shows "Command 00". To exit programming mode, press the button "ESC".

NB: if **Command 55** is programmed at the first level of the menu, steps "one", "two" and "seven" will be available.

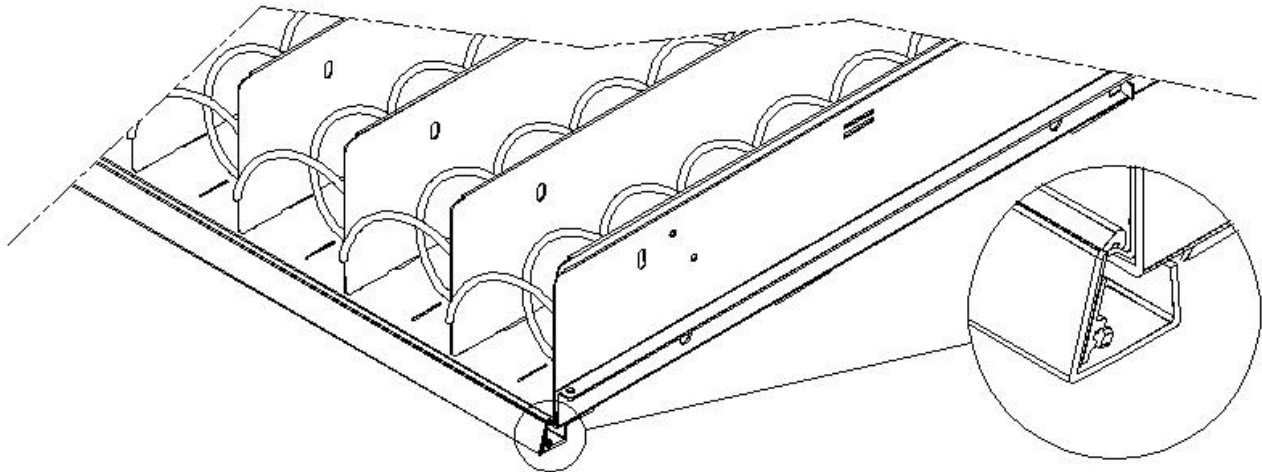
Programming at the second level is normally done when the kit is installed, every time one or more price display bars are installed, or when the drawer configuration is changed.

To change the prices, follow the instructions given in the use and maintenance manual. Every time the prices are changed, when you close the door they are automatically updated on the display bar screen.

Step one: the system requires enabling of the functions: 1 = enabled; 0 = not enabled. If the connection between the price display and the display control board is not interrupted, the checksum and software version of the board appear on the display; to continue the setting of the other steps, press button “ENTER”.

Step two: next you are requested to indicate on which drawers the price bar display is installed. Confirm the presence for each drawer (1 = present; 0 = not present). Drawer 1 refers to the first one from the top. The request covers all the configurations up to a maximum of 7 drawers.

Step three: on the door display, a request appears for each drawer, to allocate the corresponding address to each price display bar.



Press the button on the price display bar located on the right hand side, as highlighted in the figure. At each allocation you will hear a beep to indicate that the allocation has been successful.

Step four: the system asks you if you wish to change the machine configuration (e.g. from single spiral to double spiral). Press “ESC” if the configuration remains as it is, press “B” if you wish to change it.

Step five: set the number of selections present in the vending machine (number of motors).

Step six: the system displays, on the display bar, the detected configuration. If the configuration is correct press “ESC”, otherwise if you press “ENTER”. In this case the system makes it possible to configure each drawer: enter the number of the drawer and select the type (“standard”, “sandwich” or “custom”, depending on the mechanical configuration of the drawer itself) with key 1, then press ENTER to save the selection. The result will appear immediately on the display bar. If the configuration is correct the wording associated with each selection will be centred with regard to the partitions that delimit each selection. If you select the “custom” drawer, you must enter the number of display bar characters reserved for each drawer selection (in this case, the result will again appear on the display bar). Press ESC at the end of the drawer configuration procedure to pass to the next step

Step seven: the system asks for the price inserted for the selection to appear on the price display bar. Press ENTER to execute the function

Command 56 Setting the back-lighting parameter:

For each price display bar, you set the back-lighting value in stand-by mode: value 3 = maximum lighting; value 2 = 75% lighting; value 1 = 50% lighting; and value 0 = 25% lighting.

The price display bar contrast must now be set. The default value is 9 and can range from 1 to 16. Press the key 1 on the keypad to increase the contrast and key 2 to reduce it.

Then set the display bar product description option when the door is opened; if you set parameter 1, the previously programmed description will be displayed in correspondence with each selection when the main door is opened (programming is done by means of the “VMC-configurator live” tool).

Sets the option for displaying promotional messages. The latter are text strings displayed on the bar display in correspondence to each product in alternation with the price of the product.

To enter the 20 text strings with promotional messages into the machine, refer to command 80 under “Machine Cloning”, points 3 and 4.

If the promotional messages option is enabled, access the function that allows you to associate one of the 20 promotional messages previously stored in the machine to each selection. (Note: to delete a message from a selection, you just associate a string of spaces to the selection. One of the 20 strings should be a text of only spaces).

After associating the texts to the selections, you can set the display mode of the promotional messages. There are 4 options; ON MODE (always on) OFF MODE (always off) BACKLIGHT BLINKING MODE and TEXT BLINKING MODE; scroll through the options using any number key and confirm by pressing "B".

Similarly, you can set the display mode for displays that do not contain promotional messages.

The next required parameter is the time, in seconds, to display the promotional messages.

The last parameter is the inhibition time of the promotional messages, i.e., the length of time the product price is displayed for.

Command 58 Mode enable confirms selection or pre-selection:

You can enable the "request selection confirmation" function: in this case, you are expected to confirm each selection made with the "B" key before transaction and dispensing. Then, you are asked to set the time to wait for the "confirm" button to be pressed before cancelling the selection made.

As an alternative to the previous function, you can enable the "pre-selection" function and related waiting time. In this case, after making the selection, the machine waits for payment, for the time-out set, to make the sale.

Command 59 Stroke counter:

If the command is set at 1, the stroke counter appears every time the door is opened.

Command 60 Erases the memory:



Activation of this command cancels all the data programmed by the user and the new default parameters determined by the manufacturer are automatically set.

In response to this command the screen displays **Code 0000**. Enter the figure 6203 then press the ENTER key to cancel all the data stored in the vending machine's memory. The procedure to cancel the data from the memory is as follows:

- Programming mode, Command 0 appears on the display
- Type 60 and press ENTER, Code 0000 appears on the display
- Type 6203 and press ENTER, 'memory cleared' appears on the display

Note: To exit from the command press the button on the VMC board once.

N.B. Before deletion, the counters for cash flow and sales per selection are saved. They can later be retrieved by returning to command 60 and entering the code 7531.

Command 61 Reset security/access code:

This command makes it possible to reset the access code used in the EVA_DTS protocol.

Command 62 Enable discount:

The following discount types can be enabled depending on the value set in this parameter:

0 = no type of discount.

1 = discount for different time slots.

2 = discount for purchases with key /credit card (only possible in MDB mode).

3 = discount for time slots and for purchases with key /credit card (only possible in MDB mode).

N.B. To apply the discount, set the values of the required time slots in daily timer 2.

For machines with the cashless system this command makes it possible to apply different price tables. The selection of the table to be applied at the time of sale occurs automatically through the communication protocol between machine and reader (only possible for MDB cashless systems which are provided with this option).

Command 63 Set the mono/multivend:

If the command is set at 0, the default value, the vending machine operates in monovend mode, and in cash mode the surplus credit is returned. If this is not possible, the sum is added to the amount totalled due to overpricing. Vice versa, if the command is set at 1, the vending machine operates in multivend mode, and

the amount which exceeds the cost, after the sale, is displayed once again and can be recovered by simply pressing the coin return button or used for a new selection.

Next you have the option of selecting whether or not to keep the overpay at the user's disposal for an indefinite period of time. 1= function enabled , 0 = function disabled.

Command 64 Sets the message display language:

This command controls the language in which the messages are displayed. Value **0** corresponds to Italian, value **1** to English, value **2** to French, value **3** to German, value **4** to Dutch, value **5** to Swedish, value **6** to Finnish, value **7** to Spanish, value **8** to Portuguese, value **9** to Danish, value **10** to Norwegian.

The option for enabling the display of the list of product ingredients is illustrated below (1 = enabled).

Proceed as follows to use this option:

- Associate an 8-character identification code with each product.
- This code can be programmed for each selection. See command 6 (or use VMC-configurator).
- The product ingredient list is contained in an image file memorized on a USB flash drive inserted into the connector provided on the VMC board. The name of the image corresponds to the product code with extension .jpg. (e.g. if the product code is 00881133 the corresponding image file will be 00881133.jpg).
- When you enter a selection the image file associated with the product code will be displayed.

N.B. The image must measure 480 x 272 pixel and be in jpg format (24 bit colour depth). It can be generated easily using Paint.

The USB flash drive can memorize the images of all the products managed and not just those actually in the machine. When you change a product, therefore, it is sufficient to change the code associated with the selection in command 6.

Commands 66-67 Internal temperature and evaporator temperature display:

The value set at these commands determines the information shown on the second line of the display (see table). As default, the clock is displayed.

Command 66	Command 67	Displayed value
0	0	Displays clock
1	0	Displays internal temperature *
0	1	Displays internal temperature + evaporator temperature
1	1	Displays clock + internal temperature

* Command 66 displays the internal temperature of any SLAVE machine connected to the master machine. In this case the temperature of the master is indicated by TM, whereas the temperature of the slave is indicated by TA.

Furthermore, only during the programming phase, command 67 displays the internal temperature and the evaporator temperature of any SLAVE machine connected to this machine.

Command 68 Setting displayed currency description:

The command allows the operator to set the desired currency. 4 characters are available and they are entered using the same method as described for **Command 95**.

Command 69 Chooses functioning mode of the coin mechanism:

This command chooses the type and mode of functioning of the coin mechanism. The parameter can assume the following values:

- EXECUTIVE with prices managed in the machine (see the associated paragraph)
- EXECUTIVE PRICE HOLDING (i.e. prices programmed in the coin mechanism); in this case the prices programmed in command 03 must be the same as those programmed in the coin mechanism (see the associated paragraph). Alternatively you can set the "Price-Display" parameter. If enabled, the vending machine will utilize exclusively the information on the price value deriving from the payment system, that is, it will not be necessary to fill in the price tables (Commands 03 and 04); simply set only Command 05 (see the relative paragraph).
- BDV 001 (see the paragraph on the use of the BDV coin mechanism)
- MDB (see MDB payment system paragraph).

Command 70 Buzzer operation option:

By setting this command at zero the buzzer is disconnected during machine operation.

Command 73 Enabling the photoelectric cells:

This command should be set at 1 only if the photoelectric cell system is installed. Its function is to enable=1/disable=0 this device. Note: This setting is valid for both machines (MASTER and SLAVE). Set the command at 1 (photocells enabled), you automatically enter the menu that allows the inhibition of this function for the desired selections (delivery without photocell control). To disable the option corresponding to one or more selections, simply key in the selection number and then set the value at zero.

N.B.: with the SPIRAL SLAVE connection enabled (see Command 49), after setting the MASTER machine, the same parameters for the SLAVE machine can be set.

Command 74 Photocell test:

this command is used to test that the photocells are functioning correctly. When the type of test to run has been selected, a test procedure is started automatically; the result is displayed on completion. If there is a problem with the functioning, a second value appears on the display which refers to the problem. See the table for Command 99 for this second value.

Command 75 Setting the operating parameters of the photocell barrier:

This command allows the operator to view and change the operating parameter of the photocell barrier. This value is the same for the MASTER machine and any connected SLAVE machines.

Message	Default value	Meaning
"Hyster.HL"	6	this parameter acts on the sensitivity of the reading of the system. The lower the value set in this parameter, the greater the sensitivity of the system. The value can vary from a minimum of 5 to a maximum of 30.

Command 76 System operation options ("FTC options"):

Setting this command determines how the machine will react if the product is not delivered. The value can be set at between 0 and 3. Default = 0.

The meaning of the setting is as follows:

0 = Possibility of another selection; in this case command 63 (single-multisale) must be set at 1 (if it is an executive payment system the multisale must also be set in the payment system).

1 = Automatic credit delivery; in this case command 63 must be set at 0 (if it is an executive payment system the single sale must also be set in the payment system).

2 = Further quarter turn: if the product is not delivered, the spiral completes a further 1/4 turn and if the product has still not been delivered then the machine reverts to one of the preceding two options depending on the single or multi-sale parameter that has been set.

- *For this purpose once the value 2 has been set in command 76, the option is disabled for all the selections by default. Then you automatically access the menu that allows you to enable the option for the individual spirals. To enable the option corresponding to a spiral simply enter the selection number and set the value at 1. Vice versa if this value is set at 0 the option is disabled. The option is not applicable to 1/2 turn spirals. If the payment system uses Executive protocol, the single-multivend must also be set on the payment system.*

- *Alternatively, the function can be enabled / disabled for each drawer: selection 91 implies that all the selections in the first drawer from the top are, for example, enabled for the quarter turn function. Selection 92 = 2nd drawer; 93 = 3rd drawer; 94 = 4th drawer; 95 = 5th drawer; 96 = 6th drawer; 97 = 7th drawer; if you program the function for selection 99, all the selections in the vending machine will be enabled or disabled.*

3 = Multistep (multiple partial rotations): if the product is not delivered, the spiral will execute a further 1/8 turn and this will be repeated 4 times if the product is not delivered; on the fifth attempt, the spiral will complete the turn and a product delivery check will be performed, after which option 1 or 2 will be triggered depending on whether the single or multi-sale parameter has been set.

In this case too the function must be enabled for each selection or for each drawer or for the total (see point 2).

Then the system makes it possible to set the "empty" option which, if enabled (value set at 1), blocks the selection until the next opening of the main door, in the event of failure to deliver the product.

The system then asks you to enter the options relevant to the PHOTOCCELL SAFETY:

enabling this function (parameter setting = 1) involves entering a number of products within a certain time frame (in minutes). If within the programmed time interval a number of non-readings occurs that is equal to the number of programmed products, the photocells are disabled. The active event is signalled on the display when the door is opened and it is also recorded in Command 99 by Error code 39. The photocell reset can be programmed in manual or automatic mode. If manual, parameter setting = 0, enter the TEST VEND function to re-enable the photocells; if automatic, parameter setting = 1, after 15 minutes the system attempts to reset the function.

*N.B.: with the SPIRAL SLAVE connection enabled (see **Command 49**), after setting the MASTER machine, the same parameters for the SLAVE machine can be set.*

Command 80 USB menu:

Command 80 accesses a multiple-choice menu with the following items:

1. **Clone machine**
2. **Audit on pen-drive**
3. **Software updating**

To access the desired function, just type the corresponding number on the selection pad after you insert the USB pen-drive in the connector provided on the main board.

Clone machine

There are four possible options

1. - Writing configuration data on the USB pen-drive:

This function allows you to transfer all the programming parameters to a USB pen-drive. If not already programmed, you are asked for the "configuration code" (see note) and, once the code is entered and confirmed, you are given two options:

B. Start writing the cloning files on the USB pen-drive (whose name is shown on the display).

1. Change the configuration code.

Pressing B will begin writing the file in the pen-drive with a bar showing the progress of the procedure. Wait until you see the message "end writing" before removing the pen-drive.

If, for example, you programmed the configuration code 00000123, the file generated on the USB pen-drive will have the name: "YOUNG_00000123.DAT". If there is a file of the same name on the USB pen-drive, before writing the new file, it should be renamed by adding a sequential number to the name.

N.B. If you want to export the complete configuration data to the pen-drive, make the cloning after entering the second programming level (extended cloning).

2. Reading data from a pen-drive - Reading configuration data from the USB pen-drive:

This function allows you to read the configuration data in a USB pen-drive. If not already programmed, you are asked for the "configuration code" (see note) and, once the code is entered and confirmed, you are given two options:

B. Reading a file from a USB pen-drive (whose name is shown on the display).

1. Change the configuration code.

Pressing B will begin reading the file from the pen-drive with a bar showing the progress of the procedure. Wait until you see the message "end reading" before removing the pen-drive.

If, for example, you programmed the configuration code 00000123, the file searched and read from the USB pen-drive will have the name: "YOUNG_00000123.DAT". Therefore, on the same USB pen-drive, you can store several programming files for machines of the same model, but each configured differently and distinguished by its "configuration code".

3. Copy promotional message strings on a USB pen-drive:

This function copies, onto a USB pen-drive, the 20 promotional messages currently programmed in the machine. The file generated is named "PromoMessages.txt". Using a text editor (such as Notepad), you can change the texts on a computer and then re-insert them in the machine using the next option.

4. Reading promotional message strings from a USB pen-drive:

This function performs the reverse operation of the one in the previous point by copying content (edited text strings) from the file "PromoMessages.txt" in the USB pen-drive to the machine.

Note: The setting of most machine parameters (those related to each selection, prices, price lines, product codes, etc.) depends on the mechanical configuration (layout) of the machine. This is why we introduced the "configuration code" which is a code of 8 characters that uniquely identifies each machine or group of machines with the same configuration. The configuration code combined with the model name of the machine will form the name of the file that will store the programming parameters of the machine in output (cloning) and input (reading data from the pen-drive). The "configuration code" is requested the first time you perform a cloning or reading of data from the pen-drive and remains unchanged until it is expressly changed by the operator.

It is a good idea to proceed as follows for each new machine (or new configuration):

1. change the mechanical configuration as needed
2. execute command 50 to store the configuration of the selections
3. perform an extended cloning (second programming level), while programming the "configuration code" at the same time.
4. import the file thus obtained in the VMC Configurator live.
5. make all the desired changes/settings to the machine parameters, and save the file.
6. Export the file to the pen-drive
7. Reprogram the machine using the pen-drive.
8. All subsequent changes to the machine parameters should start from the configurator or, if performed in the field, should be recorded on the configurator.

If the machines are managed in groups with the same configuration then, for every new machine belonging to a group whose programming has already been stored, simply perform step 7.

Audit of pen-drive - Pick sales data:

This function allows you to transfer the EVA-DTS data file to a USB pen-drive. Pressing B will begin writing the file in the pen-drive with a bar showing the progress of the procedure. Wait until you see the message "end writing" before removing the pen-drive.

The file generated in the USB stock has the name: "AUDIT_YOUNG_140919153228.DAT" (the numbers are in the order of year/month/day/hour/minutes/seconds corresponding to the machine clock).

Software Update - Update board firmware

Selecting the item software update accesses the related multiple-choice sub-menu:

1. **Update current VMC**
2. **Upload new VMC model**
3. **Upgrade Power Board (also valid for the slave)**
4. **Update display**

Before executing the command, insert the pen-drive in the USB socket of the board to be updated.

1. Uploads the updated software for the same machine model (e.g. YOUNG with YOUNG, or Winning with Winning). When finished, the machine will reboot. *ATTENTION* the pen-drive may contain several programming files for different machine models. There cannot be more than one file for the same model of machine.
2. Uploads the software for a different machine model (e.g. YOUNG on Winning, or vice versa). *ATTENTION* in the USB pen-drive, there must only be the file to upload.
3. Before you type 3, remove the withdrawal pocket, insert the USB pen-drive into the port provided on the front of the electrical panel. When finished, the machine will reboot.
4. In this case the pen-drive must be inserted in the port on the Main board.

Command 85 Display of checksum and main and power board software version.

Command 88 Enabling product heating on the WAVE MODULE (if present):

This command enables operation of the microwave oven column. Value 1 = enabled; 0 = not enabled.

If this function is enabled, the system asks you to program the heating time, in seconds, for the products on each selection of the master machine (YOUNG). The values can be set from 0 to 180 sec.

The heating times are calibrated for use with the maximum power output.

Command 90 Selecting the AUDIT / telemetry enabling protocol:

The control board is equipped with an RS232 socket. The I/O connector is a 9-pin male that uses the following pins:

- Pin 2 VMC Tx - Pin 3 VMC Rx - Pin 5 Ground -Pin 7 CTS

By scrolling through the menu using any key except A and B, you can select PRINTER: the machine manages a generic serial receipt printer connected to the RS232 socket. In this case, transmission is carried out at 9600 baud, 8 data bits, no parity and 1 stop bit. The connection cable uses pins 2, 5 and 7.

If the printer is online, when you press the button to access programming on the outside of the coin box, the sales data are printed.

By selecting EVA-DTS DDCMP from the menu the machine communicates with the outside world via the infrared interface 082925 (IRDA interface) or through physical connection on the 9-pin connector, according to the specifications of the EVA-DTS protocol, vers. 6.0.

The machine offers the choice of the type of connection: infrared interface (OUTPUT OPTICAL LINK) or a cable on the 9-pin connector located on the board (OUTPUT RS232) in the latter case the pins of the connector used are 2 = VMC Tx, 3 = VMC Rx, 5 = GROUND

The machine prompts you to enter the address of the peripheral: enter the required value (1 for point-to-point connection), then press "ENTER".

You are offered the choice of transmission speed, which must be consistent with the setting of the 082925 board in the case of infrared connection (see related instructions). The settable range is 2400-115200 baud, or it can be negotiable between the machine and the terminal (option valid only for cable connection). Press any key on the keyboard to scroll the various speed options, then confirm the required value by pressing "ENTER".

Then set the option "enable telemetry". Value 1 = function enabled; Value 0 = function not enabled. Default value = 0. ATTENTION the option can only be enabled if the telemetry device supports the sending of events by the machine (in this case the machine acts as a master and initiates the DDCMP session)

It is then possible to enable (value set to 1) "erase interim data", i.e., the erasing of the resettable counters after reading them and then you can enable the immediate erasure of the interim date or allow it to be reset after the first purchase operation performed on the machine.

If the command is set DEX UCS, the machine communicates with the outside world with the DEX-UCS protocol.

Command 91 Entering machine identification data:

The first datum to enter is the 8-figure machine serial number (numerical part only).

The second datum requested consists of a maximum of 30 alphanumerical characters: it refers to the machine location: Refer to the table in command 95 for the insertion procedure. The third datum requested is the machine numerical identification code (asset number).

All these data are then recorded in the Audit file for identifying the machine.

Command 92 Clear sales data:

The command is used to clear the machine's sales data (see command 10). A special access code must be entered for this operation. The procedure is as follows:

- Programming mode, Command 0 appears on the display
- Type 92 and press ENTER, Code 0000 appears on the display
- Type 1221 and press ENTER, 'CLEAR DATA?'

Press the ENTER key to clear all the sales data whereas press ESC to return to the main menus without saving the changes.

Command 95 Setting the functions of the display (message Box Utente/slide show interno/slide show USB):

Can not be activated simultaneously multiple functions.

1. The message box alternates with the normal display messages every 8 seconds. It is composed of a title (max 28 characters) and by a body text (max 80 characters). Texts are entered by typing the corresponding character code (see table) or by VMC configurator.
2. The internal slide show consists of a series of predefined images that are displayed when the machine is in standby.
3. A USB slide show consists of the display of the images memorised by the user on a flash drive when the machine is in standby. The images must be in jpg format with a maximum resolution of 480 x 272 pixels and 24 bit colour depth.

If enabled, the title and body of the message appear in the box in the programmed order. The message "**Character 00**" appears on the second line of the display, while the third line shows the text currently available. To compose the new message type in the required character codes (see table below) and confirm each one by pressing the ENTER key. Lastly, press the ESC key to return to the main menu.

CODE	CHARACTER	CODE	CHARACTER	CODE	CHARACTER
00	Cursor ahead	28	E	56	g
01	Cursor back	29	F	57	h
02	space	30	G	58	i
03	!	31	H	59	j
04	"	32	I	60	k
05	#	33	J	61	l
06	\$	34	K	62	m
07	'	35	L	63	n
08	,	36	M	64	o
09	-	37	N	65	p
10	.	38	O	66	q
11	/	39	P	67	r
12	0	40	Q	68	s
13	1	41	R	69	t
14	2	42	S	70	u
15	3	43	T	71	v
16	4	44	U	72	w
17	5	45	V	73	x
18	6	46	W	74	y
19	7	47	X	75	z
20	8	48	Y	76	å
21	9	49	Z	77	ø
22	:	50	a	78	æ
23	;	51	b	79	ä
24	S	52	c	80	ö
25	B	53	d	81	ü
26	C	54	e	82	°
27	D	55	f		

The character with the code 00 moves the cursor forward by one position.

CAUTION! If the cursor is beyond the first character of the message and you press ESC to return to the main menu, the message is cut off at the point corresponding to the position of the cursor; therefore before quitting, make sure that the cursor is moved to the end of the message.

It is advisable to prepare the message on a piece of paper using the codes in the table (spaces included) and then enter it in the machine.

Command 99 Event display menu:

the following options are available:

1. **Error events**
2. **Powering off/on**
3. **Temperature recording**
4. **Recovery of the log file.**

1. Error events

This command displays the last 20 error events; To pass to another display press ENTER. At the end of the display, the system asks the user to confirm the clearing of all the data. Press ENTER to confirm or ESC to leave the records as they are.

ERROR CODE	SUB-CODE	FAILURE
01	Number selection code	Motor blocked (the spiral does not rotate)
02	Number selection code	The spiral does not complete the rotation
05	Number selection code	Motor disconnected
09	Number selection code	Possible microswitch defect or spiral motor wiring defect
10	(*) 38 - 39	Internal temperature feeler faulty
11	(*) 38 - 39	Evaporator probe faulty
16	(*) 33 - 38 - 39	Error communication with peripheral (a board for the electric panel)
17	(*) 38 - 39	Communication break during sale cycle without credit collection
18	(*) 38 - 39	Communication break during sale cycle with credit collection
30	(*) 38 - 39	Fridge safety has intervened
31	(*) 38 - 39	Photocell test error.
32+38	(*) 38 - 39	Photocell calibration error
39	(*) 38 - 39	Photocell safety
51	(*) 38 - 39	Interruption of peripheral connection at the beginning of the sale cycle.
55	/	Payment system out of service.
61	Number selection code	Motor blocked (the spiral does not rotate) SLAVE A
62	Number selection code	The spiral does not complete the rotation SLAVE A
65	Number selection code	Motor disconnected SLAVE A
69	Number selection code	Possible microswitch defect or spiral motor wiring defect SLAVE A
91	Number selection code	Selections not reset.
93	/	Fridge safety has intervened

(*) Key:

33 = Photocells
 38 = Spirals Master
 39 = Spiral Slave

2. Switching on/off:

The last 10 periods in which the machine was off are displayed. The following values are displayed:

POWER OFF DATE TIME

POWER ON DATE TIME

To pass to another display press ENTER.

N.B.: the clock has to be programmed in order to obtain reliable values.

3. Temperature recording:

the internal temperature trend during the last 24 hours is displayed. The values are recorded every 15 minutes. To view all the values simply press "B".

To make the recording, you need to program the clock (see Command 02). After programming the clock, all data is automatically cleared.

4. Recovery of the log file.

It allows you to save a text file on a USB pen-drive that contains all the recordings made by the machine: refrigeration unit set-up parameters, defrosting cycles and powering off/on; Error events. The file stored on the pen-drive will be named "PrintYOUNG_code_configuration_datetime".

9.3 USING THE BDV COIN MECHANISM



The coin mechanism must be connected and disconnected with the machine switched off.

After having carried out the connection, switch on the machine, enter the programming and set **command 69 to 4**, then switch off the machine for some seconds. By switching it on again the machine and the coin mechanism will communicate correctly.

Command 30	Purchase obligation before return	(def. 0)
Command 31	Maximum credit	(def. 0)
Command 32	Maximum value of returned coins	(def. 0)
Command 33	Inhibition single coins	(all enabled)
Command 34	Coin inhibition with exact amount	(all enabled)
Command 35	Coin level message Exact amount	(def. 0)
Command 36	Equation exact amount	(def. 0)
Command 37	Enabling credit card reader	(def. 0)
Command 38	Emptying of change-giving tubes	
Command 39	Filling of the change-giving tubes	

Command 30 Purchase obligation before return:

By setting this command to 1 the customer is obliged to purchase before receiving back the return. This is to avoid to use the coin mechanism as a coin-changer. If the purchase fails to happen, the change will be given out.

Command 31 Maximum credit:

The maximum credit accepted by the coin mechanism is set. By overtaking this value the acceptance of further coins is blocked.

Command 32 Maximum value of returned coins:

This function is active only in multi-sale. If the value of the credit which remains after a sale is higher than the value set by the command, the allotment of return will be blocked. Therefore it will be necessary to make further purchases until the remaining credit is lower than the set value. By moving the return lever, it will be possible to obtain the change.

Command 33 Inhibition single coins:

The acceptance of particular coins by the coin mechanism will be blocked through this command. If you want to block the acceptance of coin 5, proceed as follows:

1. Go into programming mode to display _Command 00_
2. Dial 33 and press ENTER, display views..... Coin no. 00
3. Dial 5 and press ENTER, display views.....0
4. Dial 1 and press ENTER.

Command 34 Inhibits Coin inhibition with exact amount:

This command blocks the acceptance of particular coins when the change amount is very small - i.e. when the display shows the message "Enter exact amount only".

Command 35 Coin level message exact amount:

To quit the "exact amount" condition, program a value between 0 and 15 representing the number of coins to be added to the minimum level defined in the coin return tubes.

Command 36 Equation exact amount:

it represents the combination of empty spaces in the tubes so that the exact amount message can be activated. Here is a list of possible combinations:

0 = A or (B and C)	1 = A and B and C	2 = only A and B
3 = A and (B or C)	4 = only A	5 = only A or B
6 = A or B or C	7 = only A and C	8 = only A or C
9 = only B and C	10 = only B	11 = only B or C
12 = only C		

Command 37 Enabling credit card reader:

The functioning of the credit card will be enabled by setting this command to 1.

Command 38 Emptying of change giving tubes:

This command is used to inventory the coins in the tubes of the coin mechanism. To obtain the allotment from tube 1 (coins of lower value) proceed as follows:

1. Go into programming mode to display _Command 00_
2. Dial 38 and press ENTER, display views..... Tube no. 00
3. Dial 1 and press ENTER,

The coin mechanism starts giving out coins from the chosen tube until the release of ENTER.

Command 39 Filling up of change giving tubes:

Proceed as follows:

1. Go into programming mode to display _Command 00_
2. Key in 39 and press ENTER
3. Insert the coins in the coin mechanism
4. Press ENTER again

N.B. If the procedure is not carried out correctly, commands 09 and 10 may contain the wrong values.

9.4 USE OF PAYMENT SYSTEMS MDB



The coin mechanism must be connected and disconnected with the machine switched off.

The command **69 has to be programmed to value 5**, then turn off the machine for some seconds. By putting it on again the machine and the coin mechanism will communicate correctly. There are the following additional commands for the use of these payment systems:

Command 27	Setting the signal for payment system out of order.
Command 28	Select change giving tube content counter.
Command 29	Cashless credit cannot be displayed.
Command 30	Purchase obligation before return.
Command 31	Setting max key or cash credit accepted.
Command 32	Minimum coin level in the tubes.
Command 33	Disabling single coins / banknotes.
Command 34	Inhibits coins during exact amount /enable banknote escrow.
Command 35	Resetting coin meters in change-giving tubes.
Command 36	Condition exact amount (no coins available for change).
Command 37	Inhibits note validator during exact amount.
Command 38	Emptying of change-giving tubes.
Command 39	Filling of the change-giving tubes.

Command 27 Setting the signal for payment system out of order:

If the command is set at 1, when the connection with the MBD payment system is interrupted the vending machine goes out of order and the message appears on the display; if the command is set at 0 (zero), the option is disabled. The default setting is 0.

Command 28 Select change giving tube content counter:

This command allows the user to select whether to use the counters corresponding to the content of the coin mechanism change giving tube or use only the counters inside the machine. If the command is set at 1 at each power-up the counters inside the machine which correspond to the content of the change giving tubes are updated with the values transmitted by the coin mechanism. If, on the other hand, the command is set at 0 the values transmitted by the coin mechanism are ignored.

Command 29 Cashless credit cannot be displayed:

This command allows the user to prevent or enable display of credit from the MDB cashless device (key or card reader). If the command is set at 1 the credit corresponding to the cashless device is not displayed, whereas if the command is set at 0 the machine also displays the credit available on the cashless device.

Command 30 Purchase obligation before return:

By setting this command to 1 the customer is obliged to purchase before receiving back the return. This is to avoid to use the coin mechanism as a coin-changer. If the purchase fails to happen, the change will be given out.

Command 31 Setting max key or cash credit accepted:

The max credit accepted by the coin mechanism by either key/card or cash is set, and if this amount is exceeded acceptance of further coins or notes is blocked. Next follows a request for the maximum return option, that is the maximum quantity of coins that can be returned. Default value 1000, max value 9000.

Command 32 Minimum coin level in the tubes:

this is the number of coins for each coin box mechanism which must remain in each tube in order to guarantee the correct function of the coin delivery system (consult the manual of the coin box mechanism for instructions on setting the correct value of this parameter). If a different value is associated to each tube, the maximum value set must be between those indicated. The setting of this parameter is fundamental for ensuring the correct coin management by the vending machine.

N.B. The tube inventory, command 38, stops when the content of each tube reaches the value set in command 32. To empty the tubes completely, use the coin box mechanism delivery buttons.

Command 33 Disabling single coins / banknotes:

This command allows you to perform the two adjustments described below:

1. To block acceptance of particular coins by the coin mechanism.
2. To block acceptance of particular banknotes by the reader.

Press the ESC button to go from point 1 to point 2.

N.B.: The coins are in order of increasing value.

Command 34 Inhibits Coin inhibition with exact amount:

This command allows you to perform the two adjustments described below:

This command blocks the acceptance of particular coins when the change amount is very small - i.e. when the display shows the message "Enter exact amount only".

1. to block acceptance of certain coins when change is perhaps not available - i.e. when the display shows the message "Enter exact amount only".
2. Enable the "Escrow" function for each banknote.

Command 35 Resetting coin meters in change giving tubes:

Use this command when replacing token meter or emptying the change giving tubes with the machine off to synchronize the meters with the actual contents of the change giving tubes.

1. Go into programming mode to display _Command 00_
2. Key in 35 and press ENTER , display views Code 0000
3. Key in 6203 and press ENTER

Command 36 Condition exact amount (no coins available for change):

this command is for setting (for each change-giving tube) the number of coins below which the machine can be considered to be in a condition of 'no coins available for change'. The set value must always take into consideration the coin minimum level in the tubes (command 32), that is it must be higher than the latter (example: if command 32 is set at 5, the command 36 values must have a setting of 6 as their minimum value). The tubes that are not included in this condition must be set at "0".

When the contents of any one of the tubes included in the condition drops below the corresponding set value, the machine displays the warning that there are no coins available for change.

Command 37 Inhibits note validator during exact amount:

Setting this command to 1 during exact amount will inhibit the note validator.

N.B. If only the note validator is installed, this command must be set at 0.

Command 38 Emptying of change giving tubes:

This command is used to inventory the coins in the tubes of the coin mechanism. To obtain the allotment from tube 1 (coins of lower value) proceed as follows:

1. Go into programming mode to display _Command 00_
2. Dial 38 and press ENTER, display views..... Tube no. 00
3. Dial 1 and press ENTER,

The coin mechanism starts giving out coins from the chosen tube until the release of ENTER.

Command 39 Filling up of change giving tubes:

Proceed as follows:

1. Go into programming mode to display _Command 00_
2. Key in 39 and press ENTER
3. Insert the coins in the coin mechanism
4. Press ENTER again

N.B. If the procedure is not carried out correctly, commands 09 and 10 may contain the wrong values.

9.5 USING THE EXECUTIVE STD/EXECUTIVE PRICE HOLDING PAYMENT SYSTEMS

Command 39 Filling up of change giving tubes:

Proceed as follows:

1. Go into programming mode to display....._Command 00_
2. Key in 39 and press ENTER
3. Insert the coins in the coin mechanism
4. Press ENTER again



The decimal point in the prices that appear on the display must be set through the payment system.

Executive Standard ⇒ Command 69 programmed at 0

The Executive standard payment system manages the prices directly in the machine and not on the payment system.

For example, to set selection 21 at 30 pence, follow the instructions below:

- 1.1) Go into programming mode to display....._Command 00_
- 1.2) Key in 03 and press ENTER to display Selection No. 00
- 1.3) Key in 21 and press ENTER to display Price 00
- 1.4) Key in 75 and press ENTER to display Selection No. 00

If you wish to programme another selection, repeat the sequence from point 1.2. Alternatively, press ESC twice.

Executive price-holding ⇒ Command 69 programmed at 1

In the Executive price-holding, the prices are managed by the payment system.

In this case, it is necessary to copy the price table (price list) programmed on the payment system to command 03 of the machine (from price 1 to price n) , while at Command 05 the prices will be matched to the selection by referring to their number.

Example: to set the selection 11 at 35 pence, proceed as described below:

Let us assume that the second price set on the payment system is 35 pence.

- 1.1) Go into programming mode to display....._Command 00_
- 1.2) Key in 03 and press ENTER to display Price Number 00
- 1.3) Key in 02 (second price) and press ENTER to display Price 00
- 1.4) Key in 35 and press ENTER to display Price Number 00
- 1.5) Press ESC to display Command 00
- 1.6) Key in 05 and press ENTER to display Selection No 00
- 1.7) Key in 11 and press ENTER to display Price Number 00
- 1.8) Key in 02 (second price) and press ENTER to display Selection No 00

If you wish to programme another selection, repeat the sequence from point 1.6. Alternatively press ESC twice.

Executive price-display ⇒ Command 69 programmed on 1.

In the Executive price-display payment system the prices are controlled by the payment system.

In Command 05 the prices referring to the number of the selection will be matched to the selection.

Example:

- 1.1) Key in 05 and press ENTER. The screen shows Selection No. 00
- 1.2) Key in the selection no. and press ENTER. The screen shows..... Price Number 00
- 1.3) Key in (for example) 02 (second price) and press ENTER. The screen shows..... Selection No. 00

If you wish to program another selection repeat the sequence from point 1.1 otherwise press ESC twice.

10 ADJUSTMENTS

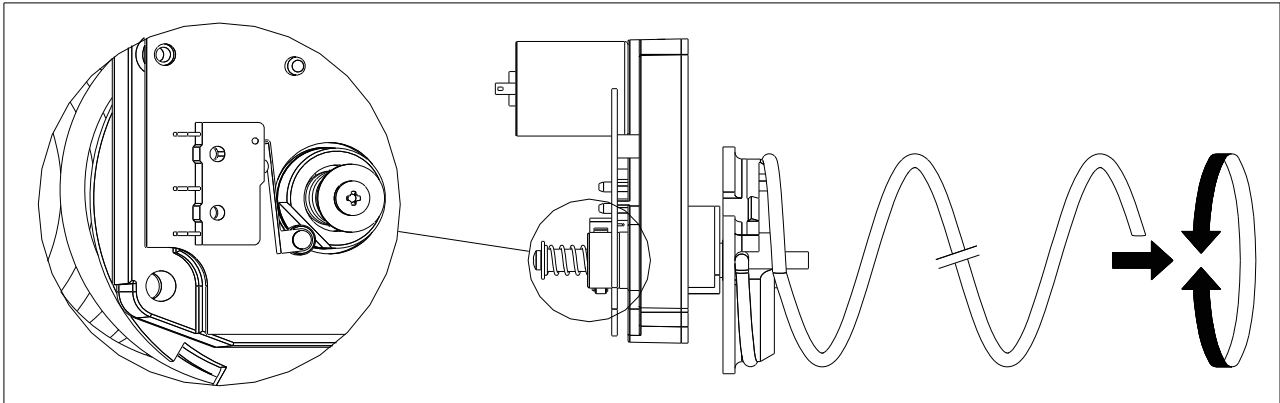
10.1 SPIRALS



Most of the products can be sold without problems when the end of the spiral is placed on hour 6. To modify the end, draw the spiral forward until the base of the spiral support will come out from the pit; then turn the spiral in the wished position and put it again into the pit.

Each spiral can be turned each time of 45°.

CAUTION: when carrying out this operation ensure that the motor micro cam is always in the standby position. To do this, simply carry out several dispensing operations in "TEST VEND" mode (see the FUNCTION/PROGRAMMING KEYBOARD paragraph).

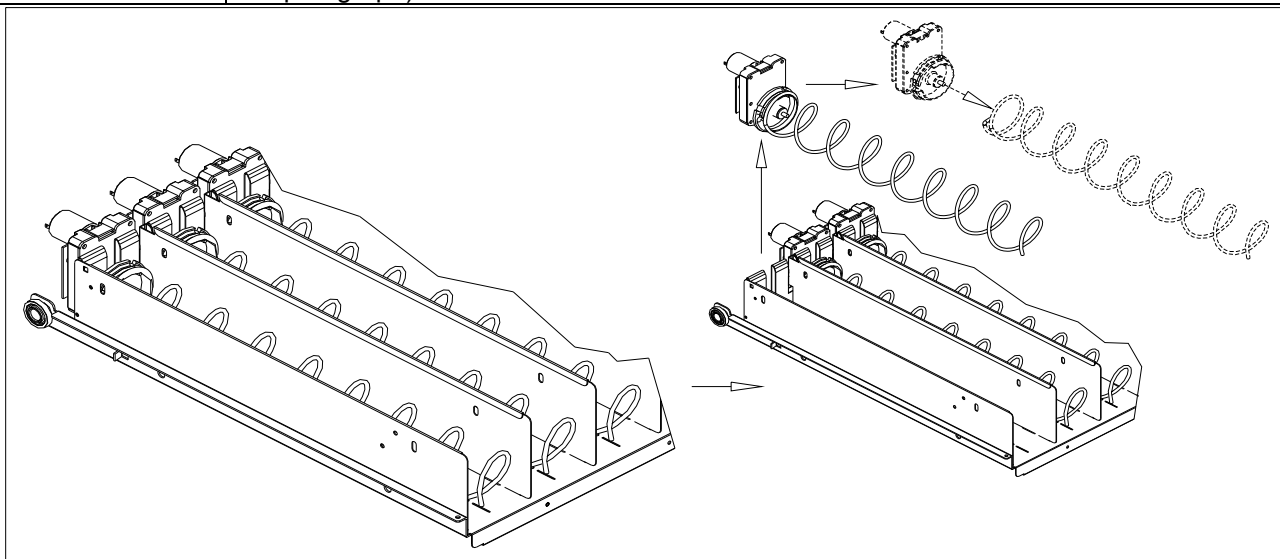


10.2 PROCEDURE FOR REPLACING SPIRALS AND EXPELLER MOTOR GROUP



The machine is supplied with drawers with spirals of different diameters and pitches. To vary their quantity or their order, proceed as follows:

- Switch the machine off via the main switch, and take out the plug.
- Open the main door.
- Pull out the drawer on which you have to vary the spiral.
- Switch off and take out the group motor-spiral.
- Take out the spiral from the plastic support (lever between spiral and support) and replace with the other spiral or with the other expeller motor group.
- Fit the new spiral group, following the above steps in reverse order. At the end, make sure the spiral tip is at "6 o'clock" (if it isn't, refer to the "SPIRALS" paragraph).



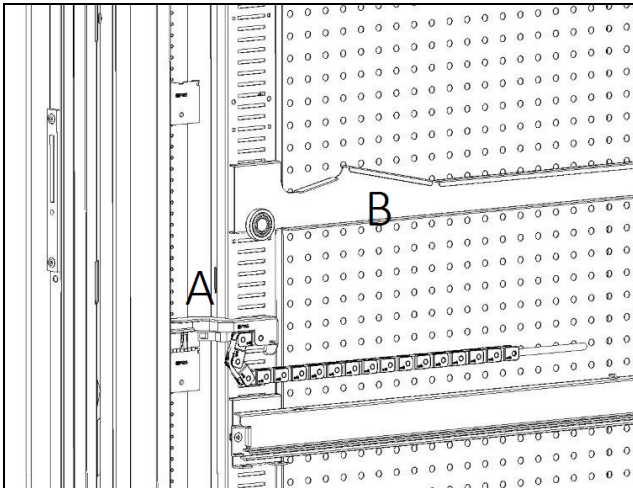


fig. 4

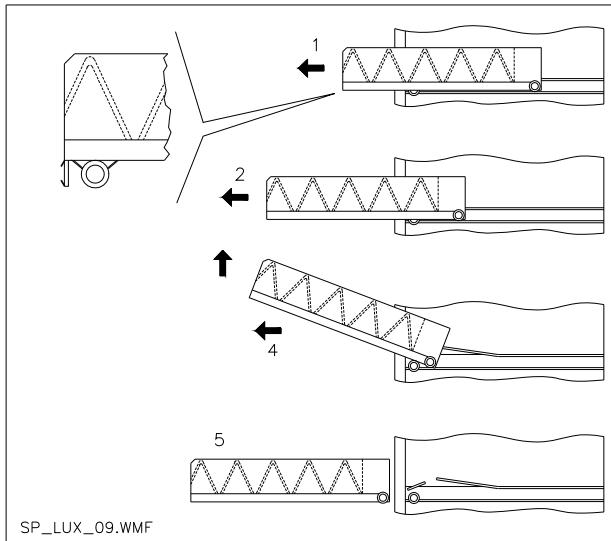


fig. 5

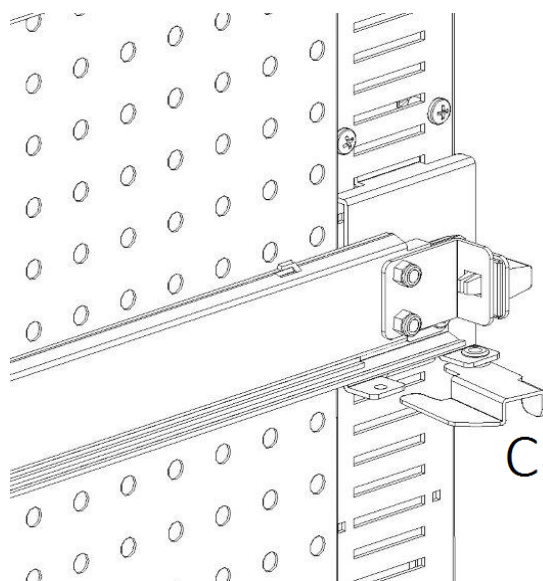


fig. 6

10.3 PROCEDURE FOR REMOVING THE DRAWERS

To replace the drawer proceed as follows:

- Switch off the machine by means of the main switch and pull out the power plug.
- Open the main door.
- Remove the electric connector -A-.
- Pull out the drawer by overcoming the resistance exerted by the positioning spring (pull gently).
- Pull the drawer until it hits the stop, pull it upwards, rotate it downwards until it is released from the guide, then finally remove it from the machine.

To mount a drawer proceed as follows:

- Insert the drawer.
- Push the drawer until it engages in the locked position.
- Insert the electric connector -A-.
- Close the main door.
- Energise the machine by means of the main switch.

10.4 MODIFYING THE TRAY NUMBER

Vending machines with 6 drawers can be transformed into machines with 7 drawers by proceeding as follows:

- Switch off the machine by means of the main switch and pull out the power plug.
- Pull out all the drawers from the vending machine.
- Move the guides ref. B (the last one at the bottom is already in the right position, so it doesn't need to be moved). To move the guides, open the fastener (ref. C) and then rotate the guide to remove it and reposition it at the required height.
- Move the connectors, set. A, placed on the bottom of the cabinet.
- Add a pair of guides.
- Mount 7 drawers and check that the connectors are plugged in correctly.
- Set the new prices.

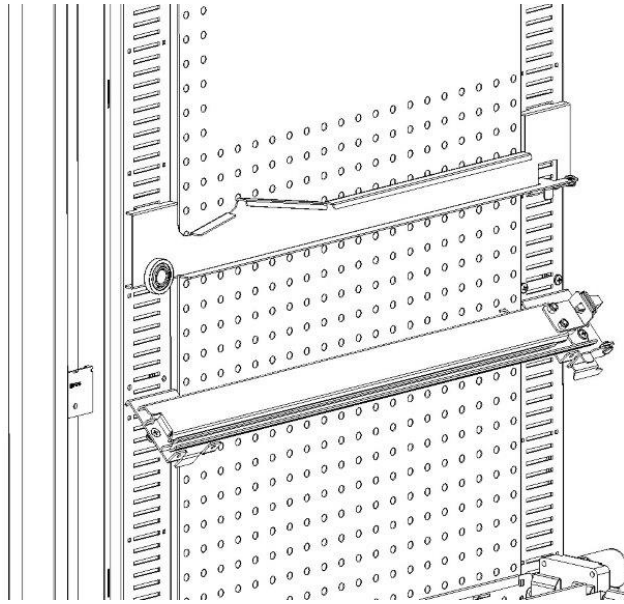


fig.7

10.5 PROCEDURE FOR CHANGING THE TEMPERATURE MANAGEMENT SIDE-PANEL

In order to change the stratification of the temperatures inside the machine it is necessary to use the proper side-panel as explained in **Chapter 3**.

To change the side-panels in the vending machine:

- remove the drawers as explained previously
- remove all the guides, ref. B
- act on the top part of the perforated side-panel by pulling it towards the inside of the machine as in **fig. 8**.
- It is now possible to extract the side-panel and fit the desired one, following the inverse procedure.

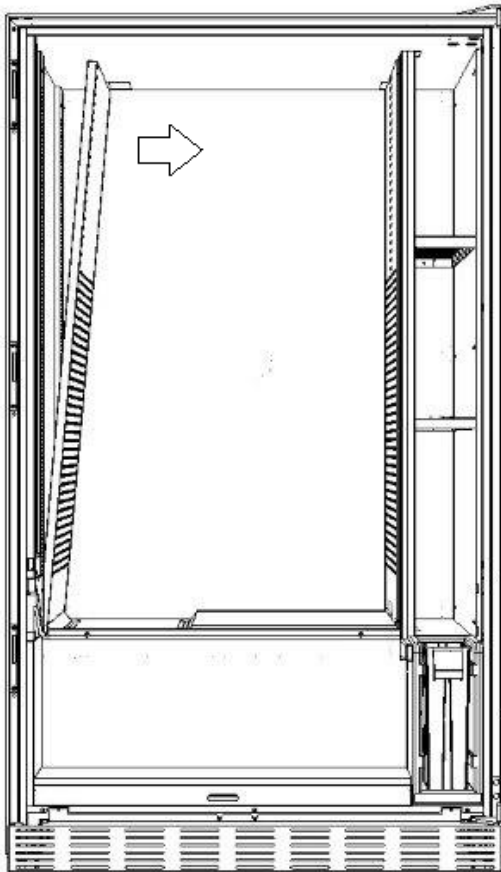
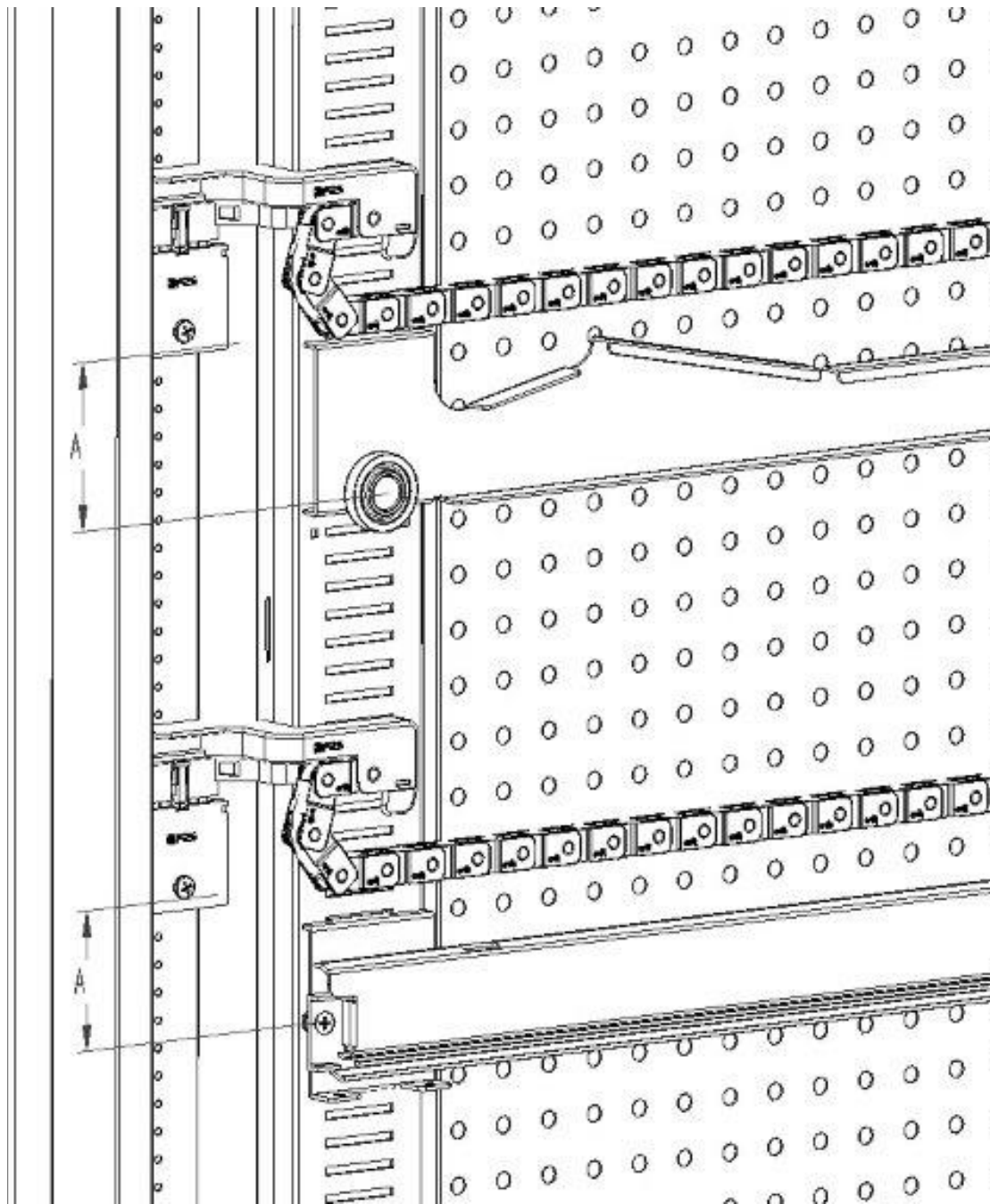


fig.8

10.6 FITTINGS FOR FASTENING TRAY WIRING ⚠



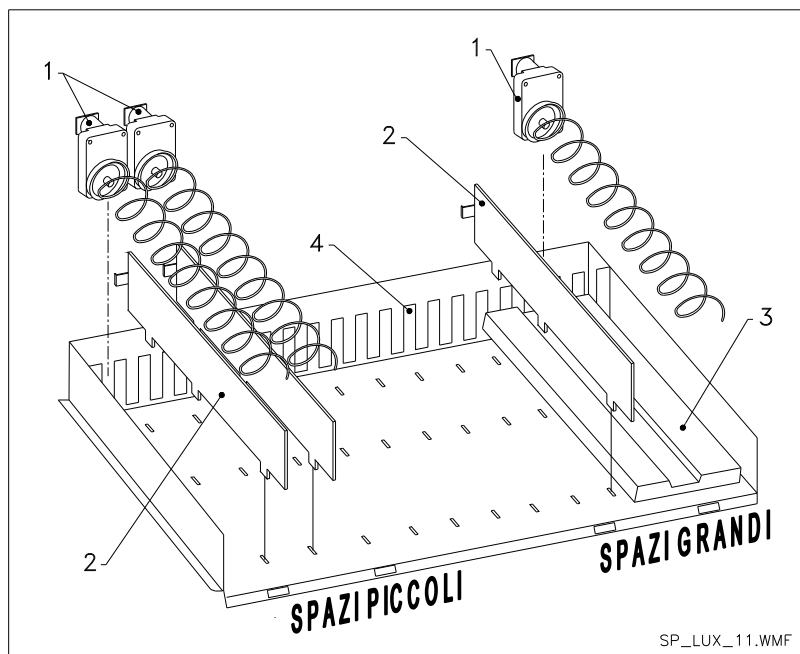
If there is a change in the number of drawers installed in the automatic vending machine, or if their position is rearranged, it is advisable to adhere strictly to the recommended measurements set out in the following table for a correct winding of the wiring when the drawer is pulled out:

TYPE OF DRAWER/RUNNER	DIMENSION "A" (mm)
Drawer with standard guide 1	60
Drawer with reinforced guide 2	70
Any drawer with bottle discharge bar	110

10.7 INSTRUCTIONS FOR CONVERTING THE TRAYS

From one large space to two small spaces

- Switch the machine off via the main switch, and take out the plug.
- Open the door.
- Remove the neon cover.
- Pull out the drawer to be modified.
- Remove the spiral + motor unit set. 1.
- Remove the drawer set.3.
- Replace the spiral with large diameter with a spiral with small diameter.
- Insert the spiral with small diameter + motor unit in the left hand slot on the support det. 4.
- Insert the new spiral with small diameter + motor unit in the right hand slot and connect it to the wiring on the drawer.
- Add the new divider in between the two spirals set. 2.
- Install the new price and selection labels.
- Insert the modified drawer and make sure that the connector is plugged in.
- Program the new selections at the desired sale price.
- Test the new selections to ensure that they work correctly.





From two small spaces to one large space

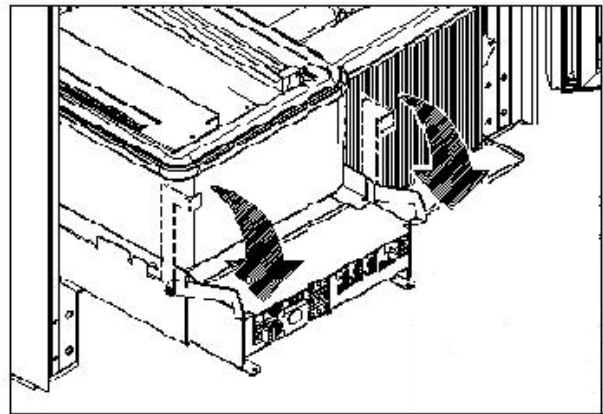
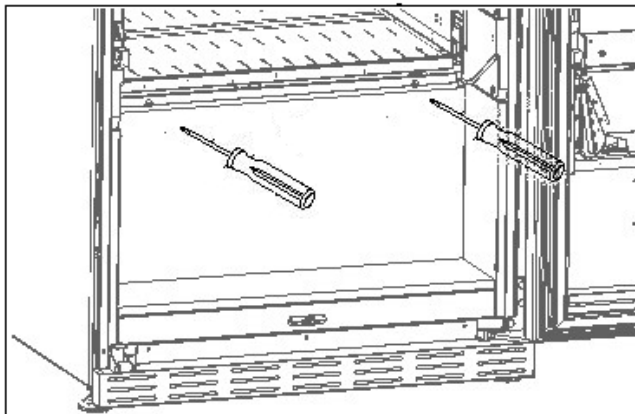
- Switch the machine off via the main switch, and take out the plug.
- Open the door.
- Remove the neon cover.
- Pull out the drawer to be modified.
- Remove the spiral + motor units set.1.
- Put one spiral + motor unit aside and in the other one replace the spiral with small diameter with a spiral with large diameter.
- Remove the divider set.2.
- Insert the drawer set.3.
- Insert the spiral with large diameter + motor unit in the central slot of the support set. 4.
- Install the new price and selection plates.
- Insert the modified drawer and make sure that the connector is plugged in.
- Programme the new selections at the desired sale price. **NOTE: In the large space selections, the selection numbers are odd numbers. E.G.: Selections A 1 and A 2 converted to a single compartment become a single selection A 1.**
- Test the new selections to ensure that they work correctly.


10.8 ACCESS TO THE ELECTRIC PANEL AND REFRIGERATION UNIT

To access the electric panel or the refrigeration unit proceed as follows:



- Switch the machine off via the main switch, and take out the plug.
- Open the door.
- Use a Philips screwdriver to loosen the two screws that fasten the product collection pocket to the cabinet. Remove the pocket.
- To remove the refrigeration unit, lower the two levers located on the side of the evaporator box, ensure that the gasket positioned on the top edge of the evaporator box is not attached to its lodging, pull the special handle. CAUTION: beware of the cables.
- On the basis of Regulation 517/2014/EC, the refrigerator units will use alternative refrigerant gases. The refrigerator unit bears the necessary labels for recognising the type of gas used, and its charge. The refrigerator unit is fully airtight; any replacements that need to be made on the machine will therefore require a simple mechanical operation. If the professional operator wants to handle the repair personally, he/she must first of all be sure to have the necessary knowledge and equipment for the type of gas used.

 	<p>Control panel: When the product collection pocket is removed the entire vending machine remains energised. Total isolation from the electric power supply is only obtained when the plug is removed from the external circuit breaker switch. Consequently, all operations required by the vending machine without the protection of the product collection pocket, must only be carried out by qualified personnel who are aware of the specific hazards which this condition involves.</p>
---	--



<p>10.9 BOTTLE UNLOADING KIT </p> <p>The bar can be placed in 6 different holes depending on the type of bottle loaded</p> <p>CAUTION: the bottle discharge bar must not be used to pull-out the drawer.</p>	
--	--

10.10 INSTRUCTIONS FOR REPLACING THE INTERNAL LIGHTING DEVICE

 	<ul style="list-style-type: none"> • Switch the machine off via the main switch, and take out the plug. • Open the main door. • Remove the cover from the light source. • Replace the light source. • Carry out the operations in reverse order to reassemble.
---	---

11 INSTRUCTIONS FOR CLEANING






Only persons with the knowledge and practical experience with the unit can perform these operations as they involve unit safety and hygiene.

Adequate recurring maintenance of machine grants its reliability in operation. This chapter is dedicated to maintenance operations and their frequency, which must in any case be considered indicative since they depend on various factors such as the type of products used, the climate conditions and in particular the humidity, etc. This chapter does not give an exhaustive description of all the maintenance operations. During maintenance vending machine has to be switched off. Do not wash vending machine with direct jets of water and high pressure. To avoid the risk of rust or chemical corrosion in general, the stainless steel and painted surfaces must be kept clean.

11.1 IMPORTANT POINTS FOR CLEANING

Use the cleaning products as instructed on the label. Do not excessively aggressive detergents as they could damage some of the parts. The manufacturer disclaims all responsibility for damage caused by the improper use of such detergents or the use of toxic agents.

With sanitising products (chlorine-based detergents or similar products) 	Inside cabinet (drawer zone), drawers, display window. Remove detergent, disinfectant and foodstuff residues with a damp sponge before restarting the machine.	At each reload, or at least every 5 days
With vacuum cleaner or compressed air  	Remove the dirt from the condenser. Make sure there is an air gap between the front and back of the condenser. Always clean the inside of the cabinet after this operation.	every month
If this operation is not performed correctly, the refrigeration system could be seriously damaged.		

11.2 INACTIVITY
























To prevent hazardous situations from arising at start up, suitable precautions must be taken when the machine will not be used for a long period of time. Here, a long period of inactivity is understood as a period exceeding one month.

For long resting period, it is necessary:

- To clean the machine thoroughly and to dry it;
- To check carefully for damaged or worn parts and to replace them;
- To check that the screws and bolts are securely tightened;
- To cover the machine after having stored it in a protected environment.

To re-set the machine at work, comply with the instructions given in the paragraph “Installation” of this manual and pay particular attention if food products are to be sold (see paragraph “Use of the vending machine for the sale of food products”).

INDICE

1	GENERALITÀ	2
1.1	IDENTIFICAZIONE DELLA MACCHINA	2
1.2	DISPOSIZIONE DEGLI ADESIVI	3
1.3	GUIDA ALLA CONSULTAZIONE	4
1.4	SICUREZZE.....	5
2	USO DEL DISTRIBUTORE AUTOMATICO PER LA VENDITA DI PRODOTTI ALIMENTARI ...	9
2.1	STIMA DELL'IMPATTO DELLE IMPOSTAZIONI DI TEMPERATURA SUGLI SPRECHI ALIMENTARI..	9
3	CARATTERISTICHE TECNICHE	10
4	COMPONENTI PORTA	14
5	COMPONENTI INTERNI	15
6	TRASPORTO, MOVIMENTAZIONE, STOCCAGGIO E DISIMBALLAGGIO	16
6.1	TRASPORTO E STOCCAGGIO  	16
6.2	DISIMBALLAGGIO  	16
6.3	INSTALLAZIONE  	17
6.4	AVVERTENZA PER L'INSTALLAZIONE.....	18
6.5	COLLEGAMENTO SISTEMA DI PAGAMENTO	18
7	AVVERTENZA PER LA DEMOLIZIONE MACCHINA	18
8	INTERVENTI SUL DISTRIBUTORE	19
8.1	CARICAMENTO PRODOTTI 	19
8.1.1	AVVERTENZE CARICAMENTO PRODOTTI 	19
8.2	DISTANZIATORI PER PRODOTTI SUI CASSETTI.....	20
8.3	ESPULSORE PER PRODOTTI.....	20
8.4	OPERAZIONI DI VENDITA DI UN PRODOTTO	20
9	TASTIERA FUNZIONI/PROGRAMMAZIONE  	21
9.1	VERIFICA SELEZIONI.....	21
9.2	ELENCO COMANDI PROGRAMMAZIONE	22
9.2.1	ACCESSO AI SOTTOMENU'	23
9.2.2	IMPOSTAZIONE PARAMETRI TEMPERATURA	27
9.2.3	IMPOSTAZIONE PARAMETRI MACCHINA	28
9.3	UTILIZZAZIONE GETTONIERA BDV	39
9.4	UTILIZZAZIONE SISTEMI DI PAGAMENTO MDB	41
9.5	UTILIZZAZIONE SISTEMI DI PAGAMENTO EXECUTIVE STD/EXECUTIVE PRICE HOLDING	43
10	REGOLAZIONI	44
10.1	SPIRALI	44
10.2	SOSTITUZIONE SPIRALE E GRUPPO MOTORE ESPULSORE	44
10.3	PROCEDURA PER LA RIMOZIONE DEI CASSETTI  	45
10.4	VARIAZIONE CASSETTI  	45
10.5	PROCEDURA CAMBIO SPONDA GESTIONE TEMPERATURE  	46
10.6	DISPOSIZIONE DI FISSAGGIO DEL CABLAGGIO CASSETTO  	47
10.7	ISTRUZIONI PER LA CONVERSIONE DEI CASSETTI  	48
10.8	ACCESSO AL PANNELLO ELETTRICO ED AL GRUPPO REFRIGERANTE  	49
10.9	KIT SCARICO BOTTIGLIE 	49
10.10	ISTRUZIONI SOSTITUZIONE APPARATO ILLUMINAZIONE INTERNA	49
11	ISTRUZIONI PER LA PULIZIA	50
11.1	PUNTI DI PULIZIA IMPORTANTI.....	50
11.2	INATTIVITÀ	50

1 GENERALITÀ



Il presente manuale è redatto per il modello più completo: è possibile, quindi, trovare descrizioni o spiegazioni non attinenti alla propria macchina.

La presente documentazione costituisce parte integrante della macchina e deve quindi accompagnarne ogni trasferimento di proprietà o spostamento aziendale.

Prima di procedere all'installazione ed all'uso del distributore, è necessario leggere scrupolosamente e comprendere il contenuto di questo manuale in quanto fornisce importanti informazioni relative alla sicurezza di installazione, alle norme di utilizzo e alle operazioni di manutenzione.

Il presente manuale serve per fornire tutte le necessarie informazioni per poter operare in regime di sicurezza al personale addetto al funzionamento della macchina ed a quello addetto alla normale manutenzione della stessa.

Consigliamo inoltre di contattare la Casa Costruttrice per ogni necessità di informazioni ricambi od accessori; è fatto comunque divieto di procedere alla realizzazione di operazioni delle quali non si sono capite le esatte modalità.

Il libretto o copia dello stesso dev'essere sempre vicino alla macchina per la consultazione da parte dell'operatore; va conservato in un luogo protetto da calore, umidità e agenti corrosivi (olio, lubrificanti, prodotti corrosivi).

Il manuale dev'essere consultato facendo attenzione a non danneggiarlo; non si deve asportare pagine, sostituire o cancellare informazioni, o comunque modificarne il suo contenuto.

Gli eventuali aggiornamenti ed i fogli illustrativi degli accessori, vanno ad integrare il presente manuale e pertanto devono venirvi allegati.

Per accedere all'area ricambi online, digitare l'indirizzo di seguito riportato:

<https://ricambi.fas.it>

L'etichetta Energetica è posizionata all'interno del Manuale d'uso per gli usi previsti dal Regolamento. Si ricorda che l'etichetta energetica va posta sul Distributore solo sul punto vendita: ovvero il luogo in cui gli apparecchi di refrigerazione con funzione di vendita diretta sono esposti o offerti per vendita, noleggio oppure locazione-vendita.

Si ricorda altresì che i dati posti nell'etichetta energetica non sono più validi nel momento in cui la macchina venga trasformata da terzi (esempio a titolo esemplificativo e non esaustivo: assiemaggio periferiche).

In caso di necessità di verifica dei dati, inquadrare il Qrcode in alto a destra nell'etichetta : verrete collegati al Database Europeo Prodotti Eprel, dove troverete gli originali dei dati dichiarati.

1.1 IDENTIFICAZIONE DELLA MACCHINA

Del presente fascicolo, le pagine immediatamente seguenti illustrano all'utente come identificare il prodotto **DISTRIBUTORE AUTOMATICO**; tale informazione risulta molto importante nel tempo allo scopo di garantire al costruttore la possibilità di dare all'utente con velocità e sicurezza informazioni tecniche di qualsiasi tipo oppure facilitare la gestione dei ricambi.

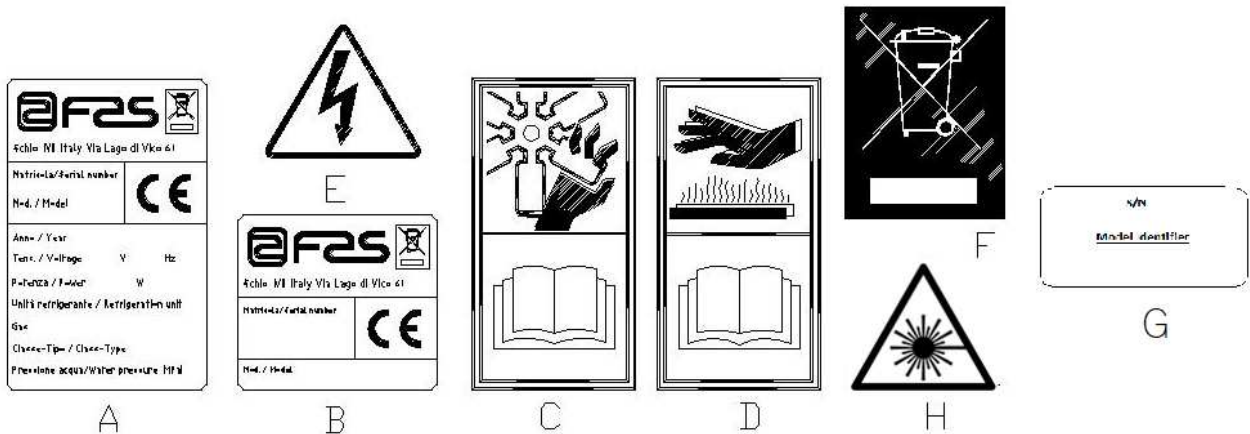


Non rovinare o asportare i supporti necessari all'identificazione del prodotto e gli adesivi di sicurezza.

Il supporto di identificazione è la targa plastificata sulla quale vengono riportati i dati da menzionare al costruttore nel caso di necessità.;

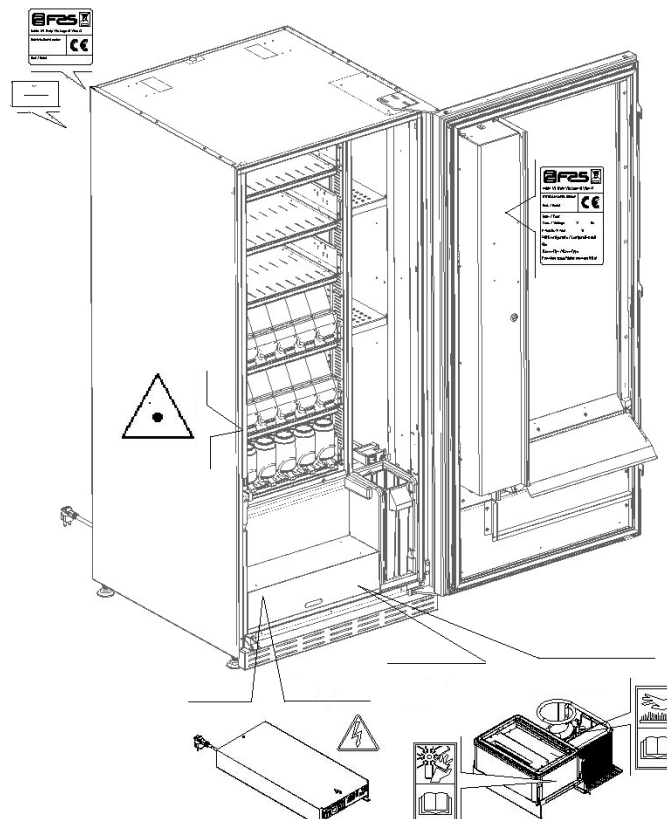
Tale targhetta è l'unica riconosciuta dal costruttore come strumento di identificazione del prodotto.

1.2 DISPOSIZIONE DEGLI ADESIVI









A	Targa di identificazione completa
B	Targa di identificazione
C	Adesivo di sicurezza indicante pericolo per corpi rotanti
D	Adesivo di sicurezza indicante superfici con temperatura elevata
E	Adesivo di sicurezza indicante presenza di tensione elettrica
F	Smaltimento nel rispetto della normativa WEEE, secondo quanto previsto dai recepimenti nazionali.
G	Targa identificazione famiglia energetica
H	(ILLUMINAZIONE LED) RADIAZIONE LASER - NON OSSERVARE DIRETTAMENTE IL FASCIO LASER - PRODOTTO LASER DI CLASSE 2

La targa di identificazione completa "A", riportante tutti i dati della macchina, è posta all'interno del cassone (vedi schema sotto riportato). Qualora sul fianco del cassone fossero presenti delle serigrafie, la targa "B" viene posta sul retro del cassone, in alto a destra. Inoltre, il numero di matricola è riportato sui componenti più importanti della macchina (schede compressore, ventilatori, ecc.).






1.3 GUIDA ALLA CONSULTAZIONE

SIMBOLO	SIGNIFICATO	COMMENTO
	PERICOLO	Indica un pericolo con rischio, anche mortale.
	AVVERTENZA	Indica una avvertenza od una nota su funzioni chiave o su informazioni utili. Prestare la massima attenzione ai blocchi di testo indicati da questo simbolo. Si richiede al personale addetto alle manutenzioni di rilevare un valore di misura, di controllare una segnalazione, verificare il corretto posizionamento di un qualsiasi elemento della macchina ecc, prima di procedere ad un determinato comando od operazione.
	ATTIVITÀ/MANUTENZIONE ORDINARIA	<i>Per manutenzione ordinaria si intende:</i> l'attività di ricarica, di impostazione parametri di controllo, di incasso e di pulizia delle zone a contatto con gli alimenti.
	ATTIVITÀ/MANUTENZIONE STRAORDINARIA	<i>Per manutenzione straordinaria si intendono:</i> le attività di manutenzione più o meno complesse (meccaniche, elettriche ecc.), in situazioni particolari o comunque concordate con l'utilizzatore e non considerate nell'attività di manutenzione ordinaria.
 	RICICLAGGIO	Obbligatorietà di smaltire i materiali rispettando l'ambiente.

Porre poi attenzione particolare ai testi evidenziati in grassetto, con un carattere più grande o sottolineati, poiché si riferiscono comunque ad operazioni o informazioni di particolare importanza.
Gli schemi elettrici, allegati sono ad uso esclusivo del personale tecnico specializzato che viene autorizzato dal costruttore ad eseguire manutenzioni e controlli straordinari.

Nel seguito del manuale, riferendosi alla macchina, con il termine "davanti" o "anteriore" si intende il lato porta, mentre con il termine "dietro" o "posteriore" si intende il lato opposto; i termini "destra" e "sinistra" si riferiscono all'operatore posto sul lato anteriore della macchina e rivolto verso di essa.

Per ogni operazione da eseguire sulla macchina si fa riferimento ai livelli di qualifica descritti di seguito, per individuare il personale abilitato a svolgerla.

Utente finale	Persona privo di competenze specifiche, in grado di svolgere solo attività di acquisto e prelievo del prodotto, attraverso l'uso dei comandi esposti in macchina, oppure seguendo le istruzioni indicate sul display
Operatore addetto alla manutenzione ordinaria	Personale in grado di svolgere i compiti della qualifica precedente e, inoltre, di operare secondo le istruzioni contrassegnate con il simbolo  incluse in questo manuale
Operatore addetto alla manutenzione straordinaria	Personale in grado di svolgere i compiti delle qualifiche precedenti e, inoltre, di operare secondo le istruzioni contrassegnate con entrambi i simboli   inclusi in questo manuale. In taluni casi, i tecnici specializzati devono essere in grado di intervenire anche con protezioni disabilitate, quindi in condizioni di sicurezza precarie. Comunque, tutte le operazioni con organi in movimento e/o con presenza di tensione devono essere svolte in casi eccezionali e solo una volta appurata l'impossibilità di intervento in condizioni di sicurezza adeguate. L'accesso a queste zone dovrebbero essere consentito esclusivamente a persone a conoscenza e con esperienza pratica dell'apparecchio, con particolare riferimento alla sicurezza e all'igiene.

Le operazioni che vengono descritte all'interno di questo Manuale, relative ad ogni fase del ciclo di vita della macchina sono state attentamente analizzate dal costruttore; pertanto il numero degli operatori e la qualifica loro richiesta per ciascuna di esse sono quelli più idonei per svolgere la funzione al meglio.

1.4 SICUREZZE



Questo apparecchio può essere utilizzato da bambini di età non inferiore ad 8 anni e da persone con ridotte capacità fisiche, sensoriali o mentali o con esperienze e conoscenze insufficienti, purché attentamente sorvegliate o istruite su come utilizzare in modo sicuro l'apparecchio e sui pericoli che ciò comporta.



L'uso di accessori o componenti non originali possono compromettere la sicurezza della macchina. Fas non si assume alcuna responsabilità per l'utilizzo di parti o accessori non originali e si ritiene sollevata da qualsiasi danno diretto o indiretto che da un tale utilizzo dovesse derivare. La varietà di prodotti simili eventualmente offerti dal mercato impedisce a Fas un'eventuale verifica su tali componenti. Attenzione: l'utilizzo di parti e ricambi non originali, può far decadere l'intera garanzia sulla macchina.



La costruzione e l'analisi relativa alla sicurezza del distributore automatico fanno riferimento alle norme vigenti.
Il cavo di alimentazione è del tipo con spina non separabile. L'eventuale sostituzione del cavo di collegamento, dovrà essere effettuata solo da personale qualificato del servizio di assistenza.
Qualsiasi intervento diverso dalla manutenzione ordinaria deve essere eseguito con la spina di alimentazione disinserita.



E' obbligatorio usare un abbigliamento idoneo come previsto nel presente manuale e dalle leggi vigenti nel Paese di utilizzo della macchina; vanno in ogni modo evitati abiti larghi e svolazzanti, cinture, anelli e catenine; i capelli, se lunghi, vanno raccolti in un'apposita cuffia.

E' assolutamente vietato far funzionare la macchina con le protezioni fisse e/o mobili smontate o con i dispositivi di sicurezza esclusi.

E' assolutamente vietato rimuovere o manomettere i dispositivi di sicurezza.

Non eseguire nessuna manutenzione o regolazione della macchina senza aver letto ed assimilato il contenuto di questo manuale.

Le operazioni di regolazione a sicurezze ridotte o parzialmente escluse, devono essere eseguite da una sola persona e, durante il loro svolgimento è necessario vietare l'accesso alla macchina a persone non autorizzate; se possibile, si deve tenere esclusa solo una protezione per volta.



Dopo aver effettuato un'operazione di regolazione o manutenzione a sicurezze ridotte, è necessario ripristinare al più presto lo stato della macchina con tutte le protezioni attive.

Il rispetto scrupoloso delle manutenzioni periodiche indicate nel presente manuale è necessario sia per lavorare in sicurezza, sia per mantenere efficiente la macchina.

Accertarsi delle buone condizioni delle etichette di sicurezza e studiarne il significato: sono necessarie per evitare gli infortuni; se queste sono deteriorate, smarrite o appartenenti a componenti sostituiti, devono essere rimpiazzate con altre originali richieste alla Casa Costruttrice collocandole nell'esatta posizione come indicato nel presente libretto



E' bene ricordare che un operatore prudente e in buone condizioni psicofisiche è la migliore sicurezza contro qualsiasi infortunio.



E' assolutamente vietato servirsi degli schemi elettrici per apportare modifiche alla macchina.



L'utilizzo di addetti in numero diverso, o di grado di qualifica inferiore a quanto richiesto, potrebbe mettere in pericolo la sicurezza del personale coinvolto o presente nei pressi della macchina.



I prodotti alimentari erogati dal distributore automatico, devono essere in confezioni sigillate ermeticamente. Attenersi scrupolosamente alle indicazioni del produttore riguardanti la data di scadenza di ciascun prodotto e la temperatura di mantenimento. Il distributore automatico deve essere ritenuto uno strumento idoneo al mantenimento della temperatura dei prodotti e **NON** per il loro raffreddamento. Nel caso di prodotti alimentari freschi e/o facilmente deperibili e comunque in tutti i casi previsti dalla legislazione vigente, è necessario: impostare la temperatura all'interno del distributore automatico in conformità alle leggi in vigore; durante il trasporto al distributore automatico mantenere i prodotti alle temperature previste dalle leggi in vigore.



Questo distributore e' dotato del dispositivo di "sicurezza frigo" conforme alle norme di conservazione dei generi alimentari freschi vigenti in alcuni paesi e consente di mantenere questi prodotti nelle condizioni previste dal manuale purché tali prodotti siano introdotti già alla corretta temperatura prevista di conservazione come prescrivono queste norme. La non osservanza a questa regola potrebbe provocare interventi della "sicurezza frigo".



Per garantire il corretto funzionamento del distributore, non possono essere modificate le posizioni dei cassette.



ATTENZIONE:

L'utilizzo del distributore nella versione "T.A." (temperatura ambiente) senza il gruppo refrigerante, NON prevede la vendita di prodotti alimentari.



In caso di incendio non vanno usati getti d'acqua contro la macchina in quanto potrebbero causare corti circuiti con conseguenti incidenti anche mortali per le persone presenti.



Spegnere la macchina agendo sull'interruttore generale e staccare la spina prima di iniziare le operazioni di pulizia. Non lavare il distributore con getti d'acqua diretti e/o ad alta pressione.



Non Immergere mai la gettoniera nell'acqua
Non usare solventi, spugnette metalliche
Non vaporizzare alcun tipo di lubrificante



Non conservare sostanze esplosive come bombolette aerosol con un propellente infiammabile in questo apparecchio



Questo apparecchio è destinato all'uso in applicazioni domestiche e simili come:

- aree cucina per il personale in negozi, uffici e altri ambienti di lavoro;
- agriturismi e da clienti in hotel, motel e altri ambienti di tipo residenziale;
- ambienti tipo bed and breakfast;
- catering e applicazioni simili non di vendita al dettaglio.



L'apparecchio deve essere collegato ad una rete di alimentazione provvista di messa a terra conforme alle legislazioni vigenti. Si raccomanda di prevedere che la rete di alimentazione elettrica del distributore sia provvista di un dispositivo di disconnessione con un'apertura contatti di almeno 3 mm. Lasciare la spina accessibile ad installazione avvenuta. E' vietato l'uso di prolunghe, adattatori o prese multiple.



ATTENZIONE: durante il posizionamento dell'apparecchio, assicurarsi che il cavo di alimentazione non sia incastrato o danneggiato

2 USO DEL DISTRIBUTORE AUTOMATICO PER LA VENDITA DI PRODOTTI ALIMENTARI



ATTENZIONE:

La determinazione e l'impostazione delle temperature di mantenimento dei prodotti alimentari, devono essere svolte in conformità a quanto stabilito dal produttore e dalle legislazioni vigenti.

Queste attività devono essere assegnate a personale adeguatamente qualificato definito dal gestore dell'apparecchiatura.

Attraverso il distributore automatico possono essere venduti prodotti alimentari.

Alcuni **esempi** di prodotti alimentari vendibili sono:

- caramelle, nocciole, gomme da masticare e dolciumi analoghi
- biscotti cracker e i prodotti da forno analoghi
- i cibi con un livello di pH non superiore a 4,6 o con un valore di attività dell'acqua (Aw) a 25°C non superiore a 0,85
- i cibi mantenuti a una temperatura non superiore a 5°C per i periodi specificati dal produttore, ma non oltre i 5 giorni
- i cibi in contenitori sigillati ermeticamente
- i cibi che sono stati trattati per prevenire il deterioramento

2.1 STIMA DELL'IMPATTO DELLE IMPOSTAZIONI DI TEMPERATURA SUGLI SPRECHI ALIMENTARI

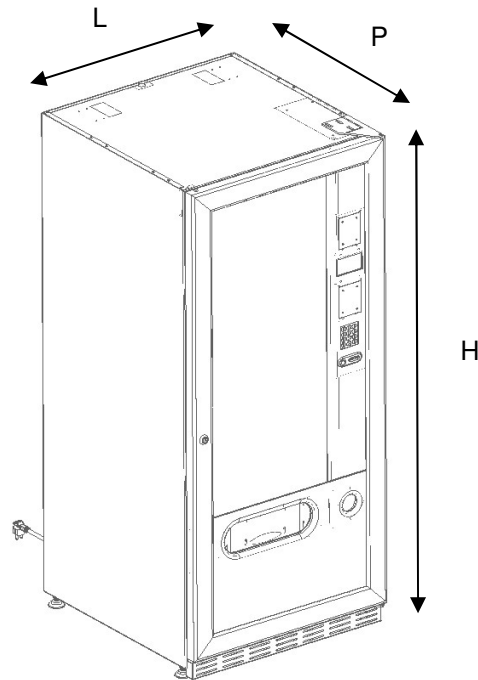


ATTENZIONE:

L'utilizzo dei corretti parametri di programmazione, permetterà di gestire i prodotti alimentari fino alla propria naturale scadenza temporale, minimizzando quindi gli sprechi.

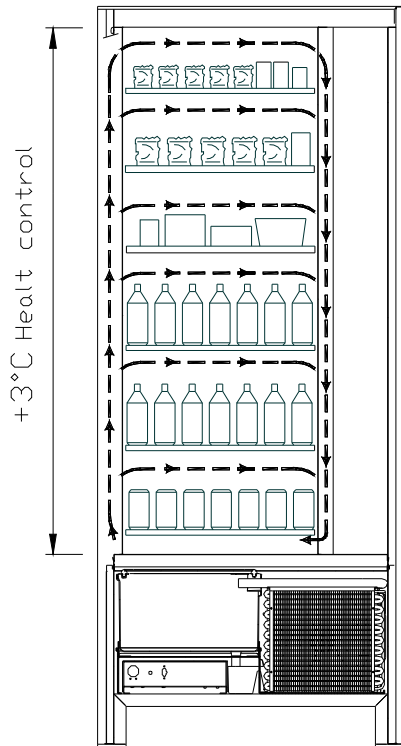
Per contro si consiglia una corretta analisi Haccp, in modo da non avere delle impostazioni di sicurezza frigo (Health Control) troppo strette rispetto ai parametri di temperatura esterni: ricordiamo che per legge, ogni volta che si attiva la sicurezza, è obbligatorio gettare tutto il prodotto deperibile.

3 CARATTERISTICHE TECNICHE



Altezza	H = 1830 mm (YOUNG 183) H = 1700 mm (YOUNG 170)
Larghezza	L = 750 mm
Profondità	P = 790 mm
Peso (senza imballo)	239 kg (YOUNG 183) 224 kg (YOUNG 170)
Tensione nominale	vedi targhetta identificazione
Potenza nominale	vedi targhetta identificazione
Condizioni ambientali limite di funzionamento	Temperatura ambientale max 32°C Temperatura ambientale min. 3°C Umidità relativa max 65%
Sistema di refrigerazione	A compressione - classe N - Evap. Ventilato Sbrinamento ciclico
Sistema di vendita	FIFO
Sportello prelievo	1
Peso max. per cassetto	15 kg Uniformemente distribuito 30 kg Uniformemente distribuito (guide rinforzate)
Livello di pressione sonora ponderato "A"	Inferiore a 70 dB

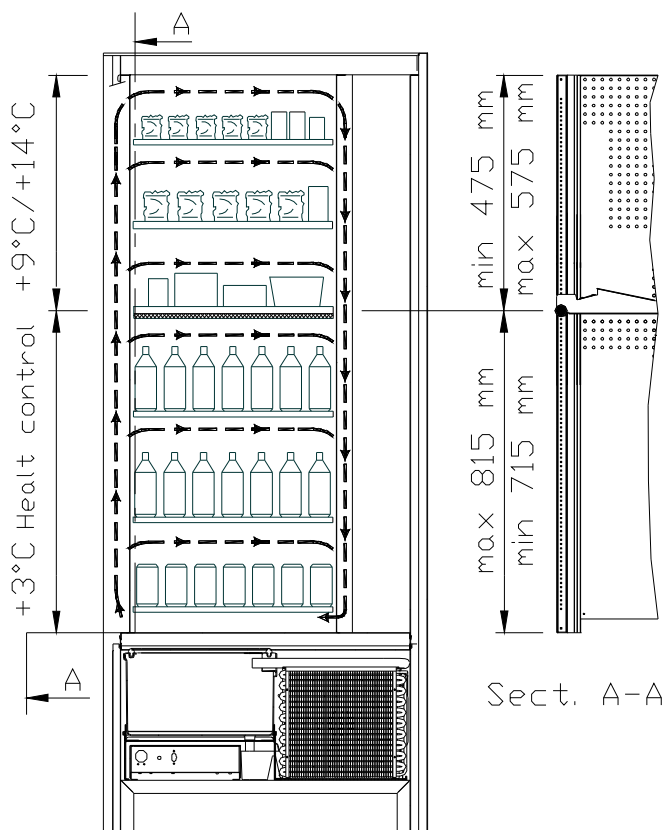
YOUNG 183 1T



- Tutti i cassetti possono essere impostati alla temperatura di +3°C, la quale consente la buona conservazione delle sostanze alimentari che sarebbero deperibili a temperature superiori. In quest'area, in osservanza delle norme "haccp" (hazard analysis and critical control points), è predisposto un controllo, denominato "sicurezza frigo", che interdice la vendita del prodotto qualora si superi la temperatura che può deteriorare il prodotto stesso.

YOUNG 2T consente con un sistema elettronico di avere due aree a temperatura diversificata e precisamente:

➤ YOUNG 183 2T

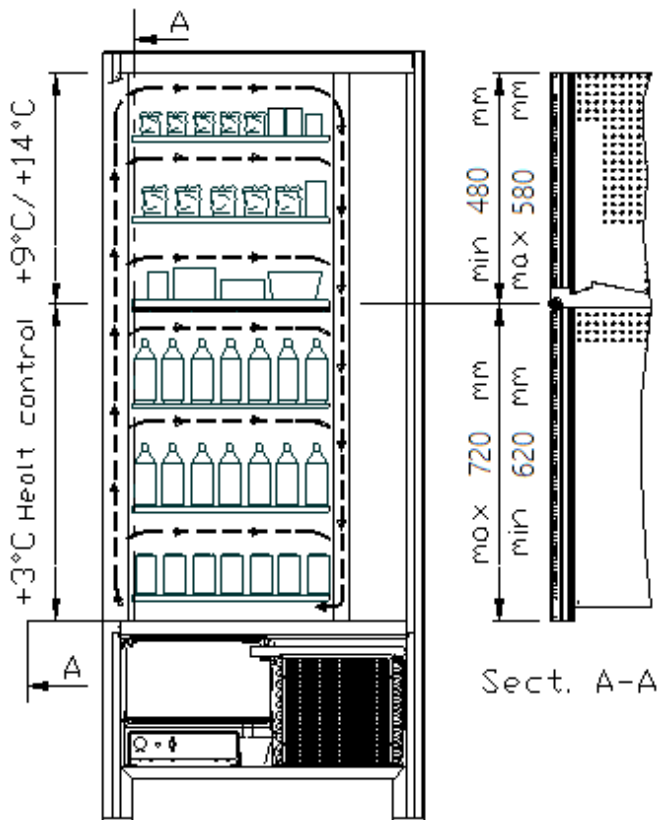


- **area dei cassetti superiori** in cui la temperatura è stratificata da +9°C a +14°C è ideale per i prodotti a lunga conservazione.
- **area dei cassetti inferiori** in cui la temperatura impostabile a +3°C consente la buona conservazione delle sostanze alimentari che sarebbero deperibili a temperature superiori. In quest'area, in osservanza delle norme "haccp" (hazard analysis and critical control points), è predisposto un controllo, denominato "sicurezza frigo", che interdice la vendita del prodotto qualora si superi la temperatura che può deteriorare il prodotto stesso.

Le due zone sono isolate fra di loro mediante un pannello coibente.

➤ YOUNG 170 2T

ITALIANO



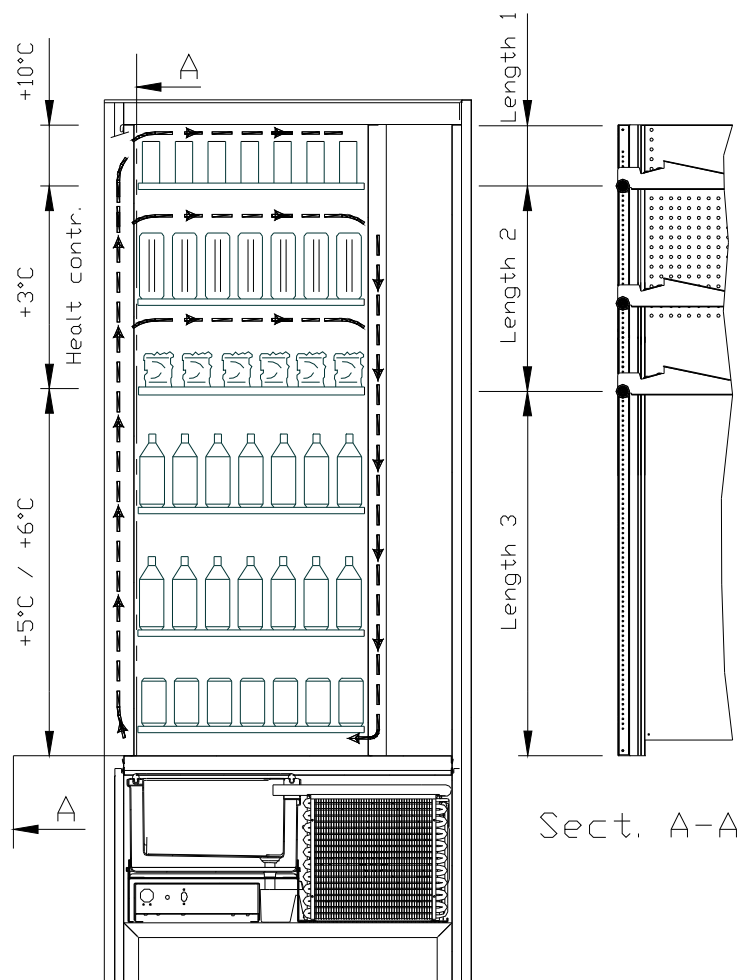
- **area dei cassetti superiori** in cui la temperatura è stratificata da +9°C a +14°C è ideale per i prodotti a lunga conservazione.
- **area dei cassetti inferiori** in cui la temperatura impostabile a +3°C consente la buona conservazione delle sostanze alimentari che sarebbero deperibili a temperature superiori. In quest'area, in osservanza delle norme "haccp" (hazard analysis and critical control points), è predisposto un controllo, denominato "sicurezza frigo", che interdice la vendita del prodotto qualora si superi la temperatura che può deteriorare il prodotto stesso.

Le due zone sono isolate fra di loro mediante un pannello coibente.

YOUNG 183 3T (ogni prodotto conservato a una temperatura ottimale).

YOUNG 3T consente con un sistema elettronico di avere tre aree a temperatura diversificata e precisamente:

- **area del cassetto superiore** in cui la temperatura è di circa $+10^{\circ}\text{C}$ ed è ideale per i prodotti a lunga conservazione.
- **area dei cassettei centrali** in cui la temperatura impostabile a $+3^{\circ}\text{C}$ consente la buona conservazione delle sostanze alimentari che sarebbero deperibili a temperature superiori. In quest'area, in osservanza delle norme "haccp" (hazard analysis and critical control points), è predisposto un controllo, denominato "sicurezza frigo", che interdice la vendita del prodotto qualora si superi la temperatura che può deteriorare il prodotto stesso.
- **area dei cassettei inferiori** in cui la temperatura è di circa $+6^{\circ}\text{C}$ ed è ideale per bibite e/o prodotti a lunga conservazione.



4 COMPONENTI PORTA

- 1 **Display:** Sul display compare il totale delle monete introdotte ed il riferimento della selezione, il prezzo della selezione e tutti i messaggi di funzionamento. In caso di guasto del distributore, il display visualizza il numero d'allarme in corso.
- 2 **Pulsante di reso:** serve per sbloccare le monete incastrate nella gettoniera e il recupero delle stesse nella vaschetta recupero monete.
- 3 **Fessura introduzione monete:** viene usata dal cliente per introdurre il credito necessario all'acquisto del prodotto.
- 4 **Pulsantiera di selezione:** la pulsantiera è composta da una serie di interruttori identificati con lettere e numeri. Per la selezione comporre il numero corrispondente al prodotto desiderato.
- 5 **Portello di prelievo:** viene usato dal cliente per ritirare il prodotto acquistato.
- 6 **Vaschetta recupero monete:** posta sulla parte inferiore, è usata per la restituzione del resto.
- 7 **Serratura porta.**
- 8 **Coprigambe**

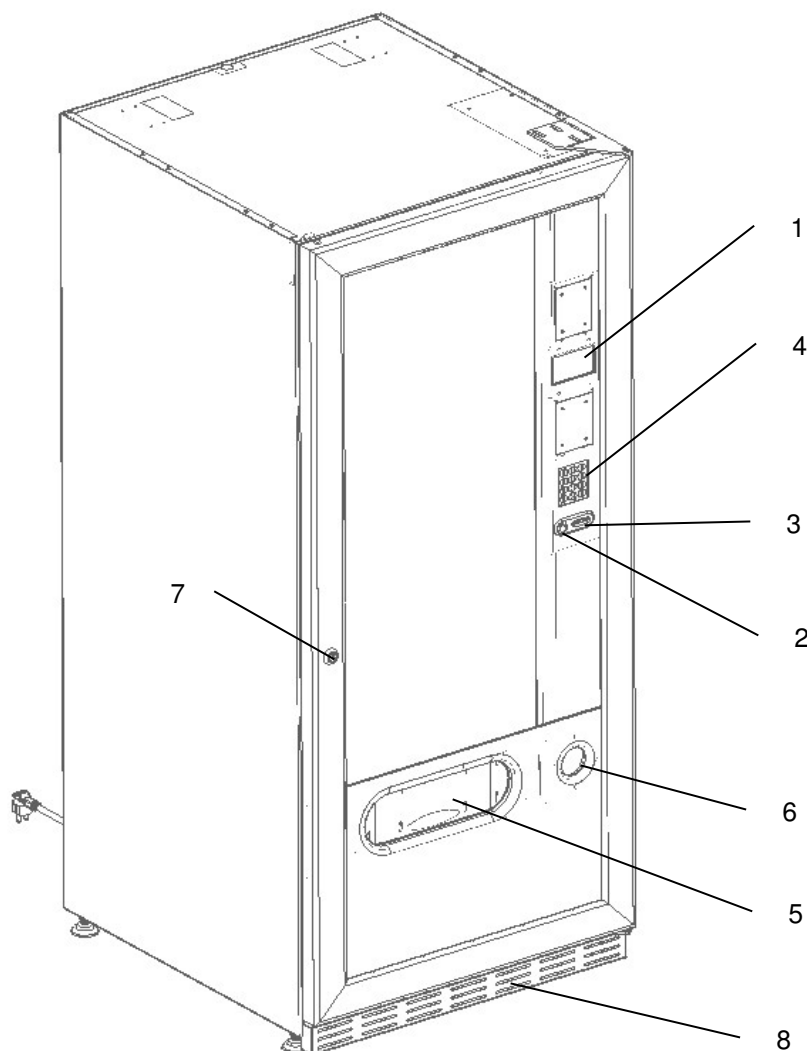


fig. 1

5 COMPONENTI INTERNI

- 1 **Scheda principale:** è situata all'interno dello sportello gettoniera e provvede a gestire le varie funzioni del distributore.
- 2 **Gruppo frigo:** è collocato nella parte inferiore del cassone, dietro la tasca di prelievo e provvede a mantenere la temperatura impostata all'interno del distributore.
- 3 **Pannello elettrico:** il pannello elettrico, posto nella parte inferiore del cassone, dietro la tasca di prelievo, raccoglie tutte le connessioni elettriche, nonché la scheda di potenza e i fusibili.
- 4 **Micro porta:** invia alla scheda l'informazione di "porta aperta".
- 5 **Cassa monete**
- 6 **BARRA DISPLAY PREZZI:** barra retroilluminata che riporta ben comprensibili, in corrispondenza del prodotto, prezzo e numero di selezione. (se presente)

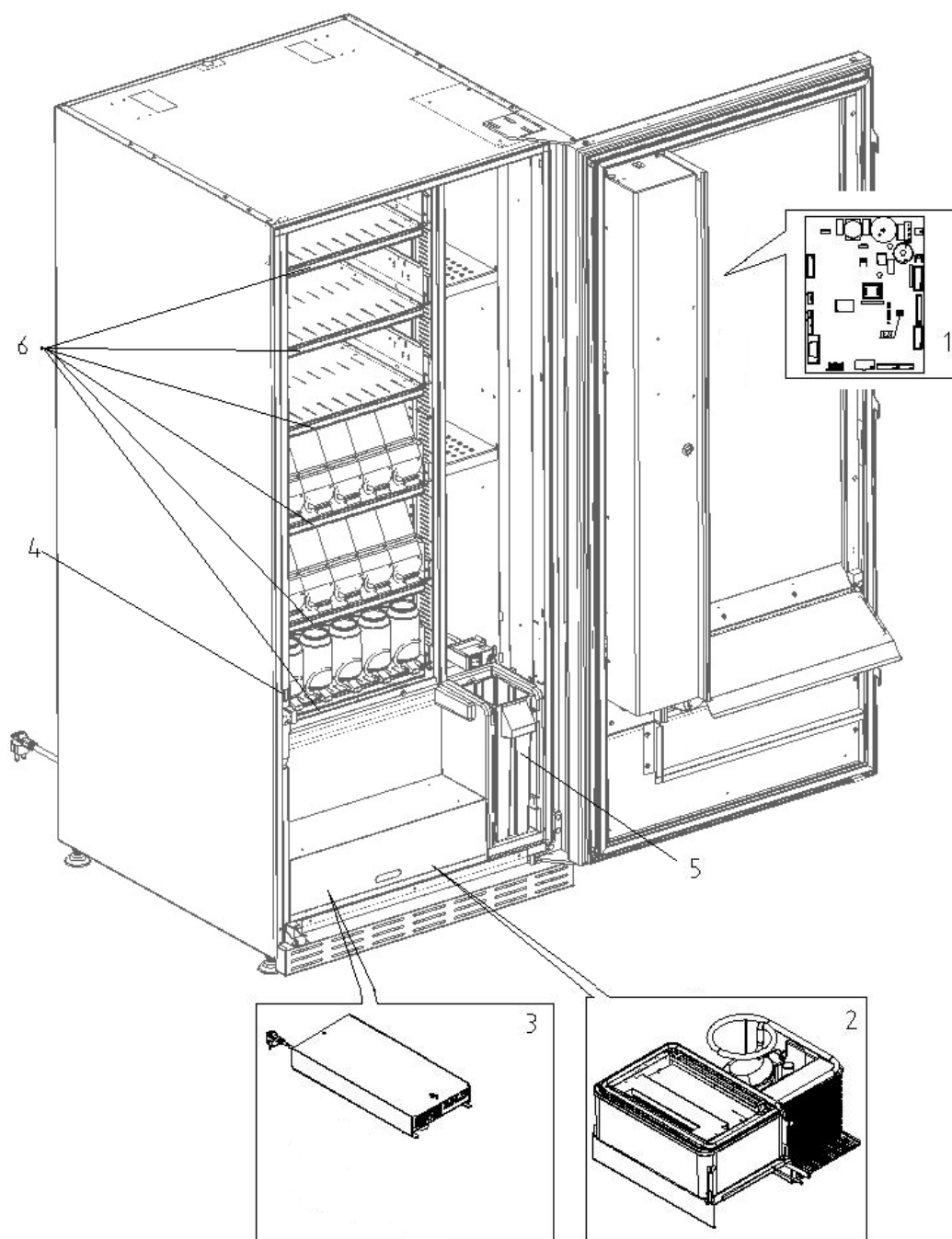


fig. 2

6 TRASPORTO, MOVIMENTAZIONE, STOCCAGGIO E DISIMBALLAGGIO



Nel caso si riscontrino danni al distributore notificateli immediatamente al corriere.

6.1 TRASPORTO E STOCCAGGIO

Al fine di non provocare danni al distributore, le manovre di trasporto sono da effettuarsi con particolare cura ed esclusivamente con il distributore automatico fissato al suo pallet.

Le manovre di carico/scarico devono essere eseguite sollevando il distributore con carrello elevatore sia a motore che manuale, posizionando le forche nella parte sottostante del pallet.

La movimentazione per brevi tragitti, per esempio all'interno di uno stabilimento o di un ufficio, può essere eseguita senza l'utilizzo del pallet, con la massima cura in modo da non danneggiare il distributore. È invece sempre **vietato**:

- Coricare il distributore;
- Trascinare il distributore con funi o altro;
- Sollevare il distributore con prese laterali;
- Sollevare il distributore con qualsiasi imbracatura o fune;
- Scuotere o dare scossoni al distributore ed al suo imballo.



È vivamente sconsigliato coricare il distributore per evitare che l'olio contenuto nel compressore non sia più nella sede adeguata a garantire la lubrificazione corretta dello stesso e quindi provocare rotture all'avviamento.
Nel caso in cui il distributore venga comunque coricato, porre lo stesso in ambiente a temperatura non inferiore a 18°C, quindi attendere almeno 2 ore prima della sua messa in funzione.

Per quanto riguarda lo stoccaggio delle macchine è opportuno che l'ambiente di conservazione sia ben asciutto con temperature comprese fra 0 e +40°C.

Coprire la macchina dopo averla stazionata in ambiente protetto ed evitare spostamenti o urti accidentali. È **vietato** sovrapporre più macchine imballate e mantenere la posizione verticale indicata dalle frecce sull'imballo stesso.

6.2 DISIMBALLAGGIO

I materiali dell'imballo dovranno essere rimossi con attenzione per non danneggiare il distributore, ispezionate l'interno e l'esterno del cassone per verificare la presenza di eventuali danni. Non distruggere i materiali d'imballo fino a quando il rappresentante del corriere non li abbia esaminati.



Ricordarsi di rimuovere i componenti di imballo o le dotazioni poste all'interno del distributore automatico che potrebbero impedire il corretto funzionamento della macchina.

Per togliere la macchina dal pallet, è sufficiente svitare le 4 viti a testa esagonale che fissano il basamento del distributore al pallet stesso, di cui 2 poste sulla parte posteriore del distributore, 2 sulla parte anteriore ed accessibili aprendo la porta.

Per assicurare una appropriata circolazione d'aria dell'unità di refrigerazione, rimontare capovolte le staffe posteriori che fissano il distributore al pallet.



I materiali d'imballo devono essere smaltiti rispettando l'ambiente e la legislazione in vigore.



Sollevare il distributore automatico assicurandosi che i piedini di sostegno escano dalla sagoma del pallet.

6.3 INSTALLAZIONE

Il distributore dev'essere posizionato su un'area (pavimento, soppalco) areata o areabile adatta a sopportarne il peso.



L'apparecchio non è idoneo per installazioni all'esterno, non deve essere esposto ai raggi diretti del sole o in luoghi in cui possono essere usati getti d'acqua. L'apparecchio può essere installato in luoghi la cui temperatura ambiente sia compresa tra 3°C e 32°C.

Verificare che la portata dell'impianto sia adeguata alla potenza massima del distributore indicata in targa. In caso di dubbio rivolgersi a personale professionalmente qualificato. Quest'ultimo, in particolare, dovrà anche accertare che la sezione dei cavi dell'impianto sia idonea alla potenza assorbita dal distributore stesso.



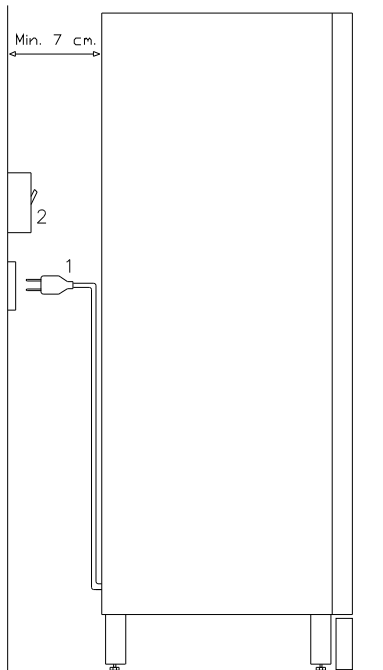
Le seguenti indicazioni sono valide solo per il Regno Unito.

I cavi nel conduttore sono colorati secondo il seguente codice:
VERDE E GIALLO- MASSA ---- BLU - NEUTRO ---- MARRONE - FASE
 Poiché i colori dei fili nel conduttore di questo apparecchio potrebbero non corrispondere alle marcature colorate nei morsetti della vostra presa, procedere come segue:
 Il filo di colore VERDE e GIALLO deve essere collegato con il morsetto della presa contrassegnato dalla lettera E o dal simbolo di massa o colorato in VERDE o VERDE e GIALLO. Il filo di colore BLU deve essere collegato con il morsetto della presa contrassegnato dalla lettera N o colorato in NERO o BLU. Il filo di colore MARRONE deve essere collegato con il morsetto della presa contrassegnato dalla lettera L o colorato in ROSSO o MARRONE.



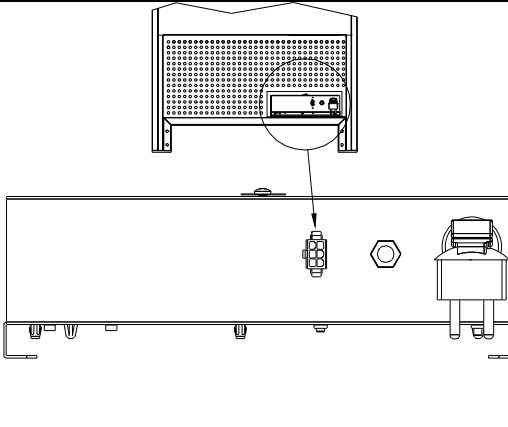
Il costruttore declina ogni responsabilità per danni causati dalla inosservanza delle precauzioni sopra riportate.

- Una volta effettuati i collegamenti il distributore deve essere collocato vicino ad una parete ed in modo che lo schienale abbia una distanza minima di 7 cm dalla stessa per permettere la regolare ventilazione.
- Dopo aver posizionato il distributore, regolare i quattro piedini regolabili in modo che il distributore automatico sia in posizione perfettamente orizzontale; tutti i piedini devono toccare il pavimento.
- Montare il coprigambe anteriore.
- Controllare sia il coprigambe anteriore che le reti dietro e sotto il gruppo frigorifero siano sempre pulite e non ostruite.



Descrizione dei collegamenti :

- 1 Spina tipo "schuko"
- 2 Interruttore magnetotermico differenziale

	<p>COLLEGAMENTO MASTER / SLAVE</p> <p>Sulla macchina MASTER è possibile collegare un distributore slave. Viene utilizzato un cavo seriale ed il connettore è accessibile dal retro della macchina.</p> <p>E' anche possibile collegare una Stand-Alone in modalità Slave, vedi comando 49.</p> <p>In presenza di un distributore SLAVE è necessario il suo collegamento ad un distributore Master per il corretto funzionamento. Tutti i parametri di funzionamento, infatti, sono impostabili solo attraverso i comandi della macchina master. In particolare la temperatura per la conservazione dei prodotti deperibili è garantita solamente se la macchina Slave è collegata ad una macchina Master impostata con i corretti parametri di programmazione</p>
---	--

- Per accendere la macchina seguire le seguenti operazioni. Connettere il cavo di alimentazione. Se compare sul display la scritta "MEMORY CLEARED" premere il pulsante situato sulla scheda principale all'interno box gettoniera per inizializzare la memoria. Sul display appare il messaggio "PORTA APERTA". Il distributore inizierà automaticamente un autotest. Se non viene identificato alcun errore la macchina sarà pronta all'uso.
- Programmare la macchina (vedi cap. "PROGRAMMAZIONE"), impostare i PARAMETRI FRIGORIFERO (vedi relativo paragrafo) in conformità ai prodotti alimentari introdotti nel distributore ed impostare i prezzi.
- Se la macchina è fornita di gettoniera renderesto inserire nei tubi renderesto le monete corrispondenti.
- Caricare i prodotti nella macchina (vedi paragrafo Caricamento prodotti).

6.4 AVVERTENZA PER L'INSTALLAZIONE

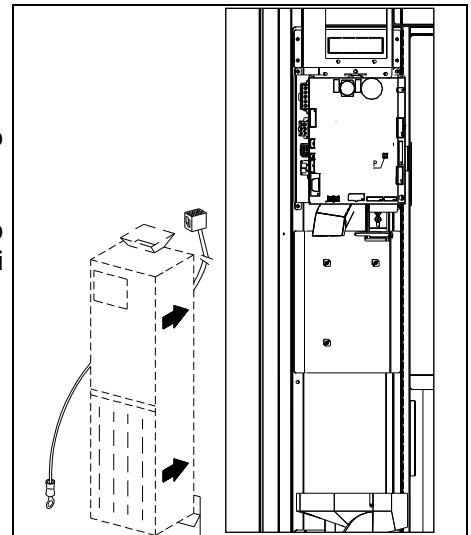
La macchina viene venduta priva di sistema di pagamento, pertanto qualsiasi guasto alla macchina oppure danni a persone o cose derivanti da errata installazione del sistema di pagamento, saranno solo ed esclusivamente a carico di chi ne ha eseguito l'installazione.

6.5 COLLEGAMENTO SISTEMA DI PAGAMENTO

La connessione e la disconnessione della gettoniera devono essere eseguiti a macchina spenta.


A fianco della scheda main si trovano i connettori per il collegamento della gettoniera. Il distributore è predisposto per sistemi di pagamento con protocolli, 'EXECUTIVE', 'MDB'.

- Fissare la gettoniera sul sostegno, posizionandola entro i perni.
- Collegare i connettori della gettoniera alla macchina.
- Regolare lo scivolo introduzione monete sull'imbocco della gettoniera
- Regolare il leveraggio del pulsante di reso



7 AVVERTENZA PER LA DEMOLIZIONE MACCHINA

Qualora la macchina venisse disinstallata per essere definitivamente demolita é obbligatorio attenersi alle leggi vigenti per la salvaguardia dell'ambiente. Tutti i materiali ferrosi, plastici o altro nei depositi autorizzati. Particolare attenzione deve essere fatta per:

	<p>Gas presenti nell'unità refrigerante che, di qualsiasi tipo siano (vedi targhetta identificazione), devono essere recuperati con apposite attrezzature da ditte specializzate</p> <p>Materiale di isolamento devono essere recuperati da ditte specializzate.</p>
---	--

In caso di dubbio, consigliamo di chiedere informazioni presso i locali organi competenti allo smaltimento dei rifiuti.

8 INTERVENTI SUL DISTRIBUTORE

8.1 CARICAMENTO PRODOTTI

Una volta eseguita la procedura di messa in opera ed effettuata la programmazione della macchina, procedere come segue:

- 1) Aprire la porta.
- 2) Estrarre un cassetto alla volta, afferrandolo nella parte inferiore, tirando verso l'esterno fino a che non trovate il punto di fermo. Il cassetto si inclinerà verso il basso facilitando il caricamento.
- 3) Cominciare il caricamento dal davanti verso l'interno, assicurandosi che tutti gli spazi siano riempiti. Il fondo del prodotto dovrebbe essere sistemato sul fondo del compartimento, giusto sopra la spira con l'etichetta rivolta verso la vetrina in modo che sia riconoscibile dal cliente. Tutti i prodotti si devono inserire facilmente fra le spire, non inserire oggetti più grandi, le spirali possono avere passi diversi e quindi scegliere la spirale adatta al prodotto che si vuole vendere o viceversa scegliere il prodotto in base alle spirali che si hanno.
- 4) Completato il caricamento di tutti i cassettei, assicurarsi che ritornino nella posizione "STANDBY"; ogni spirale può essere ruotata di 45 gradi per volta. La maggior parte degli articoli si vende senza problemi quando l'estremità della spirale è posizionata a ore 6. Per i prodotti in brick regolare l'estremità 90 gradi in anticipo.

NOTE: I prodotti in sacchetto o in scatola se non posizionati in modo proprio possono creare problemi. Il bordo sigillato del sacchetto può infilarsi sotto il filo della spirale impedendo la caduta dello stesso. Si raccomanda di ripiegare in avanti ed in alto prima che venga inserito nello spazio della spirale. Quando si caricano prodotti come ad es. tortine, biscotti, articoli "fragili", dovrebbero essere posizionati nei cassettei più bassi, in modo che non si danneggino con la caduta.

8.1.1 AVVERTENZE CARICAMENTO PRODOTTI

Verificare sul capitolo CARATTERISTICHE TECNICHE a quale configurazione corrisponde il Vs. distributore automatico, per identificare con precisione la zona con il controllo della "sicurezza frigo".

Nella fase di prima accensione, attendere il raggiungimento della temperatura di regime, che avviene dopo circa 12 ore. Verificare in ogni caso, prima di introdurre i prodotti refrigerati, che l'apparecchiatura al suo interno abbia raggiunto la temperatura inferiore ai 4°C (vedi Comando 66 e Comando 67).

Nel caso di intervento della "sicurezza frigo", i prodotti delle selezioni fuori servizio, dovranno essere eliminati; anche in questo caso, alla riaccensione, si deve attendere il raggiungimento della temperatura a regime, prima di poter introdurre i nuovi prodotti refrigerati.

I termini sicuri per i prodotti refrigerati, possono essere raggiunti soltanto se il tempo totale di porta aperta, si limita ad un massimo di 15 minuti. Si raccomanda pertanto di eseguire qualsiasi operazione nel minor tempo possibile.

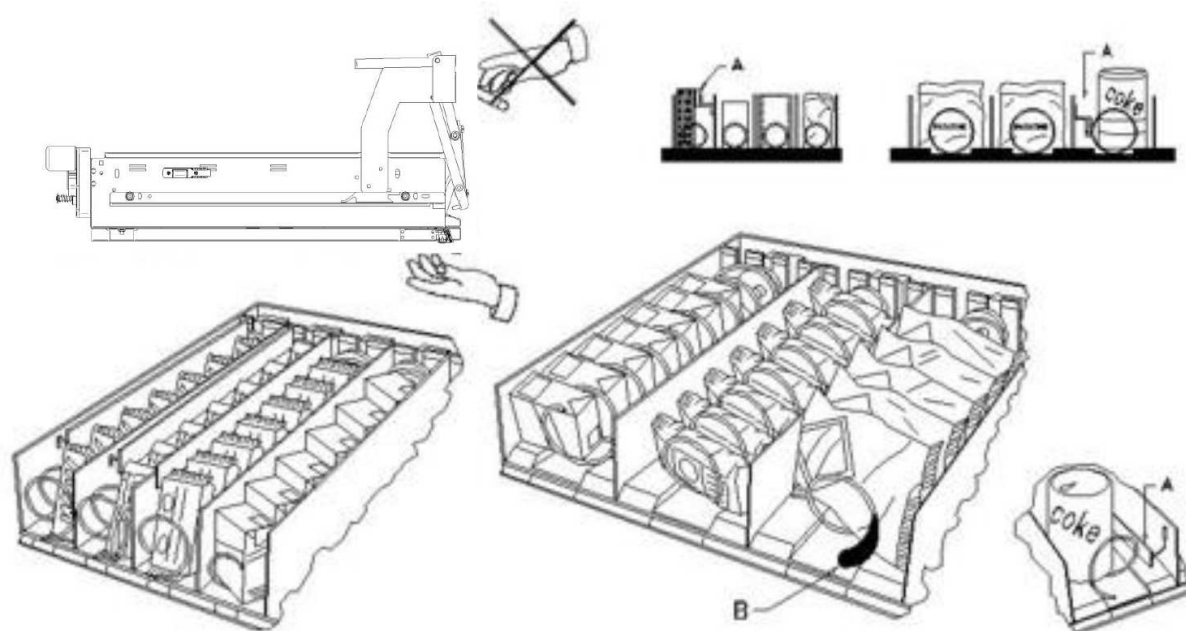


fig. 3

8.2 DISTANZIATORI PER PRODOTTI SUI CASSETTI (fig. 3)

I distanziatori "A" sono forniti per essere usati quando si devono caricare prodotti "stretti".

Sistemateli in modo che riescano a contenere il prodotto abbastanza liberamente verso la parte destra del comparto, in modo che si regga ben dritto.

Per regolare il distanziatore tirare in avanti per fare lo spazio più stretto e spingere indietro per fare lo spazio più largo, lasciare comunque 3 mm fra spaziatore ed il prodotto.

8.3 ESPULSORE PER PRODOTTI (fig. 3)

L'espulsore B può essere usato quando ci sono prodotti insacchettati come ad esempio patatine o simili. L'espulsore li aiuterà a fuori uscire dalla spirale. Si aggancia al filo dell'estremità della spirale ed agisce come un'estensione per il prodotto in vendita e lo spingerà ulteriormente fuori dal cassetto.

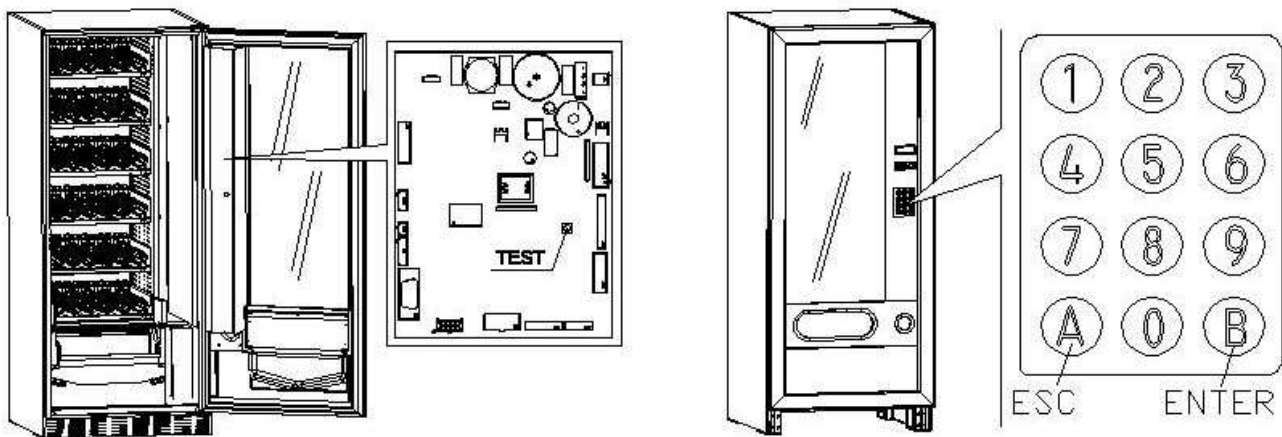
8.4 OPERAZIONI DI VENDITA DI UN PRODOTTO

Dopo aver caricato il distributore con i prodotti voluti, aver impostato i prezzi di vendita per ciascun prodotto, aver posizionato i cartelli prezzi, aver controllato che i cassettei siano ricollocati nella posizione di vendita, la macchina è pronta per vendere.

- 1) Introdurre il credito sufficiente all'acquisto del prodotto.
- 2) Comporre sulla tastiera la combinazione corrispondente al prodotto scelto.
- 3) Prelevare dallo sportello il prodotto.

9 TASTIERA FUNZIONI/PROGRAMMAZIONE

Eseguita la procedura di installazione, aprire lo sportello e mantenere premuto per circa 3 sec. il pulsante "TEST" della scheda principale, finché la cicalina emetterà un suono prolungato. Questo significa che si è entrati in modo programmazione ed il display visualizzerà "Comando 00".



Da questo menù principale, si può accedere direttamente ad alcuni dati oppure ad altri sottomenù. Digitare sulla **Pulsantiera a selezione diretta**, il corrispondente comando e premere **il tasto B (ENTER)**, per confermare la scelta.

Il tasto **B** serve anche per confermare i dati inseriti da tastiera e memorizzarli, in tal caso sul display compare per alcuni secondi la scritta "OK". Per uscire dalla programmazione o per passare da un sottomenù al menù principale basta premere **il tasto A (ESC)**.

Attenzione, se il pulsante "TEST" viene rilasciato prima del tempo necessario il distributore entra nella modalità "verifica selezioni" descritta successivamente. In tal caso bisogna uscire da tale modalità, premendo nuovamente il pulsante "TEST", quindi ripetere le operazioni per l'entrata in programmazione.

Ad ogni apertura della porta, sul display verranno visualizzate, se presenti, le selezioni che si trovano fuori servizio o, non sono in "home position" in quanto hanno eseguito il quarto di giro (vedi Comando 76). Le selezioni possono essere ripristinate (facendole ruotare) ad ogni pressione del tasto "B". Se la porta viene richiusa senza aver ripristinato tutte le selezioni, l'evento viene registrato come errore visualizzato al Comando 99 con il codice 91.

ATTENZIONE: la rotazione per il ripristino della selezione, potrebbe provocare la caduta del prodotto sul pavimento operando a porta aperta.

N.B.: con collegamento SPIRALI SLAVE abilitato (vedi comando 49), successivamente alla visualizzazione macchina MASTER, premendo il pulsante A (ESC), si accede alla visualizzazione dei medesimi dati relativamente alla macchina SLAVE.

9.1 VERIFICA SELEZIONI

E' possibile eseguire anche una prova di funzionalità del distributore, a questo scopo bisogna premere il pulsante test situato sulla scheda principale, sul display comparirà il messaggio 'SELEZIONI OK'. In alternativa potrà comparire un identificatore (es. 12, 14...) ad indicare che durante il funzionamento si è verificata un'anomalia e le spirali indicate sono fuori servizio. Per il ripristino basta eseguire la selezione indicata sul display; se durante la prova si verifica un errore di funzionamento sul display rimarrà lo stesso identificatore di spirale altrimenti si passerà alla successiva selezione fuori servizio. Se tutte le selezioni sono in ordine comparirà sul display il relativo messaggio. In questa fase possono essere provate tutte le selezioni digitando il corrispondente identificatore. Alla fine del test per ritornare al funzionamento normale è sufficiente premere nuovamente il pulsante test situato sulla scheda principale.

N.B. Per evitare possibili errori la macchina ritorna automaticamente in funzionamento normale dopo circa 1 minuto, in cui non vengono eseguite operazioni, dall'entrata in modalità test.

Se durante la prova o il ripristino dovessero verificarsi ripetutamente degli errori significa che l'anomalia non è occasionale ma potrebbe derivare dalla rottura di qualche componente richiedendo l'opportuno intervento tecnico.

9.2 ELENCO COMANDI PROGRAMMAZIONE

ACCESSO AI SOTTOMENU'

Comando	01	Test macchina
Comando	02	Impostazione orologio timer giornalieri
Comando	03	Richiamo sottomenù impostazione prezzi
Comando	04	Richiamo sottomenù impostazione prezzi scontati
Comando	05	Richiamo sottomenù impostazione riferimenti ai prezzi
Comando	06	Impostazione codice prodotto
Comando	07	Visualizzazione vendite per selezione prezzo intero
Comando	08	Visualizzazione vendite per selezione prezzo scontato
Comando	09	Visualizzazione totali non azzerabili
Comando	10	Visualizzazione totali azzerabili
Comando	11	Impostazione sequenze di selezioni
Comando	15	Menù concatenati
Comando	25	Abilitazione motore rendiresto e micro introduzione monete
Comando	26	Attivazione dispositivo antiminore (se presente)

COMANDI da 27 a 39

Modalità EXECUTIVE *vedi paragrafo: UTILIZZAZIONE SISTEMI DI PAGAMENTO EXECUTIVE STD/EXECUTIVE PRICE HOLDING.*

Modalità BDV *vedi paragrafo BDV.*

Modalità MDB *vedi paragrafo MDB.*

IMPOSTAZIONE PARAMETRI FRIGORIFERO

Comando	40	Abilitazione vetrocamera riscaldata e scelta gruppo refrigerante MASTER e SLAVE
Comando	41	Impostazione temperatura interna
Comando	43	Impostazione temperatura fine sbrinamento
Comando	44	Impostazione intervallo sbrinamento
Comando	45	Impostazione tempo esclusione sicurezza frigo
Comando	46	Impostazione temperatura sicurezza frigo
Comando	48	Impostazione cassette con sicurezza frigo

IMPOSTAZIONE PARAMETRI MACCHINA

Comando	49	Abilitazione/Inibizione spirali slaves
Comando	50	Configurazione macchina (numero selezioni/cassetto spingitori/timeout azionamento)
Comando	55	Multifunzione di abilitazione barre display prezzi (se presente)
Comando	56	Opzioni di funzionamento barre display prezzi (se presente)
Comando	58	Abilitazione modalità conferma selezione o preselezione
Comando	59	Contatore battute
Comando	60	Cancella memoria
Comando	61	Azzeramento security/access code
Comando	62	Abilitazione sconto
Comando	63	Impostazione mono/multivendita e opzione overpay
Comando	64	Impostazione lingua visualizzazione messaggi
Comando	66-67	Visualizzazione temperature interne e temperature evaporatore
Comando	68	Impostazione descrizione valuta visualizzata
Comando	69	Impostazione sistema di pagamento
Comando	70	Opzione funzionamento segnalazione acustica /sfondo display Grafico
Comando	73	Abilitazione fotocellule
Comando	74	Test fotocellule
Comando	75	Impostazione parametri di funzionamento della barriera fotocellule
Comando	76	Opzioni di funzionamento del sistema ("opzioni FTC")
Comando	80	Menu' gestione USB
Comando	85	Visualizzazione checksum e versione software della scheda main e power
Comando	88	Abilitazione riscaldamento prodotti su MODULO WAVE (se presente):
Comando	90	Selezione protocollo di AUDIT / abilitazione telemetria/cancellazione dati interim
Comando	91	Inserimento dati identificazione macchina
Comando	92	Azzeramento dati di vendita

- Comando 95** Impostazione funzioni di visualizzazione del display(message box utente/ slide show interno/slide show USB)
- Comando 99** Accesso al menu visualizzazione eventi.

9.2.1 ACCESSO AI SOTTOMENU'

Comando 01 Test macchina:

Viene utilizzato per eseguire il test delle selezioni. Digitando 01 seguito dal tasto B, appare il messaggio "Selezione nr. 00", impostare il numero di selezioni presenti in macchina (numero di motori) e premere B. La macchina eseguirà la verifica delle selezioni effettivamente presenti (Test 12). Se il numero trovato è discorde con il valore impostato, sul display appare la scritta " CONFIG ERROR". Questo significa che una o più selezioni non sono elettricamente collegate, effettuare quindi una verifica dei cablaggi. Se invece il numero di selezioni trovate è concorde con il valore impostato, vengono eseguiti 3 cicli di erogazioni per ciascuna selezione. Se durante questa fase si verifica una qualche anomalia del funzionamento di una selezione, il test si blocca e sul display rimarrà visualizzato il corrispondente codice di selezione. Se il test va a buon fine la macchina ritorna al menù principale della programmazione (comando 00).

Comando 02 Impostazione orologio timer giornalieri:

Digitare 02 e premere ENTER, sul display appare il menu e sono disponibili le seguenti opzioni:

1. **Data/ora**
2. **Timers settimanali**
3. **Opzioni illuminazione**

1.Data/ora:

Questo comando serve per impostare l'orologio presente nella scheda VMC, data; ora e giorno della settimana (la data è nel formato anno/mese/giorno YYMMDD).

Si imposta anche l'opzione di visualizzazione dell'orologio sulla quinta riga del display).

2.Timers settimanali :

Si accede al sottomenu impostazione dei timer settimanali che ha le seguenti opzioni:

1. **Risparmio energetico**
2. **Sconto per fasce orarie**
3. **Inibizione Macchina/selezioni**

1.Il primo parametro è l'abilitazione/inibizione (1/0) dell'opzione "risparmio energetico". Se l'opzione è abilitata, essendo il timer settimanale, viene chiesto di scegliere il giorno la scelta viene effettuata scorrendo i valori con un tasto numerico qualsiasi e confermando la scelta con tasto "B". si possono quindi programmare 3 periodi giornalieri di attivazione/disattivazione della funzione.

Vengono quindi proposte 3 opzioni: 1. Copiare le fasce orarie programmate sul giorno successivo; 2. Copiare le fasce orarie programmate per tutti i giorni della settimana; 3. Modificare le fasce orarie del giorno stesso.

2.Il primo parametro è l'abilitazione/inibizione (1/0) dell'opzione "sconto per fasce orarie". Se l'opzione è abilitata si ripete la sequenza descritta al punto precedente.

3.anche in questo caso il primo parametro è l'abilitazione/inibizione (1/0) dell'opzione "Inibizione macchina/selezioni". Se l'opzione è abilitata si ripete la sequenza descritta al punto 1.

A seguire si imposta l'applicazione dell'inibizione per tutta la macchina o solo parziale in quest'ultimo caso bisogna impostare per quali selezioni si desidera applicare l'inibizione oraria.

3. Opzioni illuminazione

Con questo comando, si imposta lo spegnimento totale = 0 o, l'attenuazione della luminosità = 1 dell'illuminazione durante le fasce orarie di risparmio energetico (vedi Allarme 11). A seguire il sistema chiede l'opzione spegnimento led a porta aperta, 1 = abilitato, 0 = non abilitato.

Comando 03 Richiamo sottomenù impostazione prezzi (vedi anche Comando 69):

Digitare 03 e premere **ENTER**, si richiama il sottomenù impostazione prezzi per selezione, sul display appare **'Selezione numero 0'**.

Digitare il numero della selezione di cui si desidera visualizzare o modificare il prezzo e premere **ENTER**. Sul display apparirà la scritta **'Prezzo.....'**, quindi inserire il nuovo valore del prezzo e premere nuovamente **ENTER** per memorizzarlo oppure premere il tasto **ESC** per tornare al menù principale senza modifiche.

Per impostare il prezzo della selezione 6 a 1,20 € procedere come segue:

- Modo programmazione, display visualizza..... Comando 0
- Digitare 03 e premere ENTER, display visualizza..... Selezione numero 0
- Digitare 6 e premere ENTER sul display compare valore attuale del prezzo Prezzo N
- Impostare valore 120 e premere ENTER.

In alternativa, si possono programmare i prezzi per cassetto: la selezione 91 implica che tutte le selezioni del primo cassetto in alto, abbiano lo stesso prezzo imposto. Selezione 92 = 2° cassetto; 93 = 3° cassetto; 94 = 4° cassetto; 95 = 5° cassetto; 96 = 6° cassetto; 97 = 7° cassetto. Programmando il prezzo alla selezione 99, i prezzi di tutte le selezioni del distributore vengono eguagliati al valore impostato.

La programmazione del valore dei prezzi interi modifica il valore del corrispondente prezzo scontato eguagliandoli. Pertanto qualora si venda a prezzi differenziati, cioè con lo sconto, si deve prima programmare il prezzo intero e poi il prezzo scontato e mai viceversa o solamente uno dei due.

N.B.: con collegamento SPIRALI SLAVE abilitato (vedi comando 49), successivamente all'impostazione macchina MASTER, premendo il pulsante ESC, si accede all'impostazione dei medesimi parametri relativamente alla macchina SLAVE.

Comando 04 Richiamo sottomenù impostazione prezzi scontati:

Questo comando ha le stesse funzioni del comando 03, con la differenza che questo comando imposta i prezzi scontati.

In modalità MDB questi prezzi si riferiscono all'acquisto mediante chiave o carta di credito oppure per acquisti in determinate fasce orarie o entrambi, vedi in proposito la descrizione del comando 61. Inoltre se il sistema cashless MDB permette di scegliere tra due differenti tabelle prezzi applicabili al prodotto, con questo comando si impostano i prezzi relativi alla tabella 2, i prezzi relativi alla tabella 1 si impostano al comando 03. In alternativa, si possono programmare i prezzi per cassetto: la selezione 91 implica che tutte le selezioni del primo cassetto in alto, abbiano lo stesso prezzo imposto. Selezione 92 = 2° cassetto; 93 = 3° cassetto; 94 = 4° cassetto; 95 = 5° cassetto; 96 = 6° cassetto; 97 = 7° cassetto. Programmando il prezzo alla selezione 99, i prezzi di tutte le selezioni del distributore vengono eguagliati al valore impostato.

N.B.: con collegamento SPIRALI SLAVE abilitato (vedi comando 49), successivamente all'impostazione macchina MASTER, premendo il pulsante ESC, si accede all'impostazione dei medesimi parametri relativamente alla macchina SLAVE.

Comando 05 Richiamo sottomenù impostazione riferimenti ai prezzi:

Questo comando si utilizza esclusivamente quando si impostano i prezzi nella gettoniera.

Digitare 05 e premere ENTER, si entra nel sottomenù impostazione riferimenti ai prezzi e sul display appare **'Selezione Numero 0'**. Questo sottomenù consente di associare ad ogni selezione un numero di prezzo. Digitare il codice che identifica la selezione e premere ENTER, sul display comparirà il **numero** del prezzo associato alla selezione scelta, digitare il **numero** del nuovo prezzo che si desidera associare alla selezione e premere ENTER per memorizzarlo oppure premere ESC per tornare al sottomenù lasciando memorizzato il valore precedente. Quindi ripetere la procedura per un'altra selezione oppure ritornare al menù principale premendo il pulsante ESC.

Se ad esempio si vuole associare alla selezione 6 il prezzo numero 8 basta eseguire la procedura seguente:

- Modo programmazione, display visualizza..... Comando 0
- Digitare 05 e premere ENTER, il display visualizza Selez. numero 0
- Digitare 6 e premere ENTER, sul display compare valore attuale del parametro..... num. prezzo
- Digitare 8 e premere ENTER.

Comando 06 Impostazione codice prodotto:

Questo comando permette di associare ad ogni selezione un codice prodotto di 4 cifre. Tale codice verrà poi inviato sull'uscita RS232 assieme alle statistiche di vendita.

N.B.: con collegamento SPIRALI SLAVE abilitato (vedi comando 49), successivamente all'impostazione macchina MASTER, premendo il pulsante ESC, si accede all'impostazione dei medesimi parametri relativamente alla macchina SLAVE.

Comando 07 Visualizzazione vendite per selezione prezzo intero:

Con questo comando si accede al sottomenù visualizzazione numero vendite per selezione, sul display appare '**Selezione numero 0**'. Digitare il codice che identifica la selezione di cui si vogliono conoscere i dati di vendita.

Quindi premendo il tasto ENTER sul display compare il valore richiesto. Premendo il tasto ESC si ritorna al sottomenù da cui si può visualizzare il numero di vendite relativo ad un'altra selezione ripetendo la suddetta procedura oppure ritornare al menù principale premendo una seconda volta il tasto ESC.

N.B.: con collegamento SPIRALI SLAVE abilitato (vedi comando 49), successivamente alla visualizzazione macchina MASTER, premendo il pulsante ESC, si accede alla visualizzazione dei medesimi dati relativamente alla macchina SLAVE.

Comando 08 Visualizzazione vendite per selezione prezzo scontato:

Con questo comando si accede al sottomenù visualizzazione numero vendite per selezione a prezzo scontato, sul display appare '**Selezione numero 0**'. Digitare il codice che identifica la selezione di cui si vogliono conoscere i dati di vendita e premere il tasto ENTER, sul display compare il valore richiesto. Premendo il tasto ESC si ritorna al sottomenù da cui si può visualizzare il numero di vendite relativo ad un'altra selezione ripetendo la suddetta procedura oppure ritornare al menù principale premendo una seconda volta il tasto ESC.

N.B.: con collegamento SPIRALI SLAVE abilitato (vedi comando 49), successivamente alla visualizzazione macchina MASTER, premendo il pulsante ESC, si accede alla visualizzazione dei medesimi dati relativamente alla macchina SLAVE.

Comando 09 Visualizzazione totali non azzerabili:

Con questo comando si accede alla visualizzazione dei totali relativi alle transazioni effettuate dall'inizializzazione della macchina. I dati disponibili sono i seguenti:

Totale venduto, tot. in cassa, tot. nei tubi, tot. banconote, tot. reso, tot. erogato manualmente dai tubi, tot. sovrapprezzo incassato, tot. vendite scontate, tot. vendite con sistema cash less, tot. venduto in condizioni di importo esatto, tot. incassato senza vendite, numero totale vendite effettuate, valore complessivo delle free vend, numero totale delle free vend, vendite a contante, num.venduto a contante, contante introdotto, cash fill, num.card vend, load to card, test vend num., contenuto tubi.

Comando 10 Visualizzazione totali azzerabili:

Questo comando ha le stesse funzioni del comando 09, con la differenza che questo comando può essere azzerato con il comando 92.

Comando 11 Impostazione sequenze di selezione:

Questo comando ha la funzione di impostare le erogazioni dello stesso tipo in modo d'avere uno svuotamento uniforme e progressivo dal cassetto, indipendentemente dalla scelta effettuata dal cliente.

Il comando inizialmente chiede l'abilitazione (opzione 1) o meno (opzione 0) della funzione.

Se l'opzione è attiva (1) il sistema richiede l'introduzione della prima selezione che forma la sequenza, seguita dalla richiesta dell'assegnazione codice prodotto e dall'assegnazione del prezzo. Confermare di volta in volta con ENTER. Aggiungere quali altre selezioni fanno parte della stessa sequenza. Premere ESC per concludere e confermare la prima sequenza. A questo punto, si può inserire un'altra sequenza, oppure uscire dal comando premendo ancora ESC.

Comando 15 Menù concatenati**COSA SERVONO:**

i menu concatenati servono a vendere gruppi di prodotti (sino ad un max. di 3) digitando una unica selezione. Ci sono due modalità per programmare tali gruppi di prodotti. Queste modalità sono definite in:

1. menù precomposti
2. menù a composizione

Esempio di “menù precomposti”:

Passo 1: il sistema chiede l'abilitazione della funzionalità: 1 = abilitato; 0 = non abilitato.

Passo 2: se il sistema è abilitato, sul display compare la richiesta di nominare numericamente il nuovo menu. I numeri disponibili sono da 81 a 89. A questo punto, il sistema chiede l'inserimento del prezzo intero, ed a seguire il prezzo scontato.

Passo 3: il sistema chiede di selezionare il primo gruppo. Inserire il numero della selezione e confermare con il tasto “B” (enter), premere “A” (esc) ed il sistema chiederà l'inserimento per la selezione del secondo gruppo. Inserire il numero della selezione e confermare con il tasto “B” (enter), premere “A” (esc) ed il sistema chiederà l'inserimento per la selezione del terzo gruppo. Inserire il numero della selezione e confermare con il tasto “B” (enter). A questo punto, il sistema chiederà l'inserimento del secondo menù (ad

es. 82 visto che i numeri disponibili vanno dall'81 all'89).

Esempio di “menù a composizione”:

Passo 1: il sistema chiede l'abilitazione della funzionalità: 1 = abilitato; 0 = non abilitato.

Passo 2: se il sistema è abilitato, sul display compare la richiesta di nominare numericamente il nuovo menu. I numeri disponibili sono da 81 a 89. A questo punto, il sistema chiede l'inserimento del prezzo intero, ed a seguire il prezzo scontato.

Passo 3: a differenza del “menù precomposto”, sul menù a composizione si possono inserire più selezioni per ogni gruppo. È sempre possibile inserire sino a tre gruppi di selezioni. L'utente finale avrà così la scelta di poter disporre più prodotti per formare il proprio menù.

NOTE:

quando si abilitano le selezioni a menu, per le selezioni da 81 a 89, viene esclusa la funzionalità delle fotocelle.

Comando 25 Abilitazione motore rendiresto e micro introduzione monete:

Passo uno: il sistema chiede se si vuole abilitare il motore che agisce sul rendiresto. Valore 1 = abilitato; valore 0 = non abilitato. Valore di default = 0.

Passo due: il sistema chiede se si vuole abilitare la presenza del micro che agisce sull'introduzione monete. Valore 1 = abilitato; valore 0 = non abilitato. Valore di default = 0.

Passo tre: il sistema chiede se si vuole impostare ad intervalli di tempo espresso in minuti un ciclo al motore rendiresto durante il periodo di inattività del distributore. Il singolo ciclo è programmabile tra un tempo minimo di 2 min fino ad un massimo di 250 min. Valore di default = 0 = ciclo non abilitato.

Comando 26 Attivazione sistema antiminore:

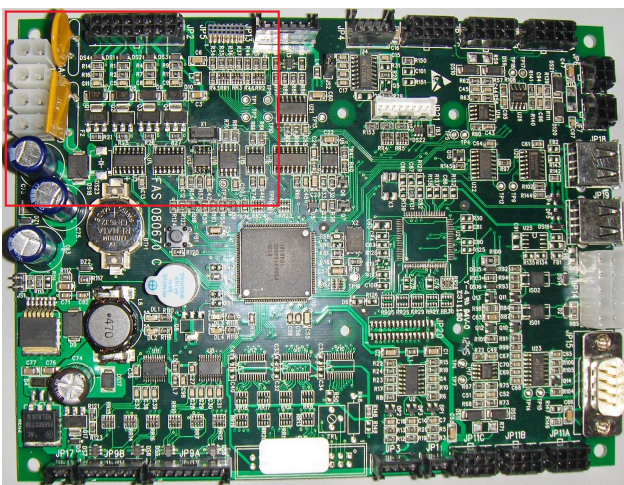
Con questo comando è possibile gestire, tramite un contatto elettrico, un dispositivo antiminore quando montato in macchina

Passo uno: viene chiesta l'abilitazione del controllo del dispositivo antiminore. Valore 1 = abilitato; valore 0 = non abilitato.

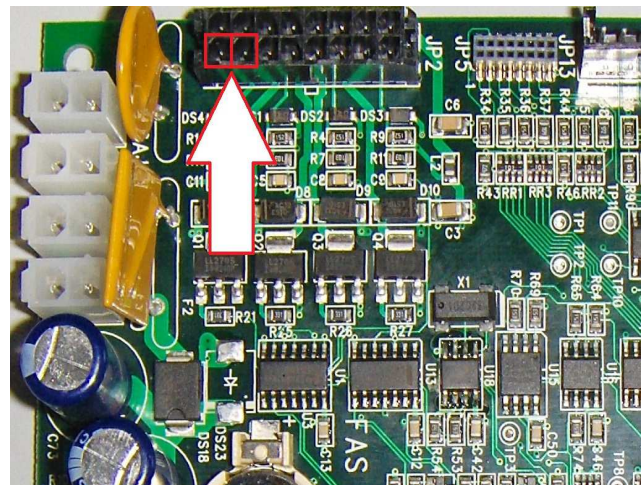
Passo due: il sistema chiede quali selezioni dovranno essere soggette a restrizioni di vendita.

COLLEGAMENTO ELETTRICO DEL DISPOSITIVO ANTIMINORE:

Il collegamento dovrà essere effettuato tra un contatto normalmente aperto del dispositivo antiminore e i 2 pin del connettore JP2 della mainboard mostrato in figura.



Mainboard



Dettaglio connettore JP2

Per la connessione utilizzare connettore tipo Molex micro-fit 3.0 part n° 43025-1600.

9.2.2 IMPOSTAZIONE PARAMETRI TEMPERATURA

Comando 40 Abilitazione vetrocamera riscaldata e scelta tipo gruppo refrigerante su SLAVE:

Questo comando permette di impostare il modello di gruppo refrigerante con o senza elettrovalvola di sbrinamento.

A seguire viene proposta l'opzione per abilitare (valore impostato a 1) il riscaldamento della vetrocamera se in presenza di vetro con resistenza incorporata o disabilitare tale dispositivo (valore impostato a 0). Se impostato il comando a 1 ci sarà la possibilità di gestire le fasce orarie di accensione e spegnimento giornaliero della resistenza antiappannamento).



L'impostazione del comando DEVE ESSERE coerente con il modello di macchina altrimenti la macchina stessa avrà un funzionamento anomalo.

Comando 41 Impostazione temperatura interna:

Questo comando imposta la temperatura interna della macchina cioè la temperatura al di sotto della quale avviene lo spegnimento del compressore. Il valore predefinito è di +3°C, e può variare tra +2 e +25°C.

A seguire il sistema chiede di abilitare (se presente) il kit denominato "sonda ambiente". Valore default 0 = funzione non abilitata. Valore 1 = funzione abilitata. Se valore 1 da tale comando si visualizza il valore riscontrato dalla sonda ambiente.

Per l'acquisto del kit, Vi preghiamo di contattare il responsabile vendite di area.

N.B.: con collegamento SPIRALI SLAVE abilitato (vedi comando 49), successivamente all'impostazione macchina MASTER, si accede all'impostazione dei medesimi parametri relativamente alla macchina SLAVE.

Comando 43 Impostazione temperatura fine sbrinamento:

Durante ogni sosta del compressore, la temperatura dell'evaporatore è controllata dalla sonda evaporatore. Con questo comando si imposta la temperatura dell'evaporatore oltre la quale, previo sgocciolamento, il compressore può riprendere il suo funzionamento; ciò per garantire il completo sbrinamento dell'evaporatore stesso. Il comando è preimpostato a 3°C e può variare tra 3°C a 12°C.

N.B.: con collegamento SPIRALI SLAVE abilitato (vedi comando 49), successivamente all'impostazione macchina MASTER, si accede all'impostazione dei medesimi parametri relativamente alla macchina SLAVE.

Comando 44 Impostazione intervallo sbrinamento:

Questo comando imposta l'intervallo di sbrinamento espresso in ore cioè il periodo di tempo tra uno sbrinamento e quello successivo. Il valore preimpostato è di 4h e può variare tra 1h e 8h.

N.B.: con collegamento SPIRALI SLAVE abilitato (vedi comando 49), successivamente all'impostazione macchina MASTER, si accede all'impostazione dei medesimi parametri relativamente alla macchina SLAVE.

Comando 45 Impostazione tempo esclusione sicurezza frigo:

Questo comando imposta il tempo di ritardo attivazione sicurezza frigo. Tale ritardo impedisce che il distributore vada in blocco in seguito ad un'operazione che comporta l'apertura porta con conseguente aumento della temperatura interna. Il ritardo di intervento della sicurezza consente alla macchina di portarsi alla temperatura di funzionamento. Il valore di questo comando è preimpostato a 60 min. e può essere variato da 30 a 360 min.

N.B.: con collegamento SPIRALI SLAVE abilitato (vedi comando 49), successivamente all'impostazione macchina MASTER, si accede all'impostazione dei medesimi parametri relativamente alla macchina SLAVE.

Comando 46 Impostazione temperatura sicurezza frigo:

Questo comando imposta la temperatura intervento sicurezza cioè la temperatura al di sopra della quale le selezioni dei prodotti vengono bloccate (vedi Comando 48). Il display visualizza un appropriato messaggio di avvertimento quando si cerca di effettuare una di queste selezioni. Tale controllo è inibito all'accensione e dopo la chiusura della porta per il tempo impostato al comando 45. Il valore preimpostato è di +7°C ma può variare da +7°C a +35°C. Quando interviene la sicurezza frigo, le selezioni interessate rimangono fuori servizio. Per ripristinare la sicurezza frigo: a porta aperta, il display del distributore master, visualizza l'intervento presente sulla master o eventualmente sulle slave ad essa collegate. Il ripristino avviene premendo il tasto ENTER della pulsantiera esterna. Premendo il tasto ESC o richiudendo la porta, rimane attivo l'intervento e viene registrato come ERRORE 93. Se alla richiusura della porta la sicurezza frigo è ancora attiva, automaticamente si avvierà un allarme acustico (serie di BEEP).



I prodotti devono essere introdotti già alla corretta temperatura prevista di conservazione previsti dalle norme vigenti. La non osservanza a questa regola potrebbe provocare interventi della "sicurezza frigo".

vedi paragrafo "AVVERTENZE CARICAMENTO PRODOTTI"

N.B.: con collegamento SPIRALI SLAVE abilitato (vedi comando 49), successivamente all'impostazione macchina MASTER, si accede all'impostazione dei medesimi parametri relativamente alla macchina SLAVE.

Comando 48 Impostazione cassette con sicurezza frigo:

Permette di selezionare quali cassette sono soggetti alla sicurezza frigo. Il comando chiede per ogni cassetto, l'abilitazione alla sicurezza = 1, oppure la disabilitazione = 0. Il cassetto 1 è riferito al primo in alto. Per default, tutti i cassette sono impostati a 1.



Per il corretto funzionamento della macchina i cassette da impostare con sicurezza frigo devono trovarsi all'interno dell'area a 3°C (vedi paragr. CARATTERISTICHE TECNICHE).

N.B.: con collegamento SPIRALI SLAVE abilitato (vedi comando 49), successivamente all'impostazione macchina MASTER, si accede all'impostazione dei medesimi parametri relativamente alla macchina SLAVE.

9.2.3 IMPOSTAZIONE PARAMETRI MACCHINA

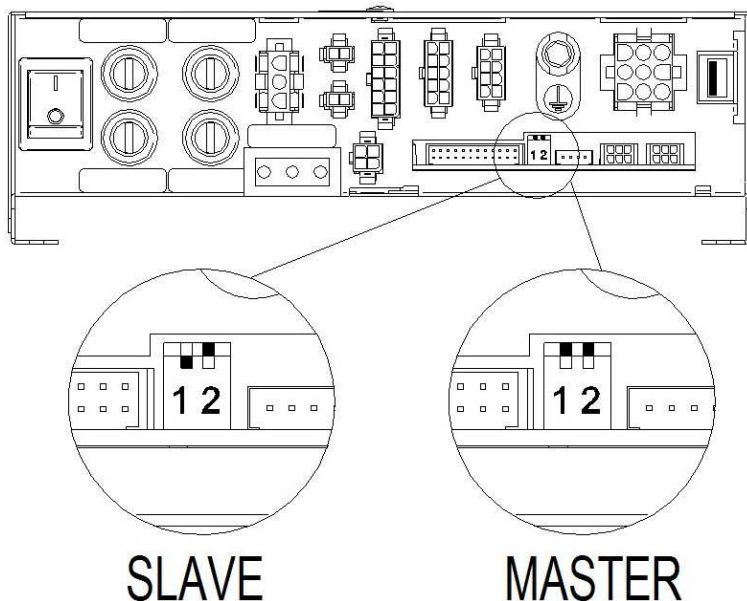
Comando 49 Abilitazione/Inibizione spirali slaves:

Questo comando abilita il collegamento master/slave. E' possibile collegare una macchina snack slave. Dopo aver abilitato lo slave si deve impostare il **Comando 40**.

Per far funzionare una Stand-Alone come Slave:

- spegnere la macchina agendo sull'interruttore generale e staccare la spina.
- Scollegare il connettore dalla presa JP11A della scheda principale

- Eseguire il collegamento Master/Slave con il cavo seriale, inserendo i connettori sulle prese poste sul retro.
- Battezzare la macchina agendo sul dip-switch presente sul pannello elettrico, posizionandone la tacca sulla rispettiva posizione, come da figura a lato. Per accedere al pannello elettrico vedi il paragrafo: ACCESSO AL PANNELLO ELETTRICO ED AL GRUPPO REFRIGERANTE.



Comando 50 Configurazione Macchina (numero selezioni/cassetti a spingitori/timeout azionamento)

Il comando permette di memorizzare il numero di selezioni (motoriduttori) presenti in macchina. Di conseguenza, ad ogni accensione, viene eseguito il confronto tra la configurazione memorizzata e la configurazione rilevata segnalando a display eventuali discrepanze. Il comando di configurazione deve essere eseguito ad ogni modifica della macchina che preveda l'aggiunta o l'eliminazione di motoriduttori.

Il passo successivo permette la configurazione dei cassette a spingitori. E' sufficiente digitare il numero del cassetto 1÷7 partendo dall'alto e impostare il parametro a 1. (ATTENZIONE: il parametro deve essere riportato a zero nel caso il cassetto a spingitori venga rimpiazzato con un cassetto a spirali).

Per i cassette a spingitori viene inoltre richiesto l'inserimento per ogni selezione dello spessore in millimetri del prodotto. Si tratta di una sicurezza nel caso di guasto delle fotocellule di caduta prodotto che si traduce in un timeout di azionamento del motoriduttore (la selezione 99 permette l'impostazione simultanea del timeout per tutte le selezioni).

Comando 55 Multifunzione di abilitazione display prezzi :

(se presente)

	Per impostare SOLO la seguente opzione, si deve premere il "Pulsante Programmazione" per due volte consecutive, scanditi dai suoni della cicalina, si accederà così al secondo livello di menù. Il display visualizza "Comando 00". Per abbandonare il modo programmazione premere il tasto "ESC".
--	---

NOTA BENE: nel caso che il **Comando 55** venga programmato al primo livello di menù, si avranno disponibili i passi "uno", "due" e "otto".

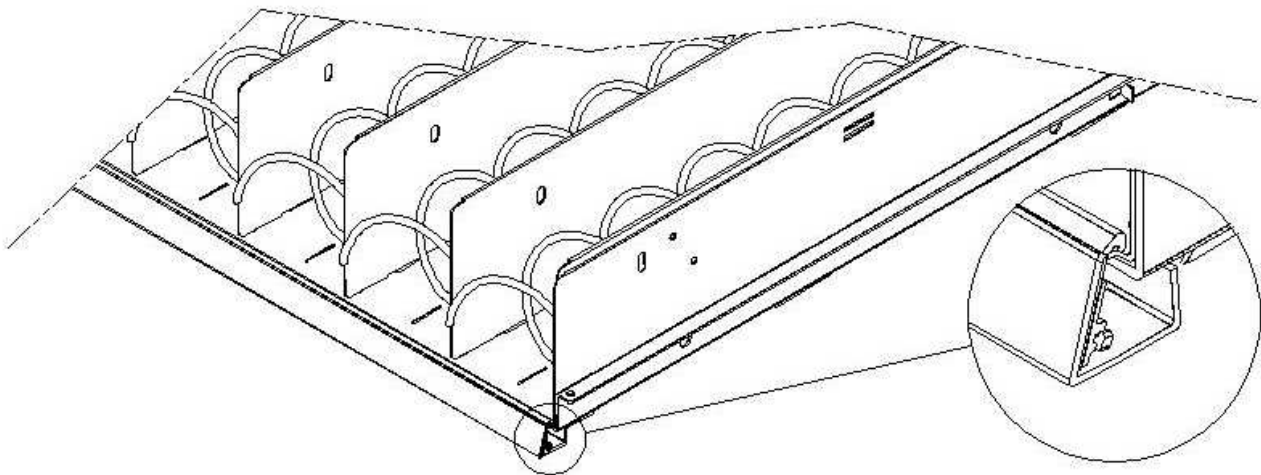
La programmazione al secondo livello viene normalmente effettuata all'installazione del kit, ogni qual volta viene sostituita una o più barre display prezzi, o nel caso in cui si modifichi la configurazione del cassetto.

Per modificare i prezzi, seguire le indicazioni riportate sul manuale d'uso e manutenzione. Ogni qual volta che si modificano i prezzi, questi, alla richiusura della porta, vengono automaticamente aggiornati nella visualizzazione sulla barra display.

Passo uno: il sistema chiede l'abilitazione della funzionalità: 1 = abilitato; 0 = non abilitato. Se il collegamento tra i display prezzi e la scheda controllo display non è interrotto, il display della porta visualizza il checksum e versione software della scheda; per continuare l'impostazione degli altri passi, premere il tasto "ENTER".

Passo due: il sistema chiede su quali cassettei è installata la barra display prezzi. Si dovrà confermare la presenza per ogni cassetto (1 = presente : 0 = non presente). Il cassetto 1 è riferito al primo in alto. La richiesta copre tutte le configurazioni sino ad un massimo di 7 cassettei.

Passo tre: sul display della porta viene visualizzata la richiesta, per ogni cassetto, per attribuire la corrispondente assegnazione dell'indirizzo ad ogni barra display prezzi.



Premere il pulsante presente sulla barra display prezzi posto sul fianco dx evidenziato nella figura. Ad ogni assegnazione si sentirà un suono della cicalina che corrisponde alla assegnazione avvenuta.

Passo quattro: il sistema chiede se si vuole modificare la configurazione del distributore (ad es. da singola spirale a doppia spirale). Premere "ESC" se si vuole lasciare invariata la configurazione, premere "ENTER" se la si vuole modificare.

Passo cinque: impostare il numero di selezioni presenti nel distributore (numero di motori).

Passo sei: il sistema visualizza sulle barre display la configurazione rilevata. Se tale configurazione è corretta premere "ESC", altrimenti premendo "ENTER", il sistema in tal caso permette la configurazione manuale di ciascun cassetto: si digita il numero di cassetto e si sceglie mediante il tasto 1 il tipo di cassetto ("standard", "sandwich", o "custom") a seconda della configurazione meccanica del cassetto stesso e si preme ENTER per memorizzare la scelta. Il risultato apparirà immediatamente sulla corrispondente barra display se la configurazione è corretta la scritta relativa a ciascuna selezione dovrà risultare centrata rispetto alle paratie che delimitano ciascuna selezione. Nel caso si scelga il cassetto "custom" dovrà essere inserito, per ciascuna selezione del cassetto, il numero di caratteri della barra display ad essa riservati (anche in questo caso il risultato viene man mano visualizzato sulla barra display). Alla fine della procedura di configurazione dei cassettei premere ESC per passare al passo successivo

Passo sette: il sistema chiede di visualizzare sulla barra display prezzi il prezzo inserito della selezione, premere ENTER per eseguire la funzione.

Comando 56 Impostazione parametro retro illuminazione:

Per ogni barra display prezzi si stabilisce il valore di retro illuminazione in stand-by mode: valore 3 luminosità massima; valore 2 luminosità 75%; valore 1 luminosità 50% e valore 0 luminosità 25%.

A seguire si imposta il contrasto delle barre display prezzi. Valore di default 9 e può andare da 1 a 16. Per aumentare il contrasto premere il pulsante 1, mentre per diminuire premere il pulsante 2 posti sulla pulsantiera.

Si imposta quindi l'opzione di visualizzazione della "descrizione prodotto" all'apertura porta sulle barre display; con il parametro a 1, quando viene aperta la porta principale, in corrispondenza di ciascuna selezione viene visualizzata la scritta descrittiva precedentemente programmata. (la programmazione si Effettua tramite il tool "VMC-configurator live").

Si imposta quindi l'opzione per la visualizzazione dei messaggi promozionali. Quest'ultimi sono delle stringhe di testo visualizzate sulla barra display in corrispondenza di ciascun prodotto in alternanza con il prezzo del prodotto stesso.

Per inserire le 20 stringhe di testo con i messaggi promozionali in macchina fare riferimento al comando 80 alla voce "Clonazione macchina" punti 3 e 4.

Se l'opzione messaggi promozionali è abilitata si accede alla funzione che permette di associare a ciascuna selezione uno dei 20 messaggi promozionali precedentemente memorizzati in macchina. (N.B. per cancellare un messaggio da una selezione basta associare alla selezione una stringa di spazi quindi è necessario che una delle 20 stringhe sia un testo di soli spazi).

Completata l'associazione dei testi alle selezioni è possibile impostare la modalità di visualizzazione dei messaggi promozionali ci sono 4 opzioni; ON MODE (sempre accesi) OFF MODE (sempre spenti) BACKLIGHT BLINKING MODE (retroilluminazione lampeggiante) TEXT BLINKING MODE (testo lampeggiante); scorrere le opzioni mediante un tasto numerico qualsiasi e confermare la scelta con tasto "B". Analogamente è possibile impostare la modalità di visualizzazione per i display che non contengono messaggi promozionali.

Il successivo parametro richiesto è il tempo in secondi, di visualizzazione dei messaggi promozionali.

L'ultimo parametro è il tempo di inibizione dei messaggi promozionali cioè il tempo di visualizzazione del prezzo del prodotto.

Comando 58 Abilitazione modalità conferma selezione o preselezione:

E' possibile abilitare la funzione "richiesta conferma selezione": in tal caso per ogni selezione effettuata si attende la conferma mediante il tasto "B" prima di effettuare la transazione e l'erogazione. Di seguito viene richiesto il tempo di attesa del pulsante conferma prima di annullare la selezione effettuata.

In alternativa alla funzione precedente è possibile abilitare la funzione "preselezione" e relativo tempo di attesa. In tal caso dopo aver effettuato la selezione la macchina attende il pagamento, per il timeout impostato, per effettuare la vendita.

Comando 59 Contatore battute:

Se il comando è impostato a 1, ad ogni apertura della porta, viene visualizzato il contatore battute.

Comando 60 Cancella memoria:

L'attivazione di questo comando fa sì che tutti i dati impostati dall'utilizzatore siano cancellati e che automaticamente si impostino i parametri di default stabiliti dal costruttore.

In risposta a questo comando il display visualizza **Code 0000**. Digitando il codice 6203 seguito dal tasto ENTER si cancellano tutti i dati presenti nella memoria del distributore. La procedura di cancellazione della memoria è la seguente:

- Modo programmazione, display visualizza Comando 0
- Digitare 60 e premere ENTER, display visualizza Code 0000
- Digitare 6203 e premere ENTER, il display visualizzamemory cleared

Nota: Per uscire dal comando si deve premere una sola volta il pulsante presente sulla scheda VMC.

N.B. Prima della cancellazione vengono "salvati" i contatori relativi ai flussi di cassa, e alle vendite per selezione che possono essere recuperati successivamente rientrando al comando 60 e digitando il codice 7531.

Comando 61 Azzeramento security/access code:

Permette di azzerare il codice d'accesso utilizzato nel protocollo EVA_DTS.

Comando 62 Abilitazione sconto:

Sono possibili i seguenti tipi di sconto a seconda del valore impostato in questo parametro:

0 = nessun tipo di sconto.

1 = sconto per fasce orarie.

2 = sconto per acquisti con chiave/carta di credito (possibile solo in modalità MDB).

3 = sconto per fasce orarie e per acquisti con chiave/carta di credito (solo in modalità MDB).

N.B. Perché lo sconto sia applicato devono essere impostati i valori delle fasce orarie desiderate nel timer giornaliero 2.

Se il sistema cashless, consente l'applicazione di differenti tabelle prezzi la selezione della tabella da applicare al momento della vendita avviene automaticamente attraverso il protocollo di comunicazione tra macchina e lettore (possibile soltanto per i sistemi cashless MDB che prevedono tale opzione).

Comando 63 Impostazione mono/multivendita:

Se il comando è 0, valore di default, il distributore opera in monovendita, e nel funzionamento a contante il credito eccedente al prezzo, viene restituito. Se questo non è possibile tale importo va ad incrementare il totale incassato in sovrapprezzo. Viceversa, se il comando è a 1 la macchina funziona in multivendita, l'importo eccedente al prezzo, dopo la vendita, viene rivisualizzato e può essere recuperato agendo sul pulsante di 'reso' o riutilizzato per una nuova selezione.

Di seguito viene richiesta l'opzione di mantenimento del credito in eccesso (overpay) per un tempo indefinito a disposizione dell'utente. 1= funzione abilitata, 0 = funzione disabilitata.

Comando 64 Impostazione lingua visualizzazione messaggi:

Con questo comando si modifica la lingua in cui vengono visualizzati i messaggi sul display. Il valore **0** corrisponde alla lingua italiana, **1** all'inglese, **2** al francese, **3** al tedesco, **4** all'olandese, **5** allo svedese, **6** al finlandese, **7** allo spagnolo, **8** al portoghese, **9** al danese, **10** al norvegese.

Di seguito viene proposta l'opzione per abilitare la visualizzazione della lista ingredienti prodotto, a 1 l'opzione è abilitata. Per utilizzare tale opzione procedere nel seguente modo:

- Associare a ciascun prodotto un codice di identificazione di 8 caratteri.
- Tale codice può essere programmato per ciascuna selezione vedi comando 6 (o mediante VMC-configurator)
- La lista ingredienti di un prodotto è contenuta in un file immagine memorizzata su una chiavetta USB inserita nell'apposito connettore della scheda VMC. Il nome del file immagine corrisponde al codice del prodotto con estensione .jpg. (Es. se ho identificato un prodotto con il codice 00881133 il corrispondente file immagine sarà 00881133.jpg).
- Digitando una selezione viene visualizzato il file immagine corrispondente al codice prodotto associato alla selezione.

N.B. L'immagine deve avere una dimensione di 480 x 272 pixel e deve essere in formato jpg (profondità di colore 24 bit). Può essere facilmente generata con Paint.

Nella chiavetta USB possono essere memorizzate le immagini di tutti i prodotti gestiti non solo quelli presenti in macchina e quindi quando si sostituisce un prodotto è sufficiente modificare il codice associato alla selezione al comando 6.

Comandi 66-67 Visualizzazione temperature interne e temperature evaporatore:

A seconda del valore impostato in questi comandi, si determinano le informazioni che vengono visualizzate in condizione di STAND-BY sulla seconda riga del display (vedi tabella). Per default viene visualizzato l'orologio.

Comando 66	Comando 67	Valore visualizzato
0	0	Visualizza l'orologio
1	0	Visualizza temperatura interna *
0	1	Visualizza temperatura interna + temperatura evaporatore
1	1	Visualizza temperatura interna + visualizza l'orologio

* Il comando 66 permette la visualizzazione della temperatura interna della macchina SLAVE eventualmente collegata. In tal caso la temperatura del master viene indicata con TM, quella dello slave con TA.

Inoltre, solo durante la fase di programmazione, il comando 67 permette la visualizzazione della temperatura interna e temperatura evaporatore della macchina SLAVE eventualmente collegata.

Comando 68 Impostazione descrizione valuta visualizzata:

Il comando permette l'inserimento della valuta desiderata. Sono disponibili 4 caratteri e l'inserimento avviene con le stesse modalità previste per il **Comando 95**.

Comando 69 Scelta modo funzionamento gettoniera:

Con questo comando si sceglie il tipo e la modalità di funzionamento della gettoniera. Il parametro può assumere i seguenti valori:

- EXECUTIVE con prezzi gestiti in macchina (vedi relativo paragrafo)
- EXECUTIVE PRICE HOLDING (cioè prezzi programmati in gettoniera), in questo caso i prezzi programmati al comando 03 devono essere uguali a quelli programmati in gettoniera (vedi relativo paragrafo). In alternativa si può impostare il parametro "Price-Display". Se abilitato, il distributore utilizzerà esclusivamente le informazioni sul valore dei prezzi provenienti dal sistema di pagamento, non sarà cioè necessario compilare le tabelle dei prezzi (Comandi 03 e 04), ma sarà sufficiente impostare solo il Comando 05 (vedi relativo paragrafo).
- BDV 001 (vedi paragrafo utilizzo gettoniera BDV)
- MDB (vedi paragrafo utilizzo sistema di pagamento MDB).

Comando 70 Opzione funzionamento segnalazione acustica:

Impostando tale comando a zero si esclude il funzionamento dell'avvisatore acustico durante il funzionamento della macchina.

Comando 73 Abilitazione fotocellule:

Tale comando va impostato ad 1 solo se installato il sistema a fotocellule. Esso ha la funzione di abilitare=1 o disabilitare=0 tale dispositivo. Nota: tale impostazione è valida per entrambe le macchine (MASTER e SLAVE).

Se il comando viene impostato a 1, (fotocellule abilitate), si entra automaticamente nel menù che permette la eventuale inibizione di tale funzione per le selezioni desiderate (erogazione senza controllo delle fotocellule). Per disabilitare l'opzione relativamente ad una o più selezioni, basta digitare il numero della selezione e quindi impostare il valore a zero.

N.B.: con collegamento SPIRALI SLAVE abilitato (vedi comando 49), successivamente all'impostazione macchina MASTER, si accede all'impostazione dei medesimi parametri relativamente alla macchina SLAVE.

Comando 74 Test fotocellule:

Questo comando serve per verificare il corretto funzionamento delle fotocellule. Scelto il tipo di test da effettuare automaticamente viene avviata una procedura di test, al termine della quale viene visualizzato l'esito a display. In caso di funzionamento anomalo, viene visualizzato sul display un valore riferito all'anomalia riscontrata. Per questo secondo valore fare riferimento alla tabella del Comando 99.

Comando 75 Impostazione parametri di funzionamento della barriera fotocellule:

Questo comando permette la visualizzazione e l'eventuale modifica del parametro di funzionamento della barriera fotocellule. Tale valore è univoco per la macchina MASTER e per le eventuali SLAVES collegate.

Messaggio	Valore di default	Significato
"Hyster.HL"	6	tale parametro agisce sulla sensibilità di lettura del sistema. Più basso è il valore impostato, più alta è la sensibilità del sistema. Il valore può variare da un minimo di 5 ad un max di 30.

Comando 76 Opzioni di funzionamento del sistema ("opzioni FTC"):

L'impostazione di questo comando determina il comportamento della macchina nel caso il prodotto non venga erogato. Il valore è impostabile da 0 a 3. Default = 0.

Il significato di tale impostazione è il seguente:

0 = Possibilità di effettuare un'ulteriore selezione, in tal caso il comando 63 (mono-multivendita) deve essere impostato ad 1 (se il sistema di pagamento è executive il modo multivendita deve essere impostato anche nel sistema di pagamento).

1 = Erogazione automatica del credito, in questo caso il comando 63 deve essere impostato a 0 (se il sistema di pagamento è executive il modo monovendita deve essere impostato anche nel sistema di pagamento).

2 = Ulteriore quarto di giro: nel caso non avvenga l'erogazione del prodotto la spirale eseguirà un ulteriore 1/4 di giro e se ancora il prodotto non viene erogato si ritorna ad una delle due precedenti opzioni a seconda dell'impostazione del parametro mono o multivendita.

- *A tale scopo una volta impostato il valore 2 al comando 76, per default l'opzione è disabilitata per tutte le selezioni. Si entra automaticamente nel menù che permette l'abilitazione dell'opzione per le singole spirali. Per abilitare l'opzione relativamente ad una spirale basta digitare il numero di selezione ed impostare il valore a 1. Viceversa impostando a 0 tale valore l'opzione risulta disabilitata. L'opzione non è applicabile alle spirali a ½ giro. Se il sistema di pagamento è con protocollo Executive, la mono-multivendita deve essere impostata anche sul sistema di pagamento.*
- *In alternativa, si può abilitare / disabilitare la funzione per cassetto: la selezione 91 implica che tutte le selezioni del primo cassetto in alto, siano ad es. abilitate alla funzione del quarto di giro. Selezione 92 = 2° cassetto; 93 = 3° cassetto; 94 = 4° cassetto; 95 = 5° cassetto; 96 = 6° cassetto; 97 = 7° cassetto; programmando la funzione alla selezione 99, tutte le selezioni del distributore verranno abilitate o disabilitate.*

3 = Multistep (rotazioni parziali multiple): nel caso non avvenga l'erogazione del prodotto la spirale eseguirà un ulteriore 1/8 di giro che ripeterà per 4 volte se il prodotto non viene erogato; al quinto tentativo la spirale completerà il giro e verrà verificata l'eventuale erogazione o meno del prodotto rientrando eventualmente in una delle opzioni 1 o 2 a seconda dell'impostazione del parametro mono o multivendita.

Anche in questo caso la funzione deve essere abilitata per ciascuna selezione o per cassetto o totale (vedi punto 2).

A seguire il sistema permette di impostare l'opzione "vuoto" che se abilitata (valore impostato a 1) esclude la selezione nel caso di mancata erogazione del prodotto fino alla successiva apertura della porta principale.

A seguire il sistema chiede di inserire le opzioni relative alla SICUREZZA FOTOCELLULE:

l'abilitazione di questa funzione (impostazione parametro = 1) prevede l'inserimento di un numero di prodotti entro una finestra temporale (in minuti). Se entro l'intervallo di tempo programmato si verifica un numero di non letture pari al numero di prodotti programmati, le fotocellule vengono disabilitate. L'evento attivo è segnalato sul display all'apertura della porta ed è inoltre registrato al Comando 99 con il codice d'Errore 39. Il ripristino delle fotocellule può essere programmato in modo manuale, oppure automaticamente. Se manuale, impostazione parametro = 0, si deve entrare nella funzione TEST VEND per riabilitare la funzionalità delle fotocellule; se automatico, impostazione parametro = 1, il sistema dopo 15 minuti esegue un tentativo di ripristino della funzione.

N.B.: con collegamento SPIRALI SLAVE abilitato (vedi comando 49), successivamente all'impostazione macchina MASTER, si accede all'impostazione dei medesimi parametri relativamente alla macchina SLAVE.

Comando 80 Menù gestione USB:

Accedendo al comando 80 viene proposto un menu a scelta multipla con le seguenti voci:

1. **Clonazione macchina**
2. **Audit su chiave**
3. **Aggiornamento software**

Per accedere alla funzione desiderata basta digitare il numero corrispondente sulla tastiera di selezione dopo aver inserito la chiave USB nel connettore apposito presente sulla scheda main.

Clonazione macchina

Di seguito sono possibili quattro opzioni

1. - Scrittura dati di configurazione su chiave USB

Questa funzione permette di trasferire tutti i parametri di programmazione su una "chiave USB. Se non già programmato viene richiesto il "codice di configurazione" (vedi nota) una volta inserito e confermato il codice vengono proposte due opzioni:

B. Iniziare a scrivere il file di clonazione su chiave USB (il cui nome è visualizzato sul display).

1. Modificare il codice di configurazione.

Premendo B inizierà la scrittura del file nella chiave con relativa barra di avanzamento della procedura. Attendere la comparsa del messaggio "fine scrittura" prima di rimuovere la chiave.

Se ad esempio viene programmato il codice di configurazione 00000123 il file generato nella chiave USB ha come nome: "YOUNG_00000123.DAT". Se dovesse esistere nella chiave USB un file con lo stesso nome prima della scrittura del nuovo file esso verrebbe rinominato aggiungendo un numero progressivo al nome.

N.B. Se si vogliono esportare i dati di configurazione completi nella chiave bisogna eseguire la clonazione dopo essere entrati al secondo livello di programmazione (clonazione estesa).

2.Lettura dati da chiave - Lettura dati di configurazione da chiave USB:

Questa funzione permette di leggere i dati di configurazione presenti su una chiave USB. Se non già programmato viene richiesto il “codice di configurazione” (vedi nota) una volta inserito e confermato il codice vengono proposte due opzioni:

B. Lettura file da chiave USB (il cui nome è visualizzato sul display).

1. Modificare il codice di configurazione.

Premendo B inizierà la lettura del file dalla chiave con relativa barra di avanzamento della procedura. Attendere la comparsa del messaggio “fine lettura” prima di rimuovere la chiave.

Se ad esempio viene programmato il codice di configurazione 00000123 il file cercato e letto dalla chiave USB ha come nome: “YOUNG_00000123.DAT”. Pertanto sulla stessa chiave USB possono essere memorizzati più file di programmazione per macchine dello stesso modello ma configurate in modo diverso contraddistinto dal proprio “codice di configurazione”.

3.Copia stringhe messaggi promozionali su chiave USB:

Questa funzione copia su chiave USB i 20 messaggi promozionali attualmente programmati in macchina il file che si ottiene è nominato come “PromoMessages.txt”. Mediante un editor di testo (es. notepad) è possibile via computer modificare i testi e quindi re-inserirli in macchina mediante l’opzione successiva.

4.Lettura stringhe messaggi promozionali da chiave USB:

Questa funzione esegue l’operazione inversa a quella del punto precedente copiando il contenuto (le stringhe di testo modificate) del file “PromoMessages.txt” contenuto nella chiave USB alla macchina.

Nota: L’impostazione della maggior parte dei parametri macchina (quelli relativi a ciascuna selezione prezzi, linee prezzo, codici prodotto) dipende dalla configurazione meccanica (layout) della macchina. A questo proposito è stato introdotto il “codice di configurazione” che è un codice di 8 caratteri che identifica univocamente ciascuna macchina o gruppo di macchine con la stessa configurazione. Il codice di configurazione unito al nome del modello macchina andrà a formare il nome del file in cui verranno memorizzati i parametri di programmazione della macchina sia in uscita (clonazione) che in ingresso (Lettura dati da chiave). Il “codice di configurazione” viene richiesto la prima volta che si esegue un’operazione di clonazione o lettura dati da chiave e rimane invariato finché non viene espressamente modificato dall’operatore.

Sarebbe opportuno per ogni nuova macchina (o nuova configurazione) procedere nel modo seguente:

1. modificare la configurazione meccanica secondo necessità
2. eseguire il comando 50 per memorizzare la configurazione delle selezioni
3. eseguire una clonazione estesa (secondo livello di programmazione) programmando nel contempo il “codice di configurazione”.
4. importare il file così ottenuto nel VMC Configurator live.
5. eseguire tutte le modifiche/impostazioni ai parametri macchina desiderate e salvare il file.
6. Esportare il file nella chiave
7. Riprogrammare la macchina mediante la chiave.
8. Tutte le successive modifiche ai parametri macchina dovrebbero partire dal configuratore o se eseguite in campo dovrebbero essere riportate sul configuratore.

Se le macchine vengono gestite per gruppi con la stessa configurazione allora per ogni nuova macchina appartenente ad un gruppo di cui è già stata memorizzata la programmazione è sufficiente eseguire il punto 7.

Audit su chiave - Prelievo dati di vendita:

Questa funzione permette di trasferire il file dati EVA-DTS su una “chiave USB”. Premendo B inizierà la scrittura del file nella chiave con relativa barra di avanzamento della procedura. Attendere la comparsa del messaggio “fine scrittura” prima di rimuovere la chiave.

Il file generato nella chiave USB ha come nome: “AUDIT_YOUNG_140919153228.DAT” (i numeri sono nell’ordine anno/mese/giorno/ora/minuti/secondi corrispondenti all’orologio della macchina).

Aggiornamento software – Aggiornamento firmware schede

Selezionando la voce aggiornamento software si accede al relativo sottomenù a scelta multipla:

1. **Aggiorna VMC attuale**
2. **Carica nuovo modello VMC**

3. Aggiorna Scheda Power (valido anche per lo slave)**4. Aggiorna display**

Prima di accedere al comando inserire la chiave nella presa USB della scheda da aggiornare.

1. Esegue il caricamento del software aggiornato relativo alla stesso modello macchina (es. YOUNG con YOUNG, Winning con Winning) . Terminata l'operazione ci sarà un riavvio della macchina. **ATTENZIONE** nella chiave possono essere presenti più file di programmazione ma relativi a modelli macchina diversi. Non può esserci più di un file relativo allo stesso modello macchina.
2. Esegue il caricamento del software relativo ad un modello macchina differente (es. YOUNG su Winning o viceversa). **ATTENZIONE** nella chiave USB deve essere presente soltanto il file da caricare.
3. Prima di digitare 3 rimuovere la tasca di prelievo, inserire la chiave USB nell'apposito connettore sul frontale del pannello elettrico. Al termina dell'operazione ci sarà un riavvio della macchina.
4. In tal caso la chiave deve essere inserita nell'apposito connettore sulla scheda Main.

Comando 85 Visualizzazione checksum e versione software della scheda main e power.**Comando 88 Abilitazione riscaldamento prodotti su MODULO WAVE (se presente):**

Questo comando abilita la funzionalità della colonna forni a microonde. Valore 1 = abilitato; 0 = non abilitato. Se la funzione è abilitata, il sistema chiede di programmare il tempo di riscaldamento, in secondi, per i prodotti presenti su ogni selezione della macchina master (YOUNG), valori impostabili da 0 a 180 sec.

I tempi di riscaldamento sono tarati per un uso alla massima emissione della potenza

Comando 90 Selezione protocollo di AUDIT / abilitazione telemetria:

La scheda di controllo è dotata di una presa RS232. Il connettore di I/O è un 9 poli a vaschetta maschio in cui sono utilizzati i seguenti pin:

- Pin 2 VMC Tx - Pin 3 VMC Rx - Pin 5 Ground -Pin 7 CTS

Scorrendo il menu utilizzando qualsiasi tasto ad esclusione di A e B è possibile selezionare PRINTER : la macchina gestisce una generica stampante di scontrini seriale connessa alla presa RS232. La trasmissione in tal caso è effettuata a 9600 baud 8 bit di dati senza parità e con 1 bit di stop. Il cavo di connessione utilizza i pin 2, 5 e 7.

Se la stampante è in linea, premendo il tasto per l'accesso alla programmazione esterno al box gettoniera, si ottiene la stampa dei dati di vendita.

Selezionando dal menu EVA-DTS DDCMP la macchina dialoga con il mondo esterno attraverso l'interfaccia a infrarossi 082925 (interfaccia IRDA) oppure tramite connessione fisica sul connettore 9 poli a vaschetta, secondo le specifiche del protocollo EVA-DTS vers.6.0.

La macchina propone la scelta del tipo di connessione: interfaccia ad infrarossi (OUTPUT OPTICAL LINK) oppure a cavo sul connettore 9 poli a vaschetta situato sulla scheda (OUTPUT RS232) in quest'ultimo caso i pins del connettore utilizzati sono 2= VMC Tx, 3=VMC Rx, 5= GROUND

La macchina richiede l'inserimento dell'indirizzo di periferica: digitare il valore desiderato (1 per connessione punto-punto) e premere "ENTER".

Viene quindi proposta la scelta della velocità di trasmissione che deve essere coerente con l'impostazione della scheda 082925 nel caso di collegamento a infrarossi (vedi istruzioni relative). Il range impostabile è 2400÷115200 baud, oppure negoziabile tra macchina e terminale (opzione valida solo per collegamento via cavo). La scelta viene fatta scorrendo le varie opzioni di velocità con qualsiasi tasto della pulsantiera e confermando con il tasto "ENTER" il valore desiderato.

A seguire si imposta l'opzione "abilitazione telemetria". Valore 1 = funzione abilitata; valore 0 = funzione non abilitata. Valore di default = 0. **ATTENZIONE** l'opzione può essere abilitata solo se l'apparato di telemetria supporta l'invio di eventi da parte della macchina (in tal caso la macchina agisce come master e inizia la sessione DDCMP)

E' possibile quindi abilitare (valore impostato a 1) l' "erase interim data", ovvero la cancellazione dei contatori azzerabili dopo la loro lettura e successivamente è possibile abilitare la cancellazione immediata degli interim data oppure lasciare che vengano azzerati dopo la prima operazione di acquisto effettuata sulla macchina.

Se il comando è impostato DEX UCS la macchina dialoga con il mondo esterno con il protocollo DEX-UCS.

Comando 91 Inserimento dati identificazione macchina:

Il primo dato da introdurre è la matricola macchina (solo la parte numerica) codice di 8 cifre.

Il secondo dato richiesto in formato alfa numerico max 30 caratteri, si riferisce alla locazione macchina, per la modalità di inserimento della descrizione fare riferimento alla tabella del comando 95. Il terzo dato richiesto è il codice numerico di identificazione macchina (asset number).

Tutti questi dati vengono poi riportati nei file di Audit per l'identificazione macchina.

Comando 92 Azzeramento dati di vendita:

Il comando permette di azzerare i dati di vendita della macchina, (vedi comando 10). L'operazione è subordinata all'inserimento di un particolare codice d'accesso. La procedura è la seguente:

- Modo programmazione, display visualizza..... Comando 0
- Digitare 92 e premere ENTER, display visualizza..... Code 0000
- Digitare 1221 e premere ENTER, il display visualizza 'AZZERO DATI ?'

Premendo il tasto ENTER tutti i dati di vendita verranno azzerati mentre premendo ESC si tornerà al menu principale lasciando i dati inalterati.

Comando 95 Impostazione funzioni di visualizzazione del display (message Box Utente/slide show interno/slide show USB):

Non possono essere attivate in contemporanea più funzioni.

1. Il message box che si alterna alle normali scritte del display ogni 8 secondi . E' composto da un titolo (max 28 caratteri) e da un corpo del testo (max 80 caratteri). L'inserimento dei testi si effettua digitando il corrispondente codice carattere (vedi tabella) o tramite il configuratore.
2. Lo slide show interno consiste in una serie di immagini predefinite visualizzate mentre la macchina è in stand-by.
3. Lo slide show USB consiste nella visualizzazione, quando la macchina è in stand-by, delle immagini memorizzate dall'utente in una pen-drive USB . Le immagini devono essere in formato jpg con una risoluzione massima di 480 x 272 punti e profondità di colore di 24 bit.

Se abilitato, il message box vengono nell'ordine programmati il titolo e il corpo del messaggio. Sulla seconda riga del display compare la scritta "**Carattere 00**" mentre sulla terza riga del display appare il testo attualmente disponibile. Digitando i codici dei caratteri che si vogliono inserire (vedi tabella seguente) e confermando di volta in volta con il tasto ENTER si compone il messaggio desiderato. Alla fine con il tasto ESC si ritorna al menu principale.

CODICE	CARATTERE	CODICE	CARATTERE	CODICE	CARATTERE
00	avanza curs.	28	E	56	g
01	indietro cursore	29	F	57	h
02	spazio	30	G	58	i
03	!	31	H	59	j
04	"	32	I	60	k
05	#	33	J	61	l
06	\$	34	K	62	m
07	'	35	L	63	n
08	,	36	M	64	o
09	-	37	N	65	p
10	.	38	O	66	q
11	/	39	P	67	r

12	0	40	Q	68	s
13	1	41	R	69	t
14	2	42	S	70	u
15	3	43	T	71	v
16	4	44	U	72	w
17	5	45	V	73	x
18	6	46	W	74	y
19	7	47	X	75	z
20	8	48	Y	76	à
21	9	49	Z	77	ø
22	:	50	a	78	æ
23	;	51	b	79	ä
24	A	52	c	80	ö
25	B	53	d	81	ü
26	C	54	e	82	°
27	D	55	f		

Il carattere con codice 00 fa avanzare di una posizione il cursore.

ATTENZIONE! : Se il cursore si trova oltre il primo carattere del messaggio e si preme il tasto ESC per tornare al menu principale, il messaggio viene troncato nella posizione corrispondente al cursore; quindi prima di uscire, portare il cursore alla fine del messaggio.

E' consigliabile comporre il messaggio su un pezzo di carta usando i codici della tabella (spazi compresi) e quindi programmarlo nella macchina.

Comando 99 Menu visualizzazione eventi:

sono disponibili le seguenti opzioni:

1. **Eventi d'errore**
2. **Spegnimenti/accensioni**
3. **Registrazione temperature**
4. **Recupero del file di Log.**

1.Eventi d'errore

Permette la visualizzazione degli ultimi 20 eventi d'errore verificatesi; per passare da una visualizzazione all'altra premere il tasto ENTER. Alla fine della visualizzazione, il sistema chiede la conferma dell'azzeramento di tutti i dati. Premere ENTER per confermare o ESC per lasciare inalterate le registrazioni.

CODICE ERRORE	SUBCODICE	CAUSA ALLARME
01	N. codice selezione	Motore bloccato (la spirale non gira)
02	N. codice selezione	La spirale non completa il giro
05	N. codice selezione	Motore scollegato
09	N. codice selezione	Probabile difetto del micro o del cablaggio motore spirale
10	(*) 38 - 39	Sonda temperatura interna guasta
11	(*) 38 - 39	Sonda evaporatore guasta
16	(*) 33 - 38 - 39	Errore comunicazione con periferica (scheda pannello elettrico)
17	(*) 38 - 39	Break comunicazioni durante ciclo di vendita senza incasso credito
18	(*) 38 - 39	Break comunicazioni durante ciclo di vendita con incasso credito
30	(*) 38 - 39	Intervento sicurezza frigo
31	(*) 38 - 39	Errore Test fotocellule.
32÷38	(*) 38 - 39	Errore Taratura fotocellule
39	(*) 38 - 39	Sicurezza fotocellule
51	(*) 38 - 39	Interruzione collegamento periferica all'inizio del ciclo di vendita.
55	/	Sistema di pagamento fuori servizio.
61	N. codice selezione	Motore bloccato (la spirale non gira) SLAVE A

62	N. codice selezione	La spirale non completa il giro SLAVE A
65	N. codice selezione	Motore scollegato SLAVE A
69	N. codice selezione	Probabile difetto del micro o del cablaggio motore spirale SLAVE A
91	N. codice selezione	Mancato ripristino selezioni.
93	/	Intervento sicurezza frigo

(*) Legenda:

33 = Fotocellule
38 = Spirali Master
39 = Spirali Slave

2. Spegnimenti/accensioni:

vengono visualizzati gli ultimi 10 periodi in cui la macchina è rimasta spenta. Sul display vengono visualizzati i seguenti valori:

POWER OFF	DATA	ORA
POWER ON	DATA	ORA

Per passare da una visualizzazione all'altra premere il tasto ENTER.

N.B.: Per avere valori attendibili l'orologio deve essere programmato.

3. Registrazione temperature:

viene visualizzato l'andamento della temperatura interna durante le ultime 24 ore. I valori vengono registrati con cadenza di 15 minuti. Per visualizzare tutti i valori basta premere il tasto 'B'.

Per effettuare la registrazione è necessario programmare l'orologio (vedi Comando 02). Dopo aver programmato l'orologio, tutti i dati vengono automaticamente azzerati.

4. Recupero del file di Log.

Permette di salvare su chiave USB un file di testo che contiene tutte le registrazioni effettuate dalla macchina: set-up parametri gruppo frigo, temperature, cicli di sbrinamento, spegnimenti/accensioni; eventi d'errore. Il file memorizzato su chiave "PrintYOUNG_codice_configurazione_dataora".

9.3 UTILIZZAZIONE GETTONIERA BDV



La connessione e la disconnessione della gettoniera devono essere eseguiti a macchina spenta.

Eseguito il collegamento, accendere la macchina, entrare in programmazione e impostare **il comando 69 a 4** quindi spegnere la macchina per alcuni secondi. Alla riaccensione la macchina e la gettoniera comunicheranno in modo corretto.

Comando 30	Obbligo acquisto prima del reso	(def. 0)
Comando 31	Credito massimo	(def. 0)
Comando 32	Valore massimo monete rese	(def. 0)
Comando 33	Inibizione singole monete	(tutte abil.)
Comando 34	Inibizione monete in condizioni di importo esatto	(tutte abil.)
Comando 35	Liv. monete messag. Importo esatto	(def. 0)
Comando 36	Equazione importo esatto	(def. 0)
Comando 37	Abilitazione lettore di carta di credito	(def. 0)
Comando 38	Svuotamento tubi rendiresto	
Comando 39	Riempimento tubi rendiresto	

Comando 30 Obbligo acquisto prima del reso:

Impostando a 1 questo comando il cliente è obbligato all'acquisto prima di poter ottenere il resto, questo per evitare di utilizzare la gettoniera come cambiamonete. Se la vendita dovesse fallire allora il reso viene erogato.

Comando 31 Credito massimo:

Si imposta il credito massimo accettato dalla gettoniera, al superamento di questo valore viene bloccata l'accettazione di ulteriori monete.

Comando 32 Valore massimo monete rese:

Questa funzione è attiva solamente in multivendita. Se il valore del credito rimanente dopo una vendita è superiore al valore impostato col comando, l'erogazione del resto viene bloccata. Si dovranno quindi effettuare ulteriori acquisti finché il credito rimanente risulterà inferiore al valore programmato quindi azionando la leva di rimborso si potrà ottenere il resto.

Comando 33 Inibizione singole monete:

Mediante questo comando si blocca l'accettazione di particolari monete da parte della gettoniera. Se ad esempio si volesse bloccare l'accettazione della moneta 5 si procede nel modo seguente:

1. Modo programmazione, display visualizza..... Comando 00
2. Digitare 33 e premere ENTER, display visualizza..... Coin num. 00
3. Digitare 5 e premere ENTER, il display visualizza0
4. Digitare 1 e premere ENTER.

Comando 34 Inibizione monete in condizioni di importo esatto:

Questo comando serve a bloccare l'accettazione di particolari monete in condizioni di resto piccolo cioè quando il display visualizza il messaggio "Inserire solo importo esatto".

Comando 35 Livello monete per messaggio importo esatto:

Può essere programmato un valore da 0 a 15 che rappresenta il numero di monete da aggiungere al livello minimo predefinito del contenuto tubi, affinché venga abbandonata la condizione di "importo esatto".

Comando 36 Equazione importo esatto:

Rappresenta la combinazione degli stati vuoti nei tubi perchè venga attivato il messaggio importo esatto. Viene riportata una lista delle possibili combinazioni:

0 = A o (B e C)	1 = A e B e C	2 = solo A e B
3 = A e (B o C)	4 = solo A	5 = solo A o B
6 = A o B o C	7 = solo A e C	8 = solo A o C
9 = solo B e C	10 = solo B	11 = solo B o C
12 = solo C		

Comando 37 Abilitazione lettore di carta di credito:

Impostando a 1 questo comando si abilita il funzionamento del lettore di carta di credito.

Comando 38 Svuotamento tubi rendiresto:

Questo comando è utilizzato per fare l'inventario delle monete presenti nei tubi della gettoniera. Per ottenere l'erogazione dal tubo 1 (monete di valore più piccolo) si procede nel modo seguente:

1. Modo programmazione, display visualizza..... Comando 00
2. Digitare 38 e premere ENTER, display visualizza..... Tube num. 00
3. Digitare 1 e premere ENTER,

La gettoniera inizia ad erogare monete dal tubo prescelto fino al rilascio del pulsante ENTER.

Comando 39 Riempimento tubi rendiresto:

Si procede nel modo seguente:

1. Modo programmazione, display visualizza..... Comando 00
2. Digitare 39 e premere ENTER
3. Inserire le monete nella gettoniera
4. Premere nuovamente il pulsante ENTER

N.B. Se la procedura non viene eseguita correttamente si possono trovare dei valori errati ai comandi 09 e 10.

9.4 UTILIZZAZIONE SISTEMI DI PAGAMENTO MDB



La connessione e la disconnessione della gettoniera devono essere eseguiti a macchina spenta.

Il comando **69 va programmato al valore 5**, dopodichè si dovrà spegnere la macchina per alcuni secondi. Alla riaccensione, la macchina e la gettoniera comunicheranno correttamente.

Si hanno i seguenti comandi aggiuntivi per l'utilizzazione di questi sistemi di pagamento:

Comando 27	Impostazione segnalazione sistema di pagamento fuori servizio.
Comando 28	Selezione contatori contenuto tubi rendiresto.
Comando 29	Inibizione visualizzazione credito cashless.
Comando 30	Obbligo acquisto prima del reso.
Comando 31	Impostazione credito max accettato a chiave e a contanti.
Comando 32	Livello minimo monete nei tubi.
Comando 33	Inibizione singole monete/banconote.
Comando 34	Inibizione monete in condizione di importo esatto/ abilita escrow banconote
Comando 35	Azzeramento contatori monete nei tubi rendiresto
Comando 36	Condizione di importo esatto (mancanza resto)
Comando 37	Inibizione lettore di banconote in condizione di importo esatto
Comando 38	Svuotamento tubi rendiresto
Comando 39	Riempimento tubi rendiresto

Comando 27 Impostazione segnalazione sistema di pagamento fuori servizio:

Se il comando è impostato a 1, quando si interrompe il collegamento con il sistema di pagamento MDB, il distributore andrà fuori servizio, ed il display ne visualizzerà il messaggio; se il comando è impostato a 0 (zero), l'opzione è disabilitata. L'impostazione per default è 0.

Comando 28 Selezione contatori contenuto tubi rendiresto:

Il comando permette di scegliere se utilizzare i contatori relativi al contenuto tubi rendiresto della gettoniera oppure utilizzare esclusivamente i contatori interni alla macchina. Se il comando è impostato a 1 ad ogni power-up i contatori relativi al contenuto tubi rendiresto interni alla macchina vengono aggiornati con i valori inviati dalla gettoniera. Se invece il comando è impostato a 0 i valori inviati dalla gettoniera vengono ignorati.

Comando 29 Inibizione visualizzazione credito cashless:

Il comando permette di inibire o abilitare la visualizzazione del credito proveniente dal dispositivo cashless MDB (lettore di chiave o carta). Se il comando è impostato a 1 il credito relativo al dispositivo cashless non viene visualizzato se invece il comando è impostato a 0 la macchina visualizza anche il credito relativo al dispositivo cashless.

Comando 30 Obbligo acquisto prima del reso:

Impostando a 1 questo comando il cliente è obbligato all'acquisto prima di poter ottenere il resto, questo per evitare di utilizzare la gettoniera come cambiamonete. Se la vendita dovesse fallire allora il reso viene erogato.

Comando 31 Impostazione credito max accettato a chiave e a contanti:

Si imposta il credito massimo accettato dalla gettoniera nel caso di acquisto con chiave/carta oppure in contanti, al superamento di questo valore viene bloccata l'accettazione di ulteriori monete/banconote. A seguire viene richiesta l'opzione di massimo reso, che è la massima quantità di moneta restituibile; valore di default 1000, valore max 9000.

Comando 32 Livello minimo monete nei tubi:

E' il numero di monete, proprio di ogni gettoniera, che deve rimanere in ciascun tubo per garantire il corretto funzionamento del sistema di erogazione (Consultare il manuale della gettoniera per impostare il valore corretto di questo parametro). Se a ciascun tubo è associato un valore differente deve essere impostato il valore massimo tra quelli dichiarati. L'impostazione di questo parametro è fondamentale per una corretta gestione contabile da parte del distributore.

N.B. L'inventario tubi, comando 38, si fermerà quando il contenuto di ciascun tubo raggiungerà il valore impostato al comando 32. Per svuotare completamente i tubi utilizzare i pulsanti di erogazione della gettoniera.

Comando 33 Inibizione singole monete/banconote:

Questo comando permette due regolazioni così come descritto di seguito:

1. Blocco accettazione di particolari monete da parte della gettoniera.
2. Blocco accettazione di particolari banconote da parte del lettore.

Per passare dal punto 1 al punto 2, premere il tasto ESC.

N.B.: Le monete sono in ordine di valore crescente.

Comando 34 Inibizione monete in condizioni di importo esatto/abilita escrow banconote:

Questo comando permette due regolazioni così come descritto di seguito:

Questo comando serve a bloccare l'accettazione di particolari monete in condizioni di resto piccolo cioè quando il display visualizza il messaggio "Inserire solo importo esatto".

1. bloccare l'accettazione di particolari monete in condizioni di possibile mancanza resto cioè quando il display visualizza il messaggio "Inserire solo importo esatto".
2. Abilitare per ciascuna banconota la funzione di "Escrow".

Comando 35 Azzeramento contatori monete nei tubi rendiresto:

Comando da utilizzarsi nel caso di sostituzione gettoniera o svuotamento a macchina spenta dei tubi rendiresto per sincronizzare i contatori con l'effettivo contenuto dei tubi rendiresto.

1. Modo programmazione, display visualizza Comando 00
2. Digitare 35 e premere ENTER, display visualizza Code 0000
3. Digitare 6203 e premere ENTER.

Comando 36 Condizione di importo esatto (mancanza resto):

Con questo comando si imposta per ciascun tubo rendiresto il numero di monete al di sotto del quale risulta vera la condizione di mancanza resto. Il valore impostato deve considerare il livello minimo monete nei tubi (comando 32) nel senso che deve essere superiore a quest'ultimo (esempio: se il comando 32 è impostato a 5, i valori impostati al comando 36 devono avere come valore minimo 6). I tubi che non si vogliono includere nella condizione vanno impostati a "0".

Quando il contenuto di uno qualsiasi dei tubi, compresi nella condizione, scende al di sotto del valore corrispondente impostato la macchina visualizzerà l'avvertimento della mancanza di resto.

Comando 37 Inibizione lettore di banconote in condizione di importo esatto:

Impostando a 1 questo comando in condizioni di importo esatto, il lettore di banconote viene inibito.

N.B. Nel caso venga installato solamente il lettore di banconote, questo comando deve essere impostato a 0.

Comando 38 Svuotamento tubi rendiresto:

Questo comando è utilizzato per fare l'inventario delle monete presenti nei tubi della gettoniera. Per ottenere l'erogazione dal tubo 1 (monete di valore più piccolo) si procede nel modo seguente:

1. Modo programmazione, display visualizza..... Comando 00
2. Digitare 38 e premere ENTER, display visualizza..... Tube num. 00
3. Digitare 1 e premere ENTER,

La gettoniera inizia ad erogare monete dal tubo prescelto fino al rilascio del pulsante ENTER.

Comando 39 Riempimento tubi rendiresto:

Si procede nel modo seguente:

1. Modo programmazione, display visualizza..... Comando 00
2. Digitare 39 e premere ENTER
3. Inserire le monete nella gettoniera
4. Premere nuovamente il pulsante ENTER

N.B. Se la procedura non viene eseguita correttamente si possono trovare dei valori errati ai comandi 09 e 10.

9.5 UTILIZZAZIONE SISTEMI DI PAGAMENTO EXECUTIVE STD/EXECUTIVE PRICE HOLDING

Comando 39 Riempimento tubi rendiresto:

Si procede nel modo seguente:

1. Modo programmazione, display visualizza Comando 00
2. Digitare 39 e premere ENTER
3. Inserire le monete nella gettoniera
4. Premere nuovamente il pulsante ENTER



L'impostazione visualizzazione del punto decimale dei prezzi visibile sul display, deve essere impostato sul sistema di pagamento.

Executive Standard ⇒ Comando 69 programmato a 0

Il sistema di pagamento Executive standard, gestisce i prezzi direttamente in macchina e non sul sistema di pagamento.

Per esempio se si vuole impostare la selezione 21 a 0,75 € seguire le istruzioni illustrate di seguito:

- 1.1) Modo programmazione , display visualizza Comando 00
- 1.2) Digitare 03 e premere ENTER, display visualizza Selezione Nr. 00
- 1.3) Digitare 21 e premere ENTER, display visualizzaPrezzo 00
- 1.4) Digitare 75 e premere ENTER, display visualizza Selezione Nr. 00

Se si desidera programmare un'altra selezione, ripetere la sequenza dal punto 1.2 altrimenti premere due volte ESC.

Executive price-holding ⇒ Comando 69 programmato a 1

Nel sistema di pagamento Executive price-holding i prezzi sono gestiti dal sistema di pagamento.

In questo caso dovremo copiare la tabella prezzi (lista prezzi) programmata sul sistema di pagamento sul comando 03 del distributore (da prezzo 1 a prezzo n) , mentre sul Comando 05 saranno abbinati alla selezione i prezzi facendo riferimento al loro numero .

Esempio: se si vuole impostare la selezione 11 a 0,35 € fare come spiegato di seguito:

Supponiamo che il secondo prezzo impostato sul sistema di pagamento sia 0,35 €.

- 1.1) Modo programmazione , display visualizza Comando 00
- 1.2) Digitare 03 e premere ENTER, display visualizzaPrezzo Numero 00
- 1.3) Digitare 02 (secondo prezzo) e premere ENTER, display visualizzaPrezzo 00
- 1.4) Digitare 35 e premere ENTER, display visualizzaPrezzo Numero 00
- 1.5) Premere ESC il display visualizza..... Comando 00
- 1.6) Digitare 05 e premere ENTER, display visualizza Selezione Nr. 00
- 1.7) Digitare 11 e premere ENTER, display visualizzaPrezzo Numero 00
- 1.8) Digitare 02 (secondo prezzo) e premere ENTER, display visualizza Selezione Nr. 00

Se si desidera programmare un'altra selezione ripetere la sequenza dal punto 1.6 altrimenti premere due volte ESC.

Executive price-display ⇒ Comando 69 programmato a 1

Nel sistema di pagamento Executive price-display i prezzi sono gestiti dal sistema di pagamento.

Sul Comando 05 saranno abbinati alla selezione i prezzi facendo riferimento al loro numero.

Esempio:

- 1.1) Digitare 05 e premere ENTER, display visualizza Selezione Nr. 00
- 1.2) Digitare n° selezione e premere ENTER, display visualizzaPrezzo Numero 00
- 1.3) Digitare ad es. 02 (secondo prezzo) e premere ENTER, display visualizza Selezione Nr. 00

Se si desidera programmare un'altra selezione ripetere la sequenza dal punto 1.1 altrimenti premere due volte ESC.

10 REGOLAZIONI

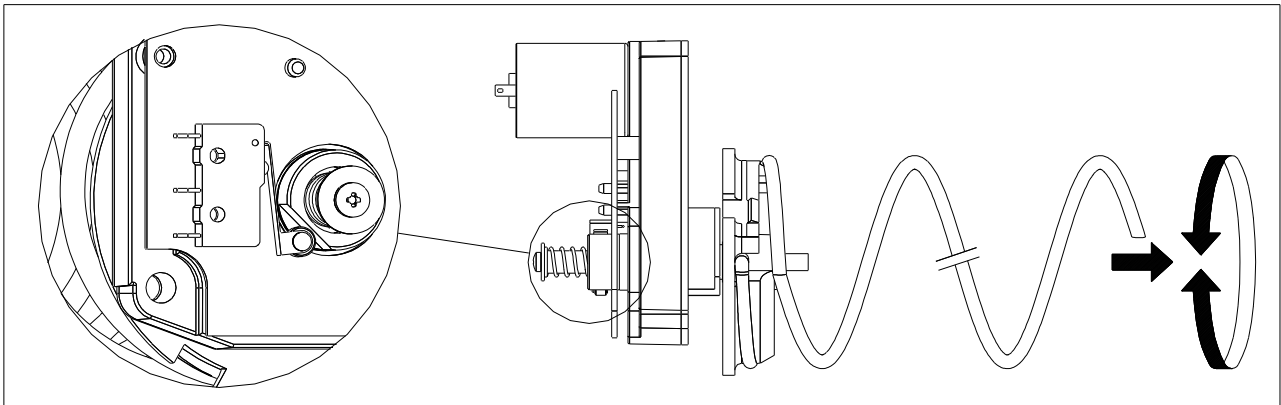
10.1 SPIRALI



La maggior parte dei prodotti si vende senza problemi quando l'estremità della spirale è posizionata a ore 6. Per modificare l'estremità bisogna tirare la spirale in avanti fino a che il quadro del supporto spirali non esce dal motore, quindi fare ruotare la stessa nella posizione desiderata e rilasciare, per effetto della molla dovrà rientrare nel motore eventualmente spingere per farlo rientrare del tutto.

Ogni spirale può essere ruotata di 45° alla volta.

ATTENZIONE: nel fare questa operazione assicurarsi che la camma del micro del motorino si trovi sempre nella posizione di riposo. Per far questo è sufficiente eseguire alcune erogazioni in modalità di "TEST VEND" (vedi paragrafo TASTIERA FUNZIONI/PROGRAMMAZIONE).

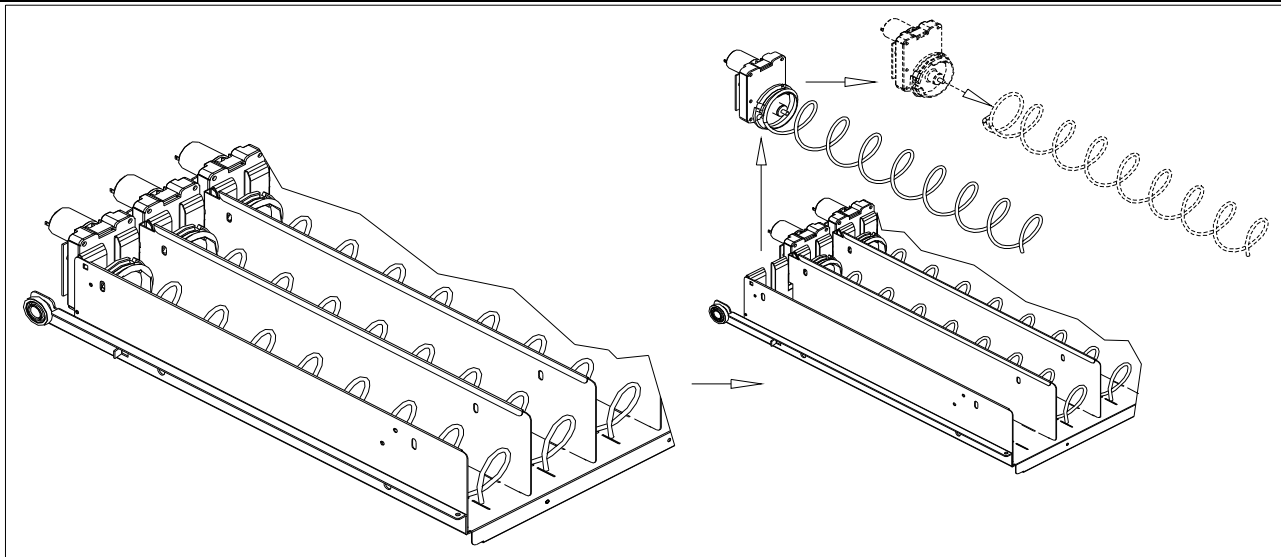


10.2 SOSTITUZIONE SPIRALE E GRUPPO MOTORE ESPULSORE



Il distributore è fornito di cassette con spirali a passi e diametri diversi. Per variare la quantità o la loro disposizione procedere come segue:

- Spegnere la macchina agendo sull'interruttore generale e staccare la spina.
- Aprire la porta principale.
- Estrarre il cassetto su cui bisogna variare la spirale.
- Scollegare e togliere il gruppo motore-spirale.
- Togliere la spirale dal supporto in plastica (fare leva tra spirale e supporto) e montare altra spirale o altro gruppo motore espulsore.
- Montare il nuovo gruppo spirale procedendo in senso contrario, ad operazione ultimata verificare che l'estremità della spirale sia ad ore 6, altrimenti vedere paragrafo "SPIRALI".



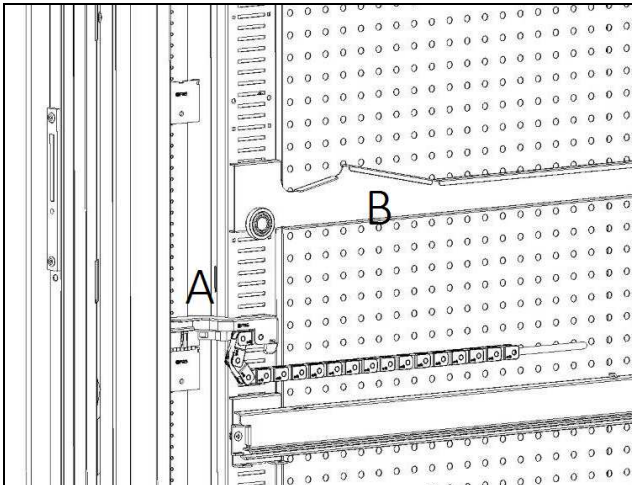


fig. 4

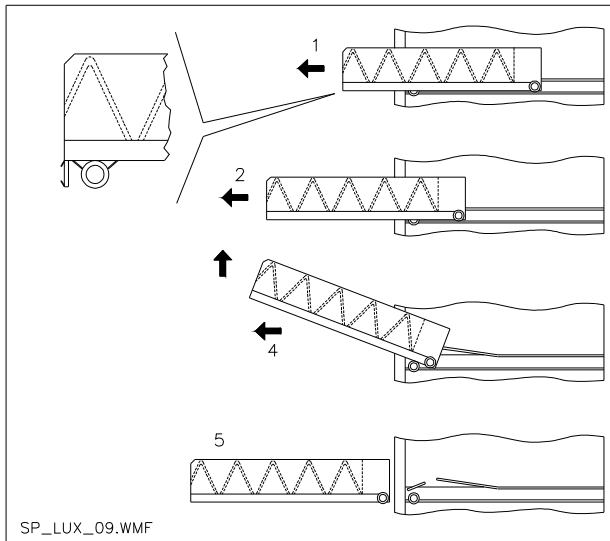


fig. 5

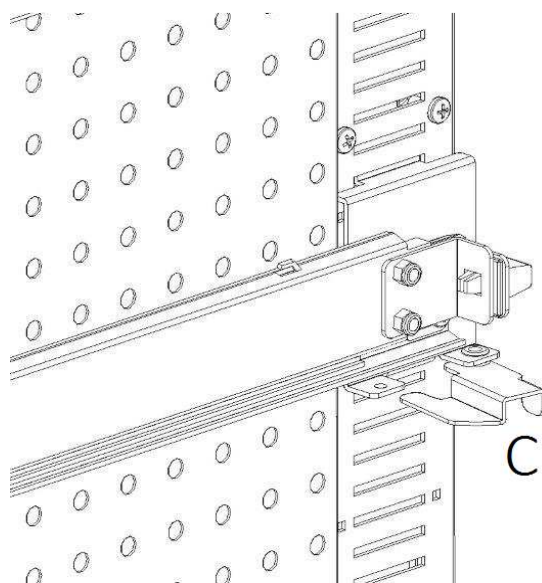


fig. 6

10.3 PROCEDURA PER LA RIMOZIONE DEI CASSETTI ⚠

Per sostituire il cassetto agire come segue:

- Spegnere la macchina agendo sull'interruttore generale e staccare la spina.
- Aprire la porta principale.
- Disconnettere il connettore elettrico -A-
- Estrarre il cassetto vincendo il blocco della molla di posizionamento (tirare con dolcezza)
- Tirare il cassetto sino al fermo, quindi alzare verso l'alto, poi ruotare verso il basso sino allo sganciamento dalla guida, infine rimuoverlo dalla macchina.

Per il montaggio di un altro cassetto procedere come segue:

- Inserire il cassetto.
- Spingere fino a che il cassetto si innesta nella posizione di blocco
- Inserire il connettore elettrico -A-
- Chiudere la porta principale.
- Dare tensione agendo sull'interruttore generale.

10.4 VARIAZIONE CASSETTI ⚠

I distributori aventi 6 cassette possono essere trasformati a 7 cassette procedendo come segue:

- Spegnere la macchina agendo sull'interruttore generale e staccare la spina.
- Estrarre tutti i cassette dal D.A.
- Spostare le guide rif. B, (l'ultima in basso è già nella posizione corretta quindi non bisogna spostarla). Per spostare le guide, agire sul gancio rif. C e poi ruotare la guida per rimuoverla e riposizionarla alla quota desiderata.
- Spostare i connettori, rif. A, posti sul bordo del cassone.
- Aggiungere una coppia di guide.
- Montare 7 cassette verificando che i connettori siano ben inseriti.
- Impostare i nuovi prezzi.

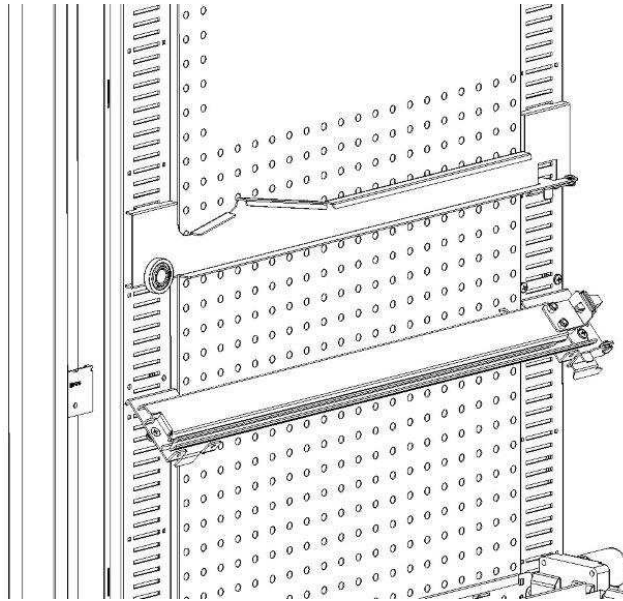


fig. 7

10.5 PROCEDURA CAMBIO SPONDA GESTIONE TEMPERATURE

Per poter modificare la stratificazione delle temperature interne alla macchina è necessario utilizzare la sponda adeguata come spiegato nel **Capitolo 3**.

Per sostituire le sponde presenti nel D.A.:

- togliere i cassettei come spiegato in precedenza
- togliere tutte le guide rif.B
- agire sulla parte alta della sponda forata tirando verso l'interno macchina come in **fig.8**.
- E' possibile ora sfilare la sponda e montare la sponda desiderata eseguendo la procedura all'inverso.

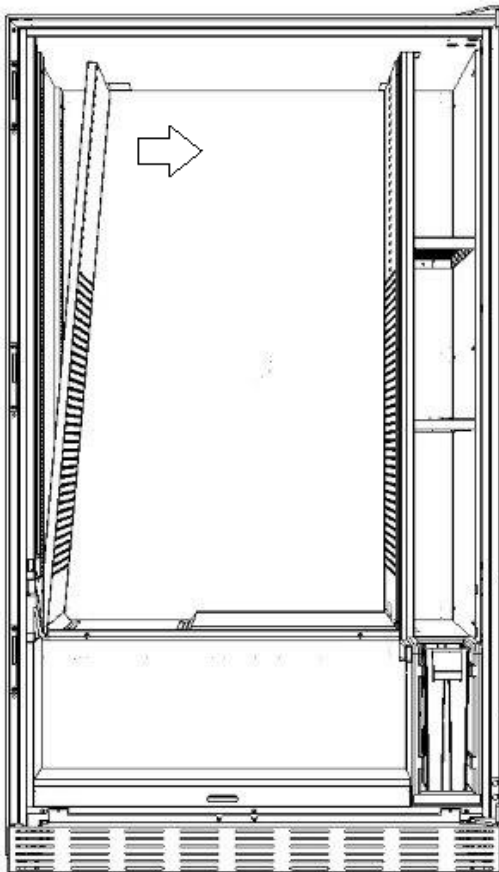
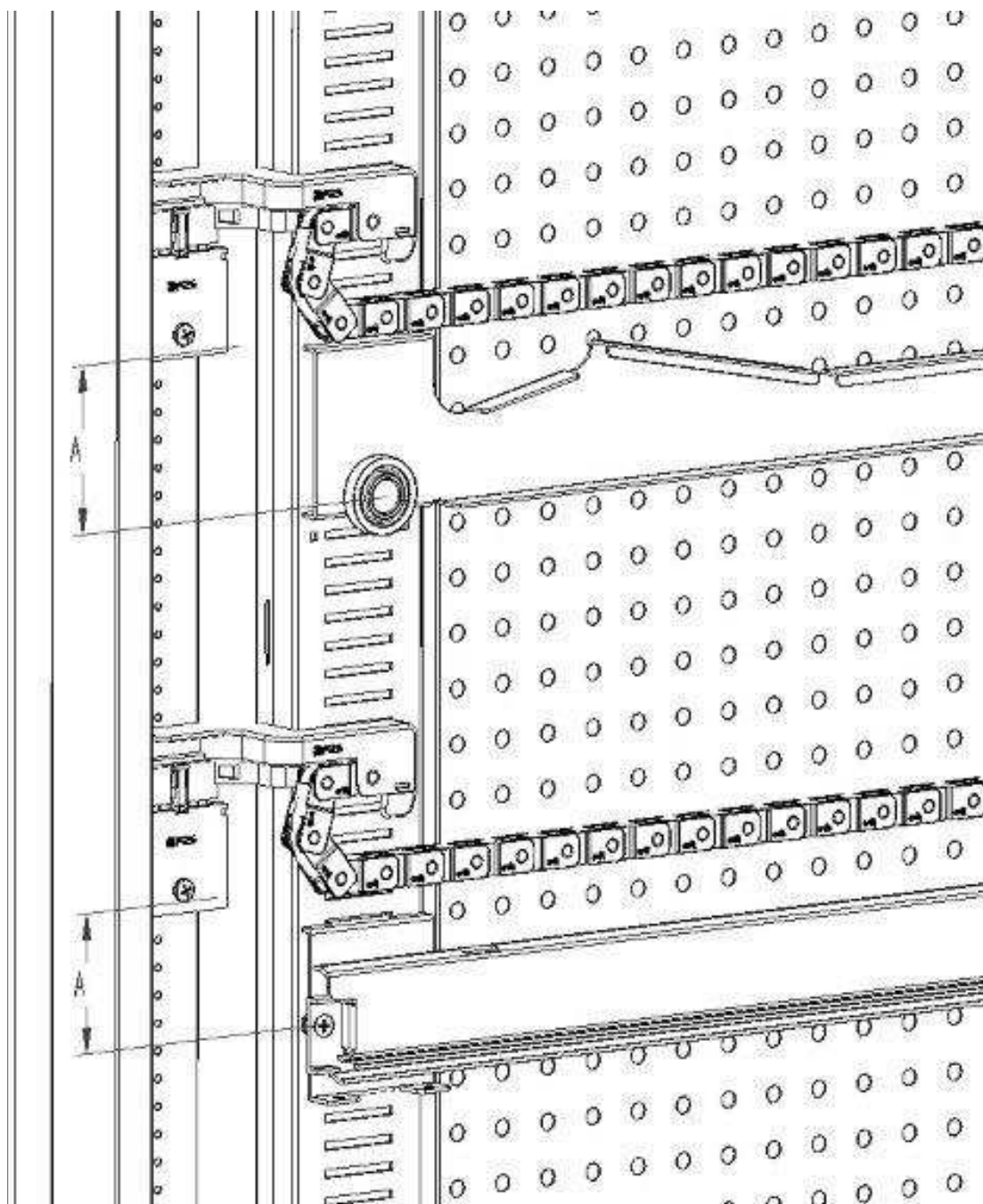


fig. 8

10.6 DISPOSIZIONE DI FISSAGGIO DEL CABLAGGIO CASSETTO ⚠



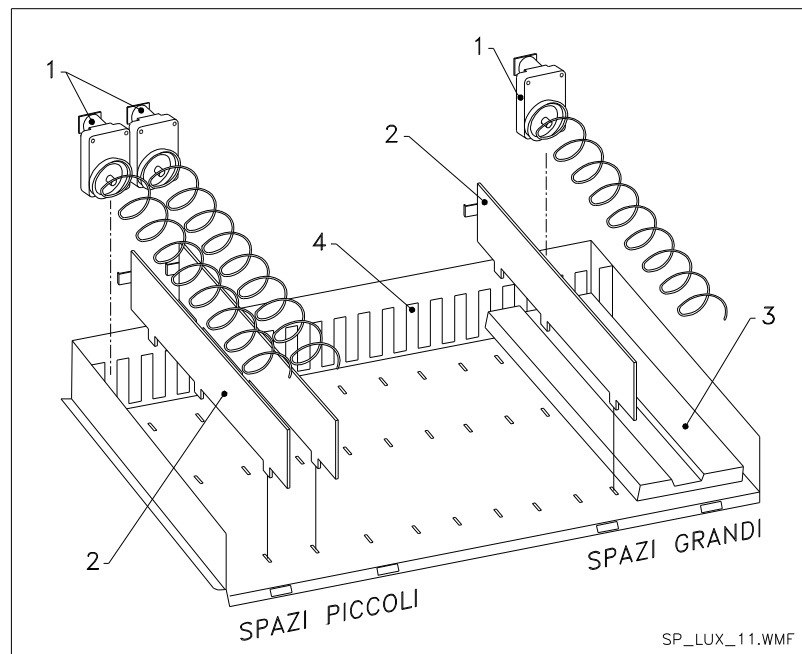
Nel caso in cui ci sia una variazione del numero di cassette all'interno del distributore automatico, o comunque una riconfigurazione nella disposizione tra di loro, per un corretto svolgimento dello scorrimento del cablaggio nell'estrazione del cassetto, si consiglia di attenersi scrupolosamente alle misure consigliate, come da tabella a seguire:

TIPO CASSETTO/GUIDA	QUOTA "A" (mm)
Cassetto con guida standard 1	60
Cassetto con guida rinforzata 2	70
Qualsiasi cassetto con barra di scarico bottiglie	110

10.7 ISTRUZIONI PER LA CONVERSIONE DEI CASSETTI

da spazio grande a due spazi piccoli.

- Spegnere la macchina agendo sull'interruttore generale e staccare la spina.
- Aprire la porta.
- Togliere la copertura neon.
- Estrarre il cassetto da modificare.
- Sfilare il gruppo motore + spirale rif.1.
- Togliere il vassoio rif.3.
- Sostituire la spirale con diametro grande con una di diametro piccolo.
- Inserire il gruppo motore+spirale di diametro piccolo nella fessura di sinistra del supporto rif. 4.
- Inserire il nuovo gruppo motore + spirale di diametro piccolo nella fessura di destra collegandolo al cablaggio esistente sul cassetto.
- Aggiungere il nuovo divisorio in mezzo alle due spirali rif. 2.
- Installare le nuove targhette prezzi e selezioni.
- Introdurre il cassetto modificato avendo cura che il connettore sia inserito.
- Programmate le nuove selezioni al prezzo di vendita desiderato.
- Provate le selezioni modificate per assicurarvi che funzionino.



da due spazi piccoli a uno spazio grande.

- Spegnere la macchina agendo sull'interruttore generale e staccare la spina.
- Aprire la porta.
- Togliere la copertura neon.
- Estrarre il cassetto da modificare.
- Sfilare i gruppi motore + spirale rif.1.
- Un gruppo motore + spirale metterlo da parte e l'altro sostituirgli la spirale di diametro piccolo con una di diametro grande.
- Togliere il separatore rif.2.
- Inserire il vassoio rif.3.
- Inserire il gruppo motore + spirale di diametro grande nella fessura di centro del supporto rif. 4.
- Installate le nuove targhette prezzi e selezioni.
- Introdurre il cassetto modificato avendo cura che il connettore sia inserito.
- Programmate le nuove selezioni al prezzo di vendita desiderato. **NOTA: Nelle selezioni degli spazi grandi, i numeri di selezione saranno dispari. ES: Le selezioni A 1 e A 2 convertite a un singolo compartimento, la selezione diventa A 1.**
- Provate le selezioni modificate per assicurarvi che funzionino

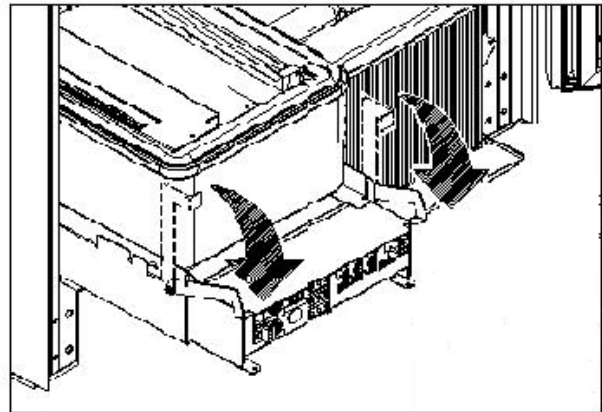
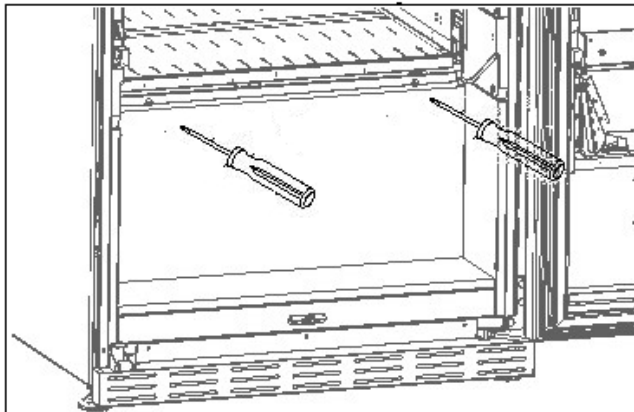
10.8 ACCESSO AL PANNELLO ELETTRICO ED AL GRUPPO REFRIGERANTE

Per accedere al pannello elettrico o al gruppo refrigerante procedere come segue:

- Spegnere la macchina agendo sull'interruttore generale e staccare la spina.
- Aprire la porta.
- Con cacciavite a croce, svitare le due viti che fissano la tasca recupero prodotti al cassone. Sfilare la tasca.
- Per estrarre il gruppo refrigerante, abbassare le due leve che si trovano ai lati della scatola dell'evaporatore, assicurarsi che la guarnizione posta nel bordo superiore della scatola dell'evaporatore sia completamente staccata dalla sede di tenuta, tirare dalla maniglia predisposta. ATTENZIONE ai cablaggi.
- A seguito del Regolamento 517/2014/CE i gruppi frigo useranno gas refrigeranti alternativi. A bordo del gruppo frigo sono presenti le debite etichette per riconoscere il tipo di gas usato e la sua carica. Il Gruppo Frigo è completamente ermetico: le eventuali operazioni di sostituzione in macchina necessitano quindi di una semplice operazione meccanica. Nel caso invece l'operatore professionale voglia provvedere ad una riparazione in proprio, deve preliminarmente verificare di avere le conoscenze e le attrezzature corrette previste per la tipologia di gas indicata.



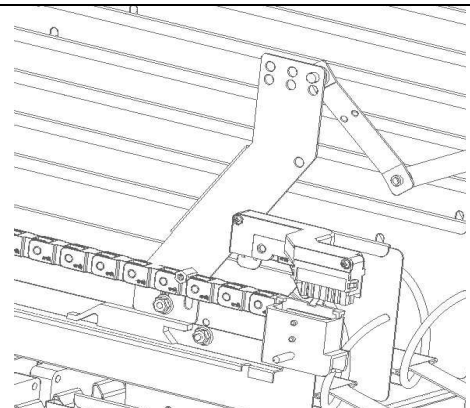
Pannello elettrico: Togliendo la tasca recupero prodotto, l'intero distributore rimane sotto tensione. Il completo isolamento dalla rete elettrica si ottiene solamente staccando la spina dall'interruttore magnetotermico esterno. Pertanto tutte le operazioni che richiedono il distributore, senza la protezione della tasca recupero prodotti, devono essere eseguite soltanto da personale qualificato ed informato dei rischi specifici che tale condizione comporta.



10.9 KIT SCARICO BOTTIGLIE

La barra può essere posizionata in 6 diversi fori a seconda della tipologia di bottiglia caricata

ATTENZIONE: la barra di scarico bottiglie non deve essere utilizzata per estrarre il cassetto.



10.10 ISTRUZIONI SOSTITUZIONE APPARATO ILLUMINAZIONE INTERNA



- Spegnere la macchina agendo sull'interruttore generale e staccare la spina.
- Aprire la porta principale.
- Togliere la copertura della sorgente luminosa.
- Sostituire la sorgente luminosa.
- Eseguire le operazioni inverse per il montaggio.

11 ISTRUZIONI PER LA PULIZIA





Queste attività devono essere svolte da personale con esperienza pratica dell'apparecchio, trattandosi di sicurezza e di igiene.

Al fine di assicurare un funzionamento ottimale del distributore nel tempo, lo stesso deve essere oggetto di adeguata e periodica manutenzione. Questo capitolo è dedicato alle operazioni di manutenzione ed alle loro scadenze che devono essere considerate comunque indicative in quanto dipendenti da vari fattori quali il tipo di prodotti usati, le condizioni climatiche ed in particolare l'umidità, ecc. Le operazioni descritte in questo capitolo non esauriscono tutti gli interventi di manutenzione. Tutte le operazioni di pulizia devono essere effettuate dopo aver tolto l'alimentazione elettrica al distributore. In nessun caso è consentito l'uso di getti di acqua diretti e/o ad alta pressione per lavare il distributore. Onde evitare rischi di ossidazione o di aggressioni chimiche in genere, occorre tenere ben pulite le superfici in acciaio inox e verniciate.

11.1 PUNTI DI PULIZIA IMPORTANTI

Utilizzare i prodotti per la pulizia attenendosi scrupolosamente alle dosi riportate sull'etichetta. Non utilizzare detergenti troppo "aggressivi" in quanto potrebbero danneggiare alcune parti, pertanto il costruttore ne declina ogni responsabilità per danni causati sull'errato utilizzo di tali detergenti, o sull'impiego di agenti tossici.

Con prodotti sanificanti (clorodetergenti o simili) 	Interno cassone (zona cassette), i cassette , vetro di esposizione. Eventuali residui di detergente, disinfettante, alimento, vanno rimossi con una spugna umida prima della rimessa in esercizio della macchina.	Ad ogni ricarica, o comunque ogni 5 giorni
---	--	--

Con aspirapolvere o con aria compressa 	Togliere lo sporco dal condensatore. Controllare che vi sia passaggio aria fra il fronte ed il retro del condensatore. Pulire sempre il cassone dopo questa operazione.	mensilmente
--	--	-------------

Se non si fa correttamente questa operazione o non la si fa proprio si può danneggiare irreparabilmente il sistema di refrigerazione.

11.2 INATTIVITÀ
























In previsione di una lunga sosta di inattività della macchina, si devono adottare opportune precauzioni perché non si creino situazioni pericolose all'avvio; per lunga sosta si intende un periodo di inattività completa superiore ad un mese.

Nel caso di lunghi periodi di riposo è necessario:

- Pulire accuratamente la macchina ed asciugarla;
- Controllarla accuratamente e sostituire le parti danneggiate od usurate;
- Verificare i serraggi di viti e bulloni;
- Coprire la macchina dopo averla stazionata in ambiente protetto.

La rimessa in funzione del distributore automatico deve essere eseguita in conformità al paragrafo "Installazione" del presente manuale, con attenzione particolare in caso di vendita di prodotti alimentari (vedi paragrafo "Uso del distributore automatico per la vendita di prodotti alimentari").

SOMMAIRE

1	GÉNÉRALITÉS	2
1.1	IDENTIFICATION DE LA MACHINE	2
1.2	DISPOSITION DES AUTOCOLLANTS	3
1.3	GUIDE DE CONSULTATION	4
1.4	CONSIGNES DE SÉCURITÉ	5
2	EMPLOI DU DISTRIBUTEUR AUTOMATIQUE POUR LA VENTE DE PRODUITS ALIMENTAIRES	9
2.1	ÉVALUATION DE L'IMPACT DES RÉGLAGES DE TEMPÉRATURE SUR LES GASPILLAGES ALIMENTAIRES.....	10
3	CARACTÉRISTIQUES TECHNIQUES	11
4	COMPOSANTS DE LA PORTE	15
5	COMPOSANTS INTERNES	16
6	TRANSPORT, MANUTENTION, STOCKAGE ET DÉBALLAGE	17
6.1	TRANSPORT ET STOCKAGE  	17
6.2	DÉBALLAGE  	17
6.3	INSTALLATION  	18
6.4	AVERTISSEMENTS POUR L'INSTALLATION	19
6.5	RACCORDEMENT AU SYSTÈME DE PAIEMENT	19
7	AVERTISSEMENT POUR LA DÉMOLITION DE LA MACHINE	19
8	INTERVENTIONS SUR LE DISTRIBUTEUR	20
8.1	CHARGEMENT DES PRODUITS 	20
8.1.1	INSTRUCTIONS POUR LE CHARGEMENT DES PRODUITS 	20
8.2	ENTRETOISES POUR PRODUITS DANS LES TIROIRS.....	21
8.3	ÉJECTEUR POUR PRODUITS.....	21
8.4	PROCÉDURE DE VENTE D'UN PRODUIT	21
9	CLAVIER DES FONCTIONS/DE PROGRAMMATION  	22
9.1	VÉRIFICATION DE SÉLECTIONS.....	22
9.2	LISTE DES COMMANDES POUR LA PROGRAMMATION	23
9.2.1	ACCÈS AUX SOUS-MENUS.....	24
9.2.2	DÉFINITION PARAMÈTRES TEMPÉRATURE	28
9.2.3	RÉGLAGE DES PARAMÈTRES DE LA MACHINE	29
9.3	UTILISATION DU MONNAYEUR BDV.....	41
9.4	UTILISATION SYSTÈMES DE PAYEMENT MDB	43
9.5	UTILISATION DES SYSTÈMES DE PAIEMENT EXECUTIVE std/EXECUTIVE PRICE HOLDING.....	45
10	RÉGLAGES	46
10.1	SPIRALES	46
10.2	REPLACEMENT D'UNE SPIRALE ET DU GROUPE MOTEUR ÉJECTEUR	46
10.3	PROCÉDURE POUR L'EXTRACTION DES TIROIRS  	47
10.4	VARIATION TIROIRS  	47
10.5	PROCÉDURE DE REMPLACEMENT DU BORD DE GESTION DES TEMPÉRATURES  	48
10.6	DISPOSITION DE FIXATION DU CÂBLAGE DU TIROIR  	49
10.7	INSTRUCTIONS POUR LA CONVERSION DES TIROIRS  	50
10.8	ACCÈS AU PANNEAU ÉLECTRIQUE ET AU GROUPE FRIGORIFIQUE  	51
10.9	KIT DE DISTRIBUTION DES BOUTEILLES 	51
10.10	INSTRUCTIONS DE REMPLACEMENT DE L'APPAREIL D'ÉCLAIRAGE INTÉRIEUR.....	51
11	INSTRUCTIONS DE NETTOYAGE	52
11.1	POINTS DE NETTOYAGE IMPORTANTS	52
11.2	INACTIVITÉ	52

1 GÉNÉRALITÉS



Ce manuel décrit le modèle le plus complet : il est donc possible que certaines descriptions ou explications ne concernent pas votre machine.

Cette documentation fait partie intégrante de la machine et doit donc l'accompagner dans tout transfert de propriété ou déplacement d'entreprise.

Avant de procéder à l'installation et l'utilisation du distributeur, il est nécessaire de lire attentivement et de bien comprendre le contenu de ce manuel car il fournit des informations importantes concernant la sécurité de l'installation, les règles d'utilisation et les opérations d'entretien.

Ce manuel fournit toutes les informations nécessaires pour que le personnel responsable du fonctionnement et de l'entretien de routine de la machine puisse travailler dans des conditions de sécurité.

En outre, il est conseillé de contacter le fabricant pour toute information sur les pièces de rechange ou les accessoires. Dans tous les cas, il est interdit de réaliser des opérations dont les méthodes exactes ne sont pas maîtrisées.

Ce manuel ou une copie de celui-ci doit toujours être près de la machine pour consultation par l'opérateur. Il doit être conservé dans un endroit à l'abri de la chaleur, de l'humidité et des agents corrosifs (huile, lubrifiants, produits corrosifs).

Pendant sa consultation, il faut faire attention à ne pas l'endommager. Il ne faut pas enlever des pages, remplacer ou effacer des informations ou en modifier le contenu.

Toutes les mises à jour et notices explicatives des accessoires complètent ce manuel et doivent donc être jointes à celui-ci.

Pour accéder à la zone de pièces de rechange en ligne, saisir l'adresse indiquée ci-dessous :

<https://ricambi.fas.it>

L'étiquette énergétique se trouve à l'intérieur du manuel d'utilisation pour servir comme indiqué dans le Règlement. Nous rappelons que l'étiquette énergétique doit être placée sur le Distributeur uniquement sur le point de vente : à savoir le lieu où les appareils de réfrigération avec fonction de vente directe sont exposés ou proposés à la vente, à la location ou à la location-vente.

Nous rappelons également que les données figurant sur l'étiquette énergétique ne sont plus valables à partir du moment où la machine est transformée par des tiers (exemple à titre indicatif et non exhaustif : assemblage de périphériques).

S'il s'avère nécessaire de vérifier les données, encadrer le QRCode en haut à droite de l'étiquette : vous serez connectés à la Base de données européenne de produits Eprel, où vous trouverez les originaux des données déclarées.

1.1 IDENTIFICATION DE LA MACHINE

Les premières pages de ce manuel donnent à l'utilisateur des renseignements sur la façon d'identifier le DISTRIBUTEUR AUTOMATIQUE. Ces renseignements seront très importants dans l'avenir pour permettre au fabricant de fournir à l'utilisateur, avec rapidité et sécurité, des informations techniques de toute nature et de faciliter la gestion des pièces de rechange.

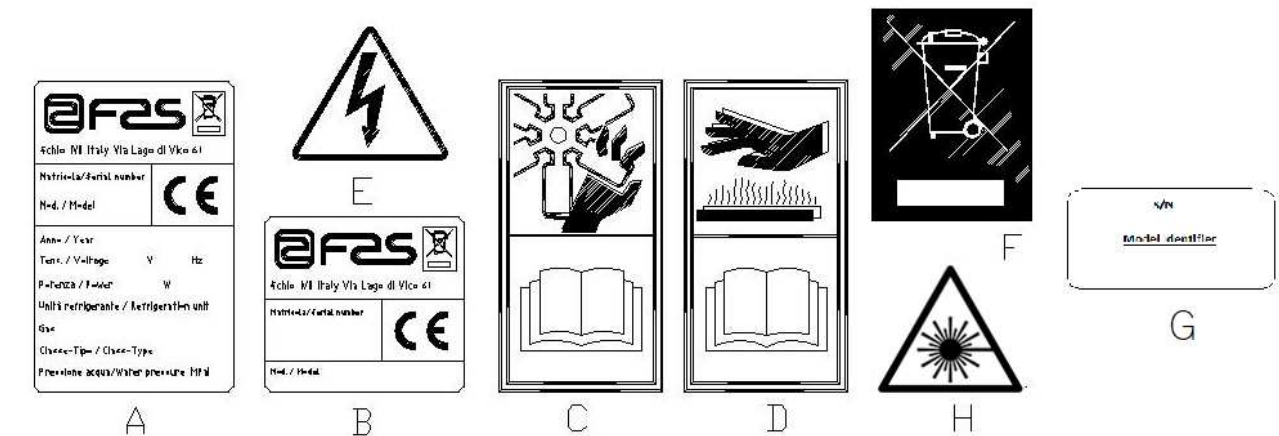


Ne pas endommager ou enlever les supports nécessaires pour identifier le produit et les autocollants de sécurité.

Le support d'identification est la plaque plastifiée sur laquelle sont indiquées les données à mentionner au fabricant en cas de nécessité.

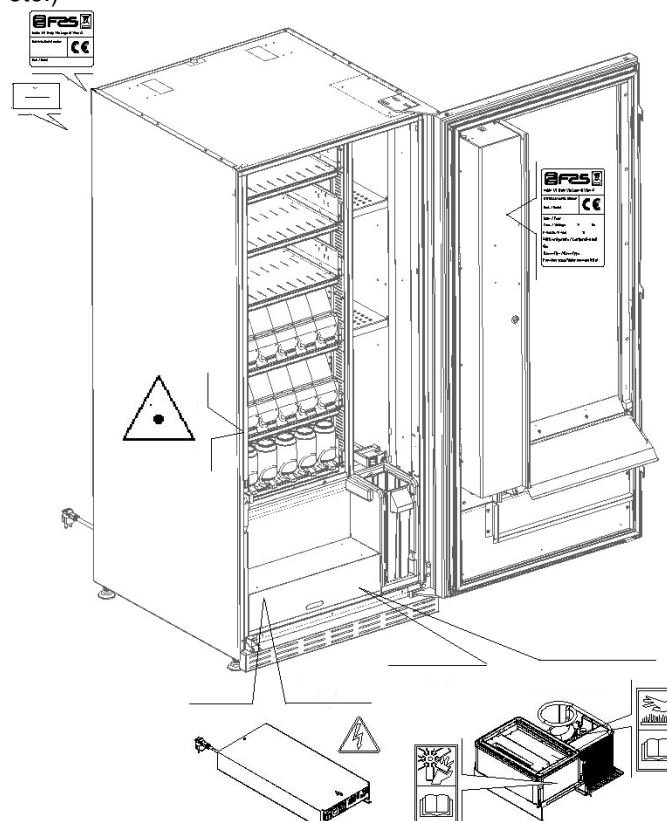
Cette plaque est la seule reconnue par le fabricant comme un élément d'identification du produit.

1.2 DISPOSITION DES AUTOCOLLANTS








A	Plaque d'identification complète
B	Plaque d'identification
C	Autocollant de sécurité indiquant les risques découlant de la présence d'éléments tournants
D	Autocollant de sécurité indiquant les surfaces chaudes
E	Autocollant de sécurité indiquant la présence de tension électrique
F	Élimination conformément à la réglementation DEEE, selon la transposition nationale de la directive.
G	Plaque d'identification famille énergétique
H	(ÉCLAIRAGE LED) RAYONNEMENT LASER – NE PAS REGARDER DIRECTEMENT DANS LE FAISCEAU – PRODUIT LASER CLASSE 2

La plaque d'identification complète « A », contenant toutes les données de la machine, est placée à l'intérieur de la caisse (voir le schéma ci-dessous). Si des sérigraphies sont présentes sur le côté de la caisse, la plaque « B » est appliquée sur l'arrière de la caisse, en haut à droite. Par ailleurs, le numéro de série est indiqué sur les éléments les plus importants de la machine (cartes, compresseur, ventilateurs, etc.)



FRANÇAIS



1.3 GUIDE DE CONSULTATION

SYMBOLE	SIGNIFICATION	COMMENTAIRE
	DANGER	Ce symbole prévient l'opérateur de la présence d'un danger, voire mortel.
	AVERTISSEMENT	Signale un avertissement ou une note sur des fonctions clés ou sur des informations utiles. Prêter la plus grande attention aux textes signalés par ce symbole. Le personnel chargé de l'entretien doit lire une valeur de mesure, contrôler une indication, vérifier la bonne position de tous les éléments de la machine etc., avant de procéder à l'exécution d'une certaine commande ou opération.
	ACTIVITÉ/MAINTENANCE ORDINAIRE	<i>L'entretien ordinaire comprend</i> : la recharge, la programmation des paramètres de contrôle, l'encaissement et le nettoyage des zones en contact avec les produits alimentaires.
	ACTIVITÉ/MAINTENANCE EXTRAORDINAIRE	<i>L'entretien extraordinaire comprend</i> : les opérations d'entretien plus ou moins complexes (mécaniques, électriques, etc.) dans des situations particulières ou en tout cas convenues avec l'utilisateur et qui ne sont pas incluses dans l'entretien ordinaire.
	RECYCLAGE	Il est impératif d'éliminer les matériaux en respectant l'environnement.

Prêter également une attention particulière aux textes en gras, avec des caractères plus grands ou soulignés, car ils se réfèrent toujours à des opérations ou des informations très importantes.
Les schémas électriques joints sont destinés exclusivement au personnel technique spécialisé autorisé par le fabricant à effectuer des opérations extraordinaires de contrôle et d'entretien.




Au cours de ce manuel, pour la définition des positions par rapport à la machine, on utilisera les termes « devant » ou « avant » pour le côté porte et les termes « derrière » ou « arrière » pour le côté opposé ; les termes « droite » et « gauche » se rapportent à l'opérateur situé à l'avant la machine et face à celle-ci.

Pour toute opération à effectuer sur la machine, se référer aux différents niveaux de qualification décrits ci-après, afin d'identifier le personnel autorisé à la réaliser.

Utilisateur final	Personne sans compétences spécifiques, capable de réaliser uniquement des activités d'achat et de prélèvement du produit par l'utilisation des commandes affichées sur la machine ou en suivant les instructions indiquées sur l'écran
Opérateur chargé de l'entretien ordinaire	Personnel capable d'effectuer les tâches de la qualification précédente et, en outre, d'agir selon les instructions marquées du symbole  qui sont contenues dans ce manuel.
Opérateur chargé de l'entretien extraordinaire	Personnel capable d'effectuer les tâches des qualifications précédentes et, en outre, d'agir selon les instructions marquées des deux symboles  qui sont contenues dans ce manuel. Dans certains cas, les techniciens spécialisés doivent être capables d'intervenir même lorsque les protections sont désactivées et donc dans des conditions de sécurité précaires. Cependant, toutes les opérations impliquant des pièces en mouvement et/ou sous tension doivent être effectuées dans des cas exceptionnels et seulement après avoir vérifié l'impossibilité d'intervenir dans des conditions de sécurité adéquates. L'accès à ces zones ne devrait être autorisé qu'aux personnes qui connaissent l'appareil et ont une certaine expérience pratique, en particulier en ce qui concerne la sécurité et l'hygiène.

Les opérations décrites dans ce manuel, relatives à chaque phase du cycle de vie de la machine, ont été soigneusement analysées par le fabricant. Par conséquent, le nombre d'opérateurs et la qualification requise pour chacune d'entre elles sont les plus appropriés pour garantir leur bonne exécution.

1.4 CONSIGNES DE SÉCURITÉ

	<p>Cet appareil peut être utilisé par des enfants de moins de 8 ans et par des personnes ayant des capacités physiques, sensorielles ou mentales réduites ou avec une expérience et des connaissances insuffisantes, à condition qu'ils soient soigneusement surveillés ou instruits sur la façon d'utiliser l'appareil en toute sécurité et sur les dangers que cela implique.</p>
	<p>L'utilisation d'accessoires ou de composants non d'origine peut compromettre la sécurité de la machine. Fas décline toute responsabilité en cas d'utilisation de pièces ou d'accessoires non d'origine et pour tout dommage direct ou indirect pouvant en découler. Fas n'est pas autorisée à effectuer des vérifications sur les produits similaires éventuellement offerts par le marché. Attention : l'utilisation de pièces de rechange non d'origine peut entraîner l'annulation totale de la garantie de la machine.</p>
	<p>La construction et l'analyse de sécurité du distributeur automatique sont conformes à la réglementation en vigueur.</p> <p>Le câble d'alimentation est du type à fiche non séparable. Tout remplacement du câble de connexion doit être effectué uniquement par le personnel qualifié du service après-vente.</p> <p>Toute intervention autre que l'entretien ordinaire doit être effectuée lorsque la fiche d'alimentation est débranchée.</p>



Il est obligatoire de porter des vêtements appropriés, conformément aux indications de ce manuel et aux lois en vigueur dans le pays d'utilisation de la machine. Dans tous les cas, il faut éviter les vêtements amples et flottants, les ceintures, les bagues et les colliers. Les cheveux longs doivent être contenus dans une coiffe.



Il est absolument interdit de faire fonctionner la machine lorsque les protections fixes et/ou mobiles sont démontées ou lorsque les dispositifs de sécurité sont désactivés.

Il est absolument interdit d'enlever ou d'altérer les dispositifs de sécurité.

N'effectuer aucun entretien ou réglage de la machine sans avoir lu et compris le contenu de ce manuel.

Les opérations de réglage à effectuer lorsque les dispositifs de sécurité sont réduits ou partialement désactivés doivent être confiées à une seule personne. Pendant leur déroulement, il faut interdire l'accès à la machine aux personnes non autorisées. Si possible, il vaudrait mieux d'ouvrir une seule protection à la fois.

Après avoir effectué une opération de réglage ou d'entretien avec les dispositifs de sécurité réduits, il faut réactiver toutes les protections et rétablir sans délai le fonctionnement de la machine.

Le respect scrupuleux des opérations d'entretien périodique indiquées dans ce manuel est essentiel pour travailler en toute sécurité et garantir le bon fonctionnement de la machine.

Afin d'éviter les accidents, il faut vérifier le bon état des étiquettes: de sécurité et étudier leur signification. Si elles sont détériorées, perdues ou qu'elles concernent des composants remplacés, elles doivent être remplacées par d'autres étiquettes d'origine à demander au fabricant, en les mettant dans la bonne position, comme indiqué dans ce manuel.



Il ne faut pas oublier que la prudence et les bonnes conditions psychophysiques de l'opérateur sont la meilleure garantie pour un travail en toute sécurité.



Il est absolument interdit d'utiliser les schémas électriques pour effectuer des modifications sur la



L'intervention d'opérateurs d'un nombre différent ou d'un niveau de qualification inférieur à celui requis pourrait mettre en danger la sécurité du personnel impliqué ou présent à proximité de la machine.



Les produits alimentaires dispensés par le distributeur automatique doivent être emballés hermétiquement. Respecter scrupuleusement les indications du producteur concernant la date de péremption de chaque produit et la température de conservation.

Le distributeur automatique est conçu pour le maintien de la température des produits et **NON PAS** pour leur refroidissement.

En cas de produits alimentaires frais et/ou facilement périssables et de toute façon dans tous les cas prévus par les lois en vigueur, il faut :

Établir la température à l'intérieur du distributeur automatique en conformité avec les lois en vigueur.

Maintenir les produits aux températures prévues par les lois en vigueur pendant le transport au distributeur automatique.



Ce distributeur est doté d'un dispositif de « sécurité frigo », conforme aux règles de conservation des denrées alimentaires fraîches en vigueur dans certains pays. Ce dispositif permet de maintenir ces produits dans les conditions prévues par le manuel, mais seulement si ces produits ont été introduits dans le distributeur à la bonne température de conservation conformément à ces règles.

Le non-respect de cette règle pourrait entraîner l'intervention de la « sécurité frigo ».



Afin de garantir le bon fonctionnement du distributeur, il est nécessaire de ne pas modifier les positions des tiroirs.



ATTENTION :

L'utilisation du distributeur dans la version « T.A. » (température ambiante) sans groupe de réfrigération NE PRÉVOIT PAS la vente de produits alimentaires.



En cas d'incendie, il ne faut pas diriger de jets d'eau vers la machine, dans la mesure où cela pourrait provoquer des courts-circuits susceptibles d'entraîner des accidents, voire la mort des personnes présentes.



Éteindre la machine à l'aide de l'interrupteur général et débrancher la prise. Ne pas laver le distributeur avec des jets d'eau directs et/ou à haute pression.



Ne jamais plonger le monnayeur dans l'eau
Ne pas utiliser de solvants ou d'éponges métalliques
Ne vaporiser aucun type de lubrifiant



Ne pas stocker dans cet appareil des substances explosives telles que des bombes aérosols contenant un propulseur inflammable.

	<p>Cet appareil est destiné à être utilisé dans des applications domestiques et similaires telles que :</p> <ul style="list-style-type: none"> - espaces cuisine pour le personnel dans les magasins, les bureaux et autres lieux de travail ; - gîtes ruraux et par les clients des hôtels, motels et autres espaces de type résidentiel ; - environnements de type bed and breakfast ; - service de restauration et applications similaires non liées à la vente au détail.
	<p>L'appareil doit être raccordé à un réseau d'alimentation muni d'une mise à la terre conforme aux lois en vigueur. Il est recommandé d'équiper le réseau d'alimentation électrique du distributeur d'un disjoncteur avec une ouverture des contacts d'au moins 3 mm. Laisser l'accès libre à la prise une fois que l'installation est effectuée. Il est interdit d'utiliser des rallonges, des adaptateurs ou des prises multiples.</p>
	<p>ATTENTION : durant le positionnement de l'appareil, s'assurer que le câble d'alimentation n'est pas coincé ou endommagé.</p>

2 EMPLOI DU DISTRIBUTEUR AUTOMATIQUE POUR LA VENTE DE PRODUITS ALIMENTAIRES


	<p>ATTENTION : Les températures de conservation des produits alimentaires doivent être déterminées et fixées selon les indications du producteur et en conformité avec les lois en vigueur. Le responsable du distributeur ne désignera qu'un personnel qualifié et compétent pour l'exécution de ces fonctions.</p>
--	---

Ce distributeur automatique permet la vente de produits alimentaires.

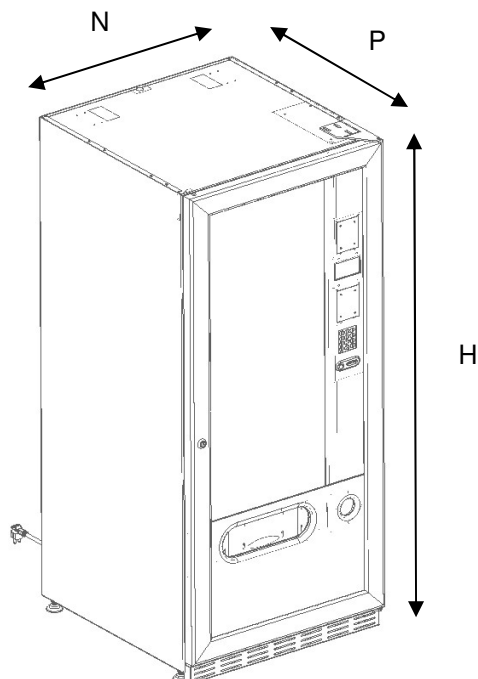
Quelques **exemples** des produits alimentaires vendables :

- Les bonbons, les noisettes, les chewing-gums et les sucreries analogues.
- Les biscuits, les crackers et les produits cuits aux fours analogues.
- Les aliments dont le pH n'est pas supérieur à 4,6 ou dont la valeur d'activité de l'eau (Aw) à 25 °C n'est pas supérieure à 0,85.
- Les aliments conservés à une température ne dépassant pas 5 °C pendant les périodes spécifiées par le fabricant, mais pas plus de 5 jours.
- Les aliments conditionnés hermétiquement.
- Les aliments traités pour prévenir leur détérioration.

2.1 ÉVALUATION DE L'IMPACT DES RÉGLAGES DE TEMPÉRATURE SUR LES GASPILLAGES ALIMENTAIRES

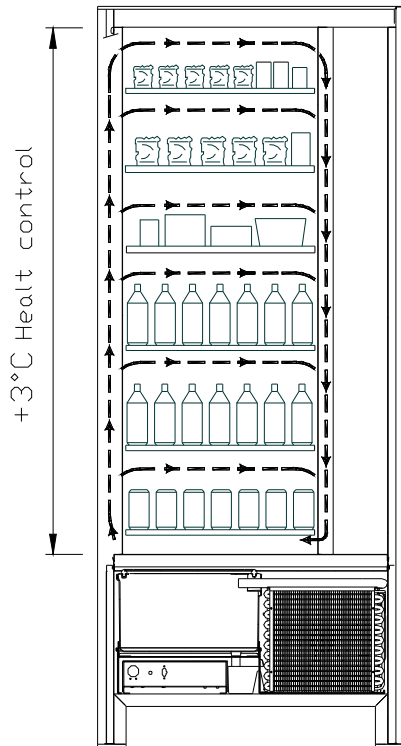
	<p>ATTENTION : L'utilisation des paramètres de programmation corrects permettra de gérer les produits alimentaires jusqu'à leur échéance naturelle, en minimisant donc les gaspillages. Par contre, il est recommandé d'effectuer une analyse Haccp correcte, de façon à ne pas avoir de réglages de sécurité frigo trop étroits par rapport aux paramètres de température extérieurs: nous rappelons que, conformément à la loi, à chaque fois que la sécurité est activée, il est obligatoire de jeter tout le produit périssable.</p>
---	---

3 CARACTÉRISTIQUES TECHNIQUES



Hauteur	H = 1830 mm (YOUNG 183) H = 1700 mm (YOUNG 170)
Largeur	L = 750 mm
Profondeur	P = 790 mm
Poids (sans emballage)	239 kg (YOUNG 183) 224 kg (YOUNG 170)
Tension nominale	voir plaque d'identification
Puissance nominale	voir plaque d'identification
Conditions environnementales limites de fonctionnement	Température ambiante max. 32 °C Température environnementale min. 3 °C Humidité relative max. 65 %
Système de réfrigération	Par compression - classe N - Évap. ventilé Dégivrage cyclique
Système de vente	FIFO
Nombre accès produits	1
Poids max. pour tiroir	15 kg distribué de façon uniforme 30 kg distribué de façon uniforme (avec tiroirs no inclinables)
Niveau de pression sonore pondéré « A »	Inférieur à 70 dB

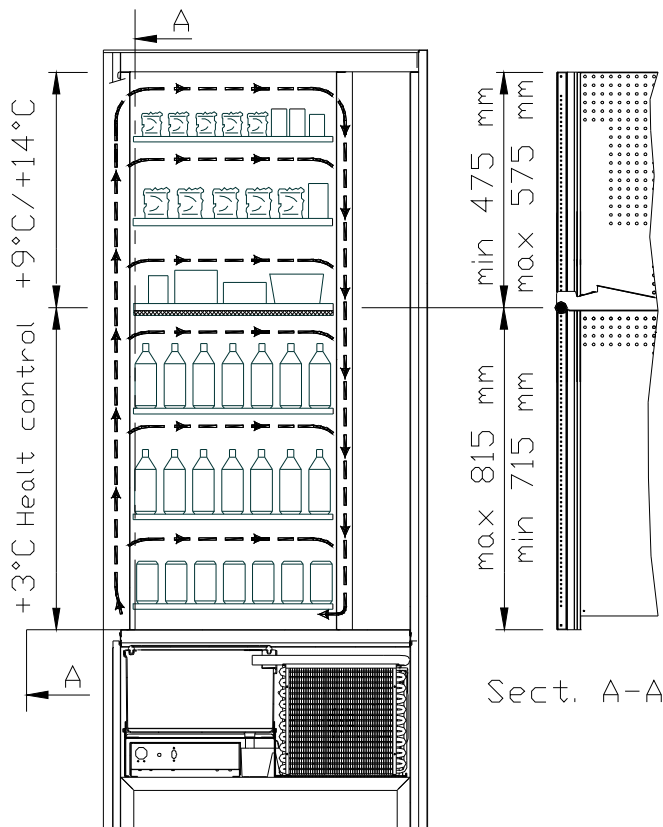
YOUNG 183 1T



- Tous les tiroirs peuvent être paramétrés à la température de +3 °C, température correcte pour une bonne conservation des substances alimentaires qui seraient périssables à des températures supérieures. Conformément aux normes HACCP (Hazard Analysis Critical Control Point), cette zone est équipée d'un dispositif de contrôle, appelé « sécurité frigo », qui interdit la vente du produit si la température susceptible de détériorer le produit est dépassée.

YOUNG 2T permet, grâce à un système électronique, d'avoir deux zones de températures différentes, notamment :

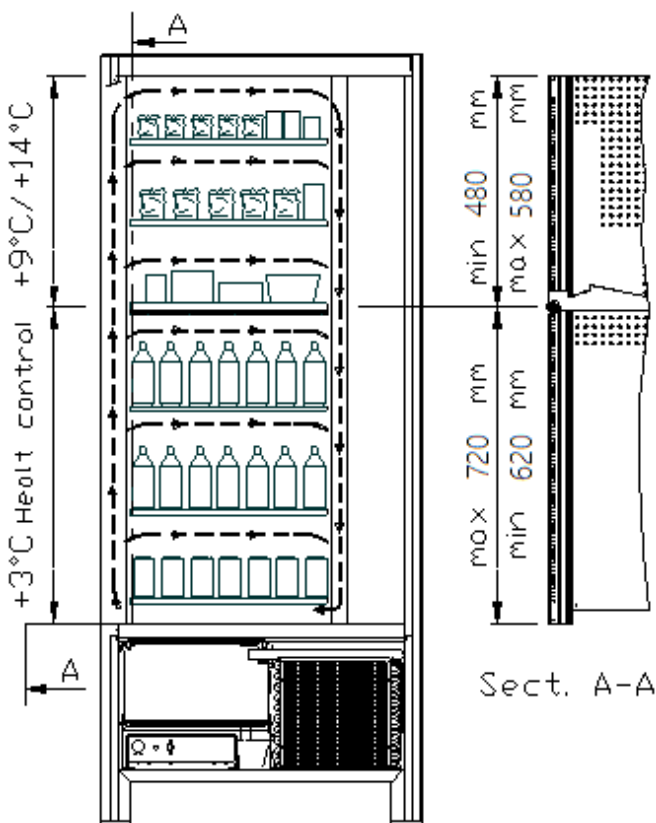
➤ YOUNG 183 2T



- La **zone des tiroirs supérieurs** où la température est échelonnée entre +9 et +14 °C, cette zone est idéale pour les produits à longue conservation.
- La **zone des tiroirs inférieurs** où la température peut être programmée à +3 °C pour permettre une parfaite conservation des substances qui risquent de se dégrader à des températures plus hautes. Conformément aux normes HACCP (Hazard Analysis Critical Control Point), cette zone est équipée d'un dispositif de contrôle, appelé « sécurité frigo », qui interdit la vente du produit si la température susceptible de détériorer le produit est dépassée.

Les deux zones sont séparées l'une de l'autre par un panneau isolant.

➤ YOUNG 170 2T



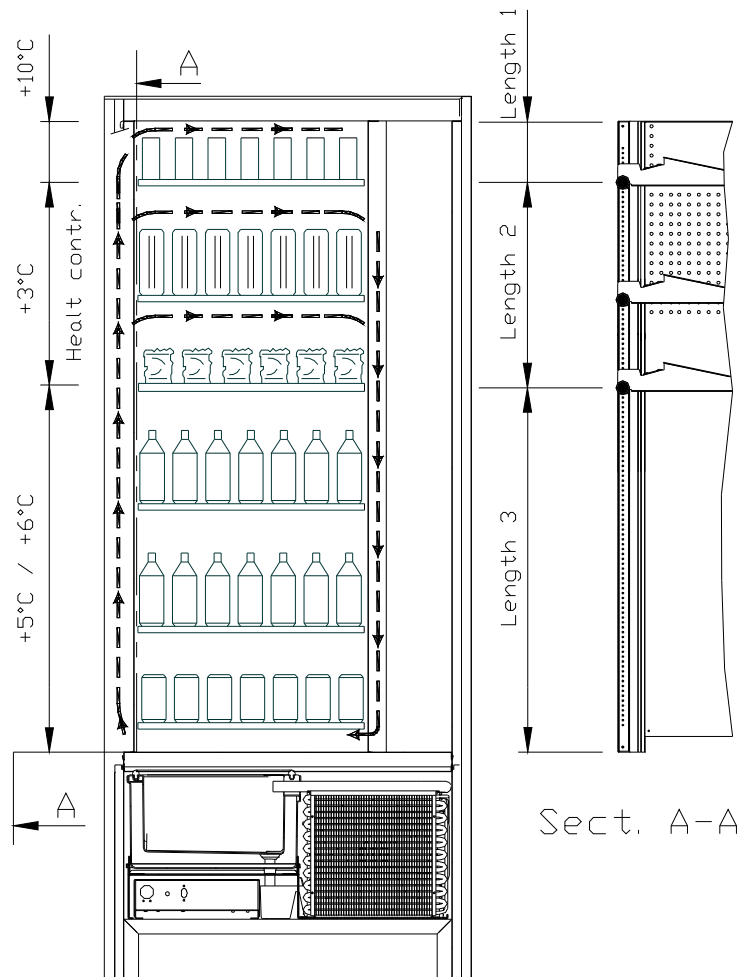
- La **zone des tiroirs supérieurs** où la température est échelonnée entre +9 et +14 °C, cette zone est idéale pour les produits à longue conservation.
- La **zone des tiroirs inférieurs** où la température peut être programmée à +3 °C pour permettre une parfaite conservation des substances qui risquent de se dégrader à des températures plus hautes. Conformément aux normes HACCP (Hazard Analysis Critical Control Point), cette zone est équipée d'un dispositif de contrôle, appelé « sécurité frigo », qui interdit la vente du produit si la température susceptible de détériorer le produit est dépassée.

Les deux zones sont séparées l'une de l'autre par un panneau isolant.

YOUNG 183 3T (chaque produit est conservé à une température optimale).

YOUNG 3T permet, grâce à un système électronique, d'avoir trois zones de températures différentes, notamment :

- La **zone du tiroir supérieur** où la température est d'environ $+10\text{ °C}$ et est idéale pour les produits à longue conservation.
- La **zone des tiroirs centraux** où la température peut être programmée à $+3\text{ °C}$ pour permettre une parfaite conservation des substances alimentaires qui risquent de se dégrader à des températures plus hautes. Conformément aux normes HACCP (Hazard Analysis Critical Control Point), cette zone est équipée d'un dispositif de contrôle, appelé « sécurité frigo », qui interdit la vente du produit si la température susceptible de détériorer le produit est dépassée.
- La **zone des tiroirs inférieurs** où la température est d'environ $+6\text{ °C}$ et est idéale pour les boissons et/ou produits à longue conservation.



4 COMPOSANTS DE LA PORTE

- 1 **Écran** : L'écran affiche la somme totale des monnaies introduites et la référence de la sélection, le prix de la sélection et tous les messages de fonctionnement. En cas de panne du distributeur, l'écran affiche le numéro d'alarme en cours.
- 2 **Bouton de remboursement** : il sert à débloquer les monnaies coincées dans le monnayeur et à les récupérer dans le bac prévu à cet effet.
- 3 **Fente d'introduction des pièces de monnaie** : elle est utilisée par le client pour introduire la somme nécessaire pour l'achat du produit.
- 4 **Clavier de sélection**: le clavier est constitué par une série d'interrupteurs définis par des lettres et des nombres. Pour la sélection composer le numéro correspondant au produit désiré.
- 5 **Portillon de prélèvement** : il est utilisé par le client pour retirer le produit qu'il a acheté.
- 6 **Récipient de récupération des pièces de monnaie** : situé sur la partie inférieure, il est utilisé pour donner le reste.
- 7 **Serrure de la porte**
- 8 **Couvre jambes**.

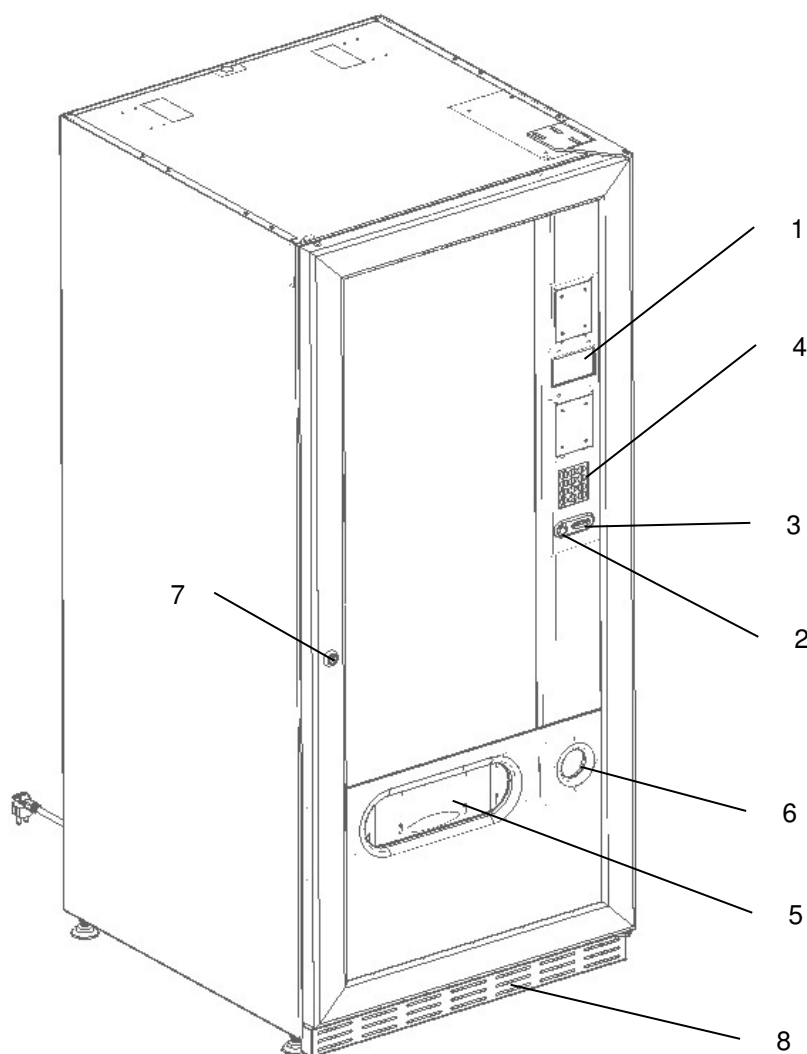


fig. 1

5 COMPOSANTS INTERNES

- 1 **Carte principale** : elle est située dans le compartiment du monnayeur et a pour but de gérer les différentes fonctions du distributeur.
- 2 **Groupe de réfrigération** : il est situé dans la partie inférieure de la caisse, derrière la poche de prélèvement et a pour but de maintenir la température paramétrée à l'intérieur du distributeur.
- 3 **Panneau électrique** : le panneau électrique, situé dans la partie inférieure de la caisse, derrière la poche de prélèvement, contient toutes les connexions électriques, ainsi que la carte de puissance et les fusibles.
- 4 **Micro-interrupteur de la porte** : envoie l'information « porte ouverte » à la carte.
- 5 **Boîte à monnaie**.
- 6 **BARRE D’AFFICHAGE DES PRIX** : un bandeau rétroéclairé qui affiche de manière bien compréhensible, au niveau du produit, le prix et le numéro de sélection. (si présent)

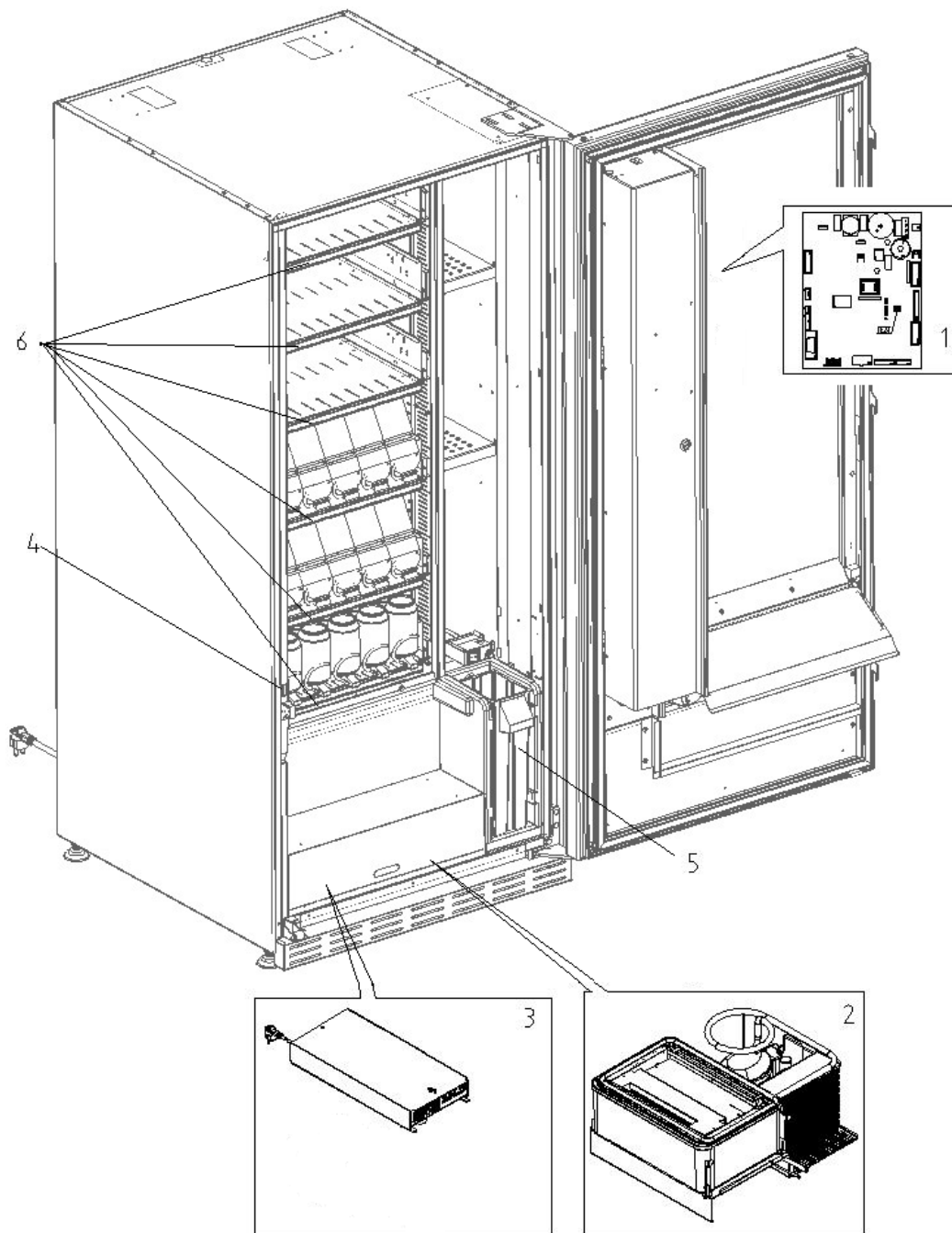


fig. 2

6 TRANSPORT, MANUTENTION, STOCKAGE ET DÉBALLAGE



Si on constate des dommages sur le distributeur, on doit les déclarer rapidement au transporteur.

6.1 TRANSPORT ET STOCKAGE

Pour ne pas endommager le distributeur, on doit effectuer les opérations de chargement/déchargement avec un soin particulier.

Les opérations de chargement/déchargement doivent être effectuées en soulevant le distributeur au moyen d'un chariot élévateur, motorisé ou manuel, en positionnant les fourches dans la partie inférieure de la palette.

Les déplacements brefs, comme par exemple à l'intérieur d'un atelier ou d'un bureau, peuvent être effectués sans utiliser la palette, en veillant à ne pas endommager le distributeur. Il est toujours **interdit** de :

- Renverser le distributeur;
- Traîner le distributeur avec des câbles ou semblables;
- Soulever le distributeur avec les prises latérales;
- Soulever le distributeur avec toute sorte d'élingue ou câble;
- Secouer ou donner des violentes secousses au distributeur et à son emballage.



Il est vivement déconseillé de coucher le distributeur pour éviter que l'huile contenue dans le compresseur ne sorte du logement prévu pour garantir une bonne lubrification de l'appareil et pour éviter ainsi toute rupture au démarrage. Si le distributeur est tout de même renversé, il faudra le placer dans un endroit où la température ne soit pas inférieure à 18 °C. Avant de le remettre en marche, il faudra attendre au moins 2 heures.

Pour ce qui concerne le stockage des machines, l'ambiance de conservation doit être bien sèche avec des températures entre 0 °C et +40 °C.

Après avoir placé la machine dans un endroit bien abrité, il faudra la couvrir et la bloquer, afin d'éviter tout possible déplacement ou coup accidentel. Il est **interdit** de superposer plusieurs machines emballées et de la maintenir en position verticale indiquée par les flèches sur l'emballage en question.

6.2 DÉBALLAGE

Les éléments d'emballage devront être enlevés avec soin pour ne pas endommager le distributeur. Contrôler l'intérieur et l'extérieur de la caisse pour estimer les dommages éventuels. Ne pas détruire les matériaux d'emballage aussi longtemps que le représentant du transporteur ne les a pas examinés.



Ne pas oublier d'enlever les éléments de déballage ou les équipements étant à l'intérieur du distributeur automatique qui pourraient autrement empêcher le bon fonctionnement de la machine.

Pour enlever la machine de la palette, il suffit de dévisser les 4 vis à tête hexagonale fixant la base du distributeur à la palette : 2 vis sont placées à l'arrière du distributeur et 2 à l'avant et elles sont accessibles en ouvrant la porte.

Pour assurer une parfaite circulation d'air du groupe de réfrigération, remonter les étriers arrière qui fixent le distributeur à la palette en les retournant.



Les matériaux d'emballage doivent être mis au rebut en respectant l'environnement et les lois en vigueur.



Soulever le distributeur automatique en s'assurant que les pieds de soutien sortent de la palette.

6.3 INSTALLATION

Le distributeur doit être placé sur une zone aérée ou pouvant être aérée (plancher, soupente) capable de supporter son poids.



L'appareil n'est pas conçu pour être installé à l'extérieur, il ne doit pas être exposé aux rayons directs du soleil ou placé dans un endroit où l'on utilise des jets d'eau. L'appareil peut être installé dans des lieux où la température ambiante est comprise entre 3 °C et 32 °C.

Vérifier si la capacité électrique de l'installation est indiquée pour la puissance maximale du distributeur indiquée sur la plaque. En cas de doute, s'adresser à du personnel ayant la qualification professionnelle nécessaire. Le personnel en question devra notamment s'assurer que la section des câbles de l'installation est appropriée à la puissance absorbée par le distributeur.



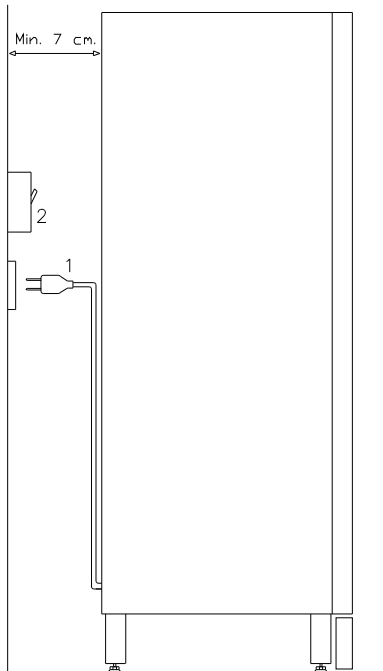
Les indications suivantes sont valables uniquement pour le Royaume-Uni.

Les couleurs des câbles dans le conducteur sont les suivantes :
VERT ET JAUNE - MASSE ---- BLEU : NEUTRE ---- MARRON : PHASE
 Puisque les couleurs des fils de cet appareil pourraient être différentes par rapport à celles marquées sur les bornes de votre prise, il faudra procéder de la façon suivante :
 Le fil VERT et JAUNE doit être branché avec la borne de la prise marquée par la lettre E ou par le symbole de masse ou coloré en VERT ou VERT et JAUNE. Le fil BLEU doit être raccordé à la borne de la prise marquée par la lettre N ou coloré en NOIR ou en BLEU. Le fil MARRON doit être raccordé à la borne de la prise marquée par la lettre L ou coloré en ROUGE ou en MARRON.



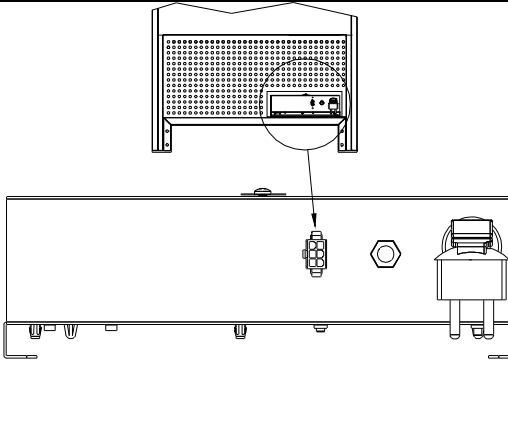
Le fabricant décline toute responsabilité pour les dommages causés par le non-respect des précautions indiquées ci-dessus.

- Une fois branché, le distributeur doit être placé contre un mur à une distance minimale de 7 cm, afin de permettre une bonne ventilation.
- Après avoir placé le distributeur au sol, régler les quatre pieds de façon à ce que le distributeur automatique soit en position parfaitement horizontale. Tous les pieds doivent toucher le sol.
- Monter le couvre-pieds sur la partie inférieure avant.
- Veiller à ce que le couvre-pieds avant et les grilles derrière et sous le groupe de réfrigération soient toujours propres et ne présentent pas d'obstructions.



Description des branchements :

- 1 Prise « Schuko »
- 2 Interrupteur magnétothermique différentiel

	<p>CONNEXION MASTER / SLAVE</p> <p>Sur la machine MASTER il est possible de brancher une machine SLAVE. L'opération se fait au moyen d'un câble série et le connecteur est placé à l'arrière de la machine. Il est également possible de brancher une Stand-Along en modalité Slave, voir commande 49.</p> <p>En présence d'un distributeur SLAVE, il faut le connecter à un distributeur Master pour son bon fonctionnement. En effet, tous les paramètres de fonctionnement sont réglables uniquement à l'aide des commandes de la machine master. En particulier, la température pour la conservation des produits périssables n'est garantie que si la machine Slave est connectée à une machine Master réglée avec les paramètres de programmation corrects.</p>
---	--

- Pour la mise en marche de la machine, suivre les opérations ci-après. Brancher le câble d'alimentation. Si le message « MEMORY CLEARED » apparaît à l'écran, appuyer sur le bouton placé sur la carte principale à l'intérieur du box monnayeur pour mettre la mémoire à l'état initial. Sur l'écran paraîtra le message « PORTE OUVERTE ». Le distributeur exécutera automatiquement un autotest. Si aucune erreur n'est identifiée, la machine sera prête à l'emploi.
- Programmer la machine (voir chap. « PROGRAMMATION »), introduire les PARAMÈTRES GR. DE RÉFRIGÉRATION (voir paragraphe correspondant) en tenant compte des produits alimentaires contenus dans le distributeur et paramétrer les prix.
- Si le distributeur est muni d'un monnayeur rendeur de monnaie, introduire dans les tubes les pièces de monnaie correspondantes.
- Charger les produits dans la machine (voir paragraphe « Chargement des produits »).

6.4 AVERTISSEMENTS POUR L'INSTALLATION

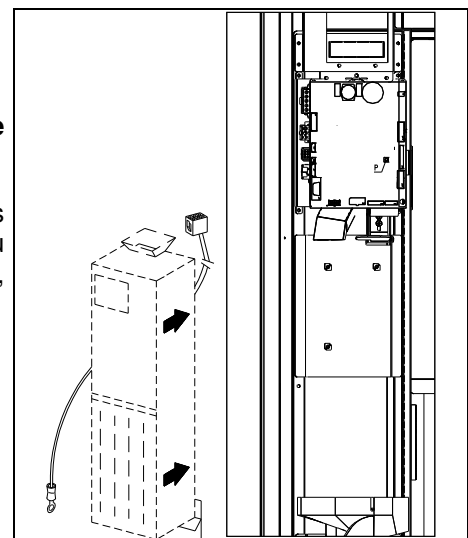
La machine est vendue sans système de paiement. Par conséquent, tout dommage à la machine, aux personnes ou aux choses résultant d'une mauvaise installation du système de paiement est exclusivement à la charge de celui qui en a effectué l'installation.

6.5 RACCORDEMENT AU SYSTÈME DE PAIEMENT

La connexion et la déconnexion du monnayeur doivent être effectuées lorsque la machine est éteinte.


Sur le côté de la carte principale sont présents les connecteurs destinés au branchement du monnayeur. Le distributeur est conçu pour des systèmes de paiement avec protocoles « EXECUTIVE », « MDB » et « BDV ».

- Fixer le monnayeur sur le support, en le plaçant entre les pivots.
- Brancher les connecteurs du monnayeur à la machine.
- Régler le conduit d'introduction des pièces de monnaie sur l'entrée du monnayeur.
- Régler les leviers de commande du bouton de remboursement.



7 AVERTISSEMENT POUR LA DÉMOLITION DE LA MACHINE

Au cas où la machine serait démontée pour être définitivement démolie, il est obligatoire de respecter les lois en vigueur pour la protection de l'environnement. Tous les matériaux ferreux, en plastique ou autres doivent être confiés à des dépôts autorisés. En particulier, il faut faire attention :

	<p>Aux gaz du groupe de réfrigération qui, de quelque type que ce soit (voir plaque d'identification), doivent être récupérés avec un équipement spécial par des entreprises spécialisées.</p> <p>Aux matériaux d'isolation qui doivent être récupérés par des entreprises spécialisées.</p>
---	--

En cas de doute, il est conseillé de demander des informations aux autorités locales responsables de l'élimination des déchets.

8 INTERVENTIONS SUR LE DISTRIBUTEUR

8.1 CHARGEMENT DES PRODUITS

Après avoir mis en marche le distributeur et effectué sa programmation, agir comme suit :

- 1) Ouvrir la porte.
- 2) Ôter un tiroir à la fois en le saisissant par la partie inférieure et en tirant vers l'extérieur jusqu'à trouver le point d'arrêt. Le tiroir s'inclinera vers le bas en facilitant ainsi le chargement.
- 3) Commencer le chargement du devant vers l'intérieur, en s'assurant que tous les espaces sont occupés. Le dos du produit doit être placé vers le fond du compartiment, juste au-dessus de la spire, l'étiquette tournée vers la vitrine, de sorte qu'elle soit reconnaissable par le client. Les produits doivent s'introduire aisément entre les spires, ne jamais mettre d'objets plus grands. Les spirales peuvent avoir des pas différents, et donc il faut choisir la spirale indiquée pour le produit qu'on veut vendre ou, au contraire, choisir le produit selon les spirales disponibles.
- 4) Achever le chargement de tous les tiroirs, s'assurer que les tiroirs retournent à la position de « VEILLE »; Chaque spirale peut être tournée de 45 degrés chaque fois. On vend la plupart des produits sans problèmes quand l'extrémité de la spirale est positionnée à 6 heures (dans le sens des aiguilles d'une montre). Pour les produits en briques régulières, l'extrémité 90 degrés en avance.

REMARQUES : Les produits en sachet ou en boîte s'ils ne sont pas positionnés correctement peuvent créer des problèmes. Le bord cacheté du sachet peut s'engager sous le fil de la spirale en empêchant sa chute. Il est recommandé de replier en avant et en haut le sachet avant de l'introduire dans l'espace de la spirale. Lorsqu'on charge des produits, par exemple petits gâteaux, biscuits, articles « fragiles », ils doivent être positionnés dans les tiroirs du bas, de sorte qu'ils ne s'endommagent pas dans la chute.

8.1.1 INSTRUCTIONS POUR LE CHARGEMENT DES PRODUITS

Vérifier la configuration de votre distributeur automatique au chapitre CARACTÉRISTIQUES TECHNIQUES, afin d'identifier avec précision la zone où le dispositif de contrôle « sécurité frigo » est monté.

Lors de la phase de premier allumage attendre que la machine atteigne la température de régime prévue, environ 12 heures d'attente. Vérifier quoi qu'il en soit que la température interne de la machine soit inférieure à 4 °C avant d'introduire les produits réfrigérés (voir Commande 66 et Commande 67).

En cas d'intervention de la « sécurité frigo », les produits des sélections hors service devront être éliminés ; dans ce cas aussi au rallumage il est nécessaire d'attendre que la machine atteigne la température de régime prévue avant d'introduire les nouveaux produits réfrigérés.

Les délais sûrs pour les produits réfrigérés peuvent être atteints uniquement si l'intervalle de temps total d'ouverture de la porte ne dépasse pas 15 minutes. Il est donc recommandé d'effectuer toutes les interventions dans un laps de temps le plus court possible.

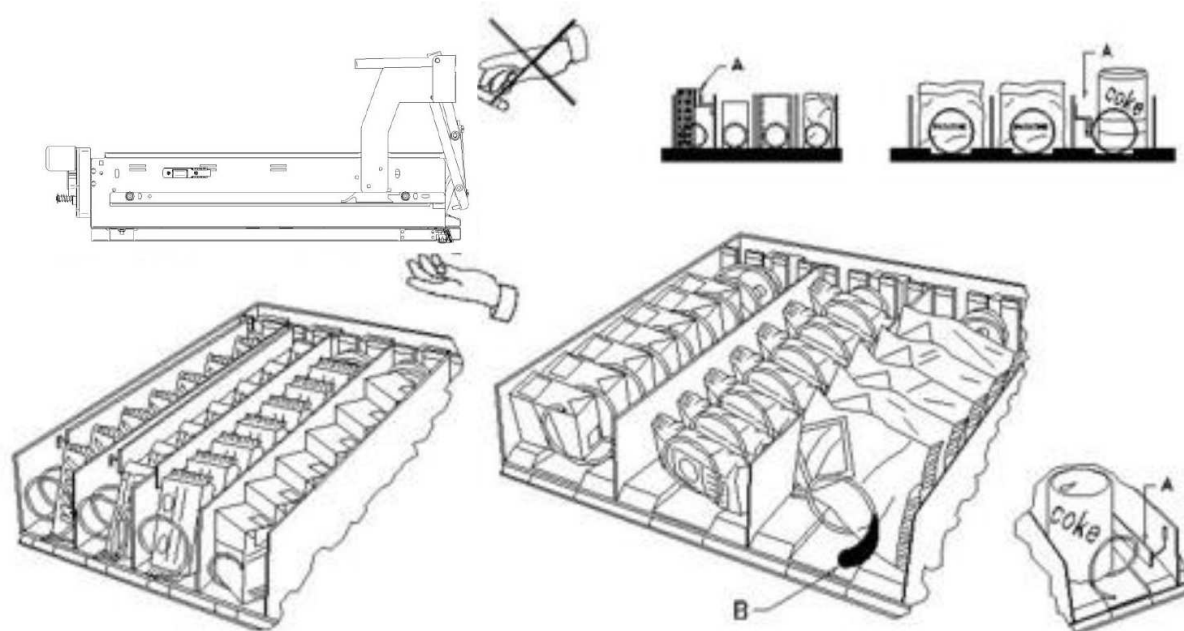


fig. 3

8.2 ENTRETOISES POUR PRODUITS DANS LES TIROIRS (fig. 3)

Les entretoises «A» sont fournies pour être utilisées lorsqu'on doit charger des produits « étroits ». Placez-les de sorte qu'elles arrivent à contenir le produit assez librement vers la partie droite du secteur, et qu'il reste bien droit.

Pour régler l'entretoise tirer en avant pour réduire l'espace et pousser en arrière pour l'augmenter, laisser 3 mm entre l'entretoise et le produit.

8.3 ÉJECTEUR POUR PRODUITS (fig. 3)

L'éjecteur -B- peut être employé lorsqu'il y a des produits ensachés comme par exemple des frites ou des produits similaires. L'éjecteur les aide à sortir de la spirale. On l'accroche au fil de l'extrémité de la spirale et il agit comme une extension pour le produit en vente et il le pousse, ultérieurement, hors du tiroir.

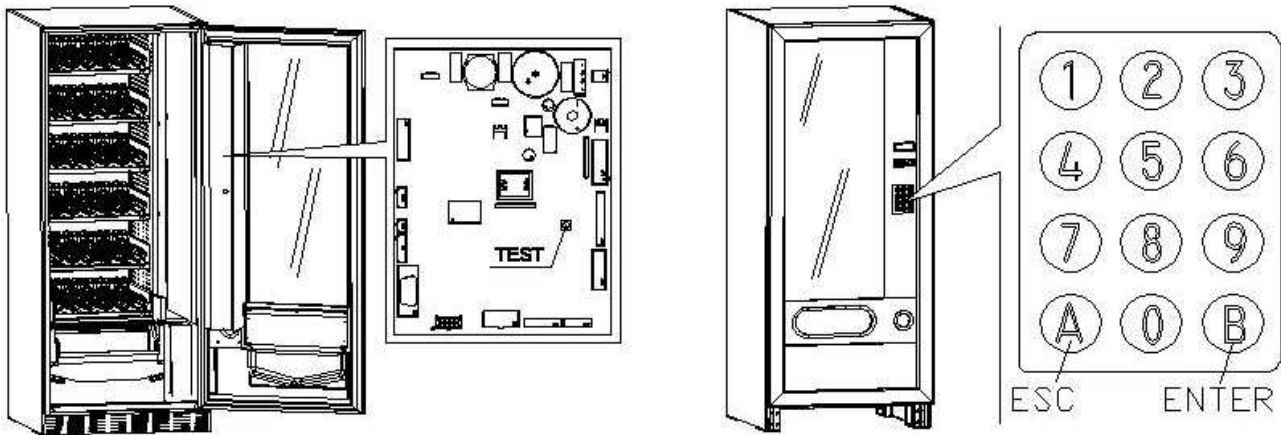
8.4 PROCÉDURE DE VENTE D'UN PRODUIT

Après avoir chargé le distributeur avec les produits choisis et en avoir déterminé le prix de vente, après avoir positionné les panneaux des prix, et contrôlé que les tiroirs sont replacés dans la position de vente, le distributeur est prêt à fonctionner.

- 1) Introduire l'argent.
- 2) Composer sur le clavier la combinaison qui correspond au produit choisi.
- 3) Prélever le produit.

9 CLAVIER DES FONCTIONS/DE PROGRAMMATION

Une fois la procédure d'installation effectuée, ouvrir le volet et maintenir le bouton « TEST » de la carte principale enfoncé pendant environ 3 secondes jusqu'à l'émission d'un son prolongé. Cela signifie que l'on est entré en mode programmation et l'écran affichera « **Commande 00** ».



À partir de ce menu principal, il est possible d'accéder directement à certaines données ou à d'autres menus secondaires. Taper sur le **Tableau de commande à sélection directe**, la commande désirée et appuyer sur **la touche B (ENTER)** pour confirmer la sélection effectuée.

La touche **B** permet également de confirmer les données introduites au moyen du clavier et de les mémoriser, dans ce cas l'écran affiche pendant quelques secondes le message « **OK** ». Pour quitter la programmation ou pour passer d'un menu secondaire au menu principal il suffit d'appuyer sur la **touche A (ESC)**.

Attention, si le bouton « TEST » est relâché avant le temps nécessaire, le distributeur entre en modalité « vérification de sélections » décrite par la suite. Dans ce cas, il faut sortir de cette modalité, en appuyant à nouveau sur le bouton « TEST », puis répéter les opérations pour l'entrée en programmation.

À chaque ouverture de la porte, l'écran affiche les sélections éventuellement hors service ou qui ne sont pas en « home position » dans la mesure où elles ont effectué le quart de tour (voir Commande 76). Les sélections peuvent être rétablies (en les faisant tourner) en appuyant sur la touche « B ». Si l'on ferme la porte sans avoir préalablement rétabli toutes les sélections, l'événement est enregistré comme une erreur affichée à la Commande 99 avec le code 91.

ATTENTION : la rotation pour le rétablissement des sélections pourrait provoquer la chute du produit par terre si l'opération est effectuée avec la porte ouverte.

Remarque : lorsque la connexion SPIRALI SLAVE est habilitée (voir commande 49), après l'affichage de la machine MASTER, il est possible, en appuyant sur le bouton A (ESC), d'accéder à l'affichage des mêmes données relatives à la machine SLAVE.

9.1 VÉRIFICATION DE SÉLECTIONS

Il est possible d'effectuer également un essai de fonctionnalité du distributeur, et dans ce but, il faut appuyer sur le bouton de test situé sur la fiche principale, le message '**SÉLECTIONS OK**' apparaîtra à l'écran. Autrement pourra s'afficher un indicateur (par ex. 12, 14...) qui indique que pendant le fonctionnement s'est produit une anomalie et que la spirale ont été mis hors service. Pour le rétablissement, resélectionner la spirale. Si pendant l'essai, une erreur de fonctionnement se produit, le display affichera le même indicateur de spirale, autrement on passera à la sélection hors service suivante.. Si toutes les sélections sont correctes, le message correspondant apparaîtra à l'écran. Lors de cette phase, il est possible de tester toutes les sélections en tapant l'identifiant correspondant. À la fin du test, pour revenir au fonctionnement normal, il suffit d'appuyer à nouveau sur le bouton test situé sur la fiche principale.

Remarque Pour éviter de possibles erreurs, la machine revient automatiquement en fonctionnement normal après environ 1 minute, pendant laquelle aucune opération n'est effectuée, à compter de l'entrée en modalité test.

Si pendant l'essai ou le rétablissement, se vérifient à plusieurs reprises des erreurs, cela signifie que l'anomalie n'est pas occasionnelle mais qu'elle peut être le résultat d'une rupture d'un élément ce qui nécessite une intervention technique.

9.2 LISTE DES COMMANDES POUR LA PROGRAMMATION

ACCÈS AUX SOUS-MENUS

Commande 01	Test machine
Commande 02	Demande sous-menu horloge, timers journaliers
Commande 03	Rappel du sous-menu paramétrage des prix
Commande 04	Demande sous-menu d'entrée des prix avec remise
Commande 05	Rappel du sous-menu paramétrage des correspondances des prix
Commande 06	Paramétrage code produit
Commande 07	Affichage des ventes des sélections prix plein
Commande 08	Visualisation ventes par sélection prix remisé
Commande 09	Visualisation des totaux qui ne peuvent pas être mis à zéro
Commande 10	Visualisation des totaux qui peuvent être mis à zéro
Commande 11	Paramétrage des séquences de sélection
Commande 15	Menus en chaîne
Commande 25	Activation du moteur du rendement de monnaie et du micro-interrupteur d'introduction des monnaies
Commande 26	Activation du dispositif anti-mineurs (si présent)

COMMANDES 27÷39

Modalité EXECUTIVE	<i>voir paragraphe: UTILISATION DES SYSTÈMES DE PAIEMENT EXECUTIVE STD/EXECUTIVE PRICE HOLDING.</i>
Modalité BDV	<i>voir paragraphe BDV.</i>
Modalité MDB	<i>voir paragraphe MDB.</i>

ENTRÉE DES PARAMÈTRES DU GROUPE FRIGORIFIQUE

Commande 40	Activation du double vitrage chauffant et choix du groupe frigorifique sur MASTER et SLAVE
Commande 41	Entrée de la température interne
Commande 43	Programmation température fin dégivrage
Commande 44	Entrée intervalle dégivrage
Commande 45	Paramétrage du temps d'exclusion de la sécurité frigo
Commande 46	Paramétrage de la température sécurité frigo
Commande 48	Paramétrage des tiroirs avec sécurité frigo

ENTRÉE DES PARAMÈTRES DE LA MACHINE

Commande 49	Activation/Désactivation des spirales slave
Commande 50	Configuration de la machine (nombre de sélections/tiroir à pousseurs/délai d'actionnement)
Commande 55	Multifonction d'activation barres d'affichage des prix (si présent)
Commande 56	Options pour le fonctionnement des barres d'affichage des prix (si présent)
Commande 58	Activation de la modalité confirmer sélection ou présélection
Commande 59	Compteur de coups
Commande 60	Effacement mémoire
Commande 61	Remise à zéro security/access code
Commande 62	Activation réduction
Commande 63	Paramétrage mono/multivente et option crédit en excès
Commande 64	Entrée de la langue de visualisation des messages
Commande 66-67	Affichage des températures internes et de l'évaporateur
Commande 68	Paramétrage description devise affichée
Commande 69	Réglage système de paiement
Commande 70	Option fonctionnement signalisation sonore/fond de l'affichage Graphique
Commande 73	Activation cellules photoélectriques
Commande 74	Test photocellules
Commande 75	Paramétrage des valeurs de fonctionnement de la barrière à photocellules
Commande 76	Options de fonctionnement du système («options FTC»)
Commande 80	Menu gestion USB
Commande 85	Affichage de la somme de contrôle (checksum) et de la version du logiciel de la carte mère (main) et alimentation (power).

Commande 88	Activation du chauffage des produits sur MODULE WAVE (si présent)
Commande 90	Sélection du protocole d'AUDIT / habilitation télémetrie /suppression des données intermédiaires
Commande 91	Introduction des données d'identification de la machine
Commande 92	Remise à zéro des données de vente
Commande 95	Réglage des fonctions d'affichage de l'écran (boîte de message utilisateur/ diaporama interne/diaporama USB)
Commande 99	Accès au menu d'affichage des événements

9.2.1 ACCÈS AUX SOUS-MENUS

Commande 01 Test machine:

Cette commande est utilisée pour effectuer le test des sélections. En tapant 01 suivi de la touche B, le message «Sélection n°00» apparaît, régler le nombre de sélections présentes dans la machine (nombre de moteurs) et appuyer sur B. La machine vérifiera les sélections effectivement disponibles (Test 12). Si le résultat sera différent par rapport à la valeur programmée, sur le display paraîtra le message " CONFIG ERROR". Cela signifie que une ou plusieurs sélections ne sont pas branchées électriquement et il faudra donc vérifier les câblages. Si, au contraire, le nombre des sélections disponibles est conforme à la valeur programmée, la machine effectuera trois cycles de distribution pour chaque sélection. Si, pendant cette phase, le fonctionnement d'une sélection quelconque manifeste des anomalies, le test sera interrompu et sur le display le code de sélection correspondant restera affiché. Si le test se termine sans problèmes, le distributeur reviendra au menu principal de la programmation. (commande 00).

Commande 02 Demande sous-menu horloge, timers journaliers:

Inscrire 02 et appuyer sur ENTER, sur l'affichage apparaît le menu et les options suivantes sont disponibles :

1. **Date/heure**
2. **Minuterie hebdomadaires**
3. **Options d'éclairage**

1. Date/heure :

Cette commande permet le réglage de l'horloge de la carte VMC, date ; heure et jour de la semaine (la date est au format année/mois/jour YYMMDD).

Elle permet également de régler les options d'affichage de l'horloge dans la cinquième ligne de l'écran).

2. Minuterie hebdomadaires :

Via cette option, vous accédez au sous-menu de réglage des minuterie hebdomadaires qui offre les options suivantes :

1. **Économie d'énergie**
2. **Réduction pour plages horaires**
3. **Désactivation de la machine / des sélections**

1. Le premier paramètre est l'activation/désactivation (1/0) de l'option « économie d'énergie ». Lors de l'activation de cette option qui correspond à une minuterie hebdomadaire, la machine vous demande de sélectionner le jour ; cette sélection est effectuée en parcourant les options avec une touche numérique quelconque et en confirmant la sélection en appuyant sur la touche « B ». Vous pouvez alors programmer 3 périodes d'activation/de désactivation au cours de la journée.

Ensuite, vous avez le choix entre trois options : 1. Recopier les tranches horaires programmées pour les appliquer au jour suivant ; 2. Recopier les tranches horaires pour les appliquer à tous les jours de la semaine ; 3. Modifier les tranches horaires pour le même jour.

2. Le premier paramètre est l'activation/désactivation (1/0) de l'option « réductions par tranches horaires ». Une fois cette option activée, suivre la séquence décrite au point précédent.

3. Ici encore, le premier paramètre est l'activation/désactivation (1/0) de l'option « désactivation de la machine / des sélections ». Une fois cette option activée, suivre la séquence décrite au point 1.

Ensuite, vous pouvez programmer la désactivation de toute la machine ou la désactivation partielle ; ce dernier cas nécessite le réglage des sélections auxquelles vous souhaitez appliquer la désactivation.

3. Options d'éclairage

Cette commande permet de paramétrer l'extinction complète = 0 ou de réduire la luminosité = 1 de l'éclairage pendant les tranches horaires à consommation réduite d'énergie (voir Alarme 11). Le système demande ensuite l'option d'extinction des LED avec la porte ouverte, 1 = activée, 0 = non activée.

Commande 03 Rappel du sous-menu paramétrage des prix (vous voyez également la Commande 69):

Taper 03 et appuyer sur **ENTER**, cette action permet de rappeler le sous-menu de paramétrage des prix pour sélection et l'écran affiche « **Sélection numéro 0** ».

Introduire le numéro de la sélection dont on désire afficher ou modifier le prix et appuyer sur **ENTER**. L'écran affiche '**Prix.....**', introduire alors la nouvelle valeur du prix et appuyer à nouveau sur **ENTER** pour la mémoriser ou bien appuyer sur la touche **ESC** pour revenir au menu principal sans effectuer aucune modification.

Pour paramétrer le prix de la sélection 6 à 1,20 € procéder de la manière suivante :

- Mode de programmation, l'écran affiche..... Commande 0
- Introduire 03 et appuyer sur ENTER, l'écran affiche..... Sélection numéro 0
- Introduire 6 et appuyer sur ENTER l'écran affiche la valeur actuelle du prix Prix N
- Paramétrer la valeur 120 et appuyer sur ENTER.

En alternative, il est possible de programmer les prix par tiroir : la sélection 91 implique que toutes les sélections du premier tiroir en haut, aient le même prix paramétré. Sélection 92 = 2ème tiroir ; 93 = 3ème tiroir ; 94 = 4ème tiroir ; 95 = 5ème tiroir ; 96 = 6ème tiroir ; 97 = 7ème tiroir. En programmant le prix à la sélection 99, les prix de toutes les sélections du distributeur prennent la valeur paramétrée.

La programmation de la valeur des prix pleins modifie la valeur du prix réduit correspondant en les égalisant. Par conséquent pour vendre à des prix différenciés, à savoir avec une réduction, il est avant tout nécessaire de programmer le prix plein et ensuite le prix réduit et jamais dans le sens inverse ou seulement un seul des deux prix.

Remarque : lorsque la connexion SPIRALI SLAVE est habilitée (voir commande 49), après avoir paramétré la machine MASTER, il est possible, en appuyant sur le bouton ESC, d'accéder à la programmation des mêmes paramètres relatifs à la machine SLAVE.

Commande 04 Demande sous-menu d'entrée des prix avec remise:

Cette commande a les mêmes fonctions que la commande 03, mais permet d'entrer les prix remisés.

En mode de fonctionnement MDB ces prix se rapportent à l'achat au moyen de clef ou bien de carte de crédit ou aux opérations d'achat pendant certaines tranches horaires ou à toutes les deux solutions, voir à ce propos la description de la commande 61. Si le système cashless MDB permet de choisir deux types de tableaux des prix que l'on peut appliquer au produit, en utilisant cette commande on programme les prix du tableau 2; les prix du tableau 1 peuvent être programmés à l'aide de la commande 03.

En alternative, il est possible de programmer les prix par tiroir : la sélection 91 implique que toutes les sélections du premier tiroir en haut, aient le même prix paramétré. Sélection 92 = 2ème tiroir ; 93 = 3ème tiroir ; 94 = 4ème tiroir ; 95 = 5ème tiroir ; 96 = 6ème tiroir ; 97 = 7ème tiroir. En programmant le prix à la sélection 99, les prix de toutes les sélections du distributeur prennent la valeur paramétrée.

Remarque : lorsque la connexion SPIRALI SLAVE est habilitée (voir commande 49), après avoir paramétré la machine MASTER, il est possible, en appuyant sur le bouton ESC, d'accéder à la programmation des mêmes paramètres relatifs à la machine SLAVE.

Commande 05 Rappel du sous-menu paramétrage des correspondances des prix :

Cette commande s'utilise exclusivement lors du paramétrage des prix sur le monnayeur.

Introduire 05 et appuyer sur ENTER, on accède ainsi au sous-menu de paramétrage des correspondances des prix et l'écran affiche '**Sélection numéro 0**'. Ce sous-menu permet d'associer un numéro de prix à chaque sélection. Introduire le code correspondant à la sélection et appuyer sur ENTER, l'écran affiche le **numéro** du prix associé à la sélection choisie, introduire le **numéro** du nouveau prix que l'on désire associer à la sélection et appuyer sur ENTER pour le mémoriser ou bien sur ESC pour revenir au sous-menu sans changer la valeur précédente. Répéter ensuite la procédure pour une autre sélection ou bien revenir au menu principal en appuyant sur le bouton ESC.

Si par exemple on désire associer le prix numéro 8 à la sélection 6 il suffit de suivre la procédure suivante :

- Mode de programmation, l'écran affiche..... Commande 0
- Introduire 05 et appuyer sur ENTER, l'écran affiche..... Sélec. numéro 0
- Introduire 6 et appuyer sur ENTER, l'écran affiche la valeur actuelle du paramètre num. prix
- Introduire 8 et appuyer sur ENTER.

Commande 06 Paramétrage code produit :

Cette commande permet d'associer à chaque sélection un code produit à 4 chiffres. Ce code sera ensuite envoyé sur la sortie RS232 avec les statistiques de vente.

Remarque : lorsque la connexion SPIRALI SLAVE est habilitée (voir commande 49), après avoir paramétré la machine MASTER, il est possible, en appuyant sur le bouton ESC, d'accéder à la programmation des mêmes paramètres relatifs à la machine SLAVE.

Commande 07 Affichage des ventes des sélections prix plein :

Cette commande permet d'accéder au sous-menu d'affichage du nombre de ventes d'une sélection donnée, l'écran affiche 'Sélection numéro 0'. Introduire le code correspondant à la sélection dont on désire connaître les données de vente.

Puis en appuyant sur la touche ENTER l'écran affiche la valeur demandée. Appuyant sur la touche A on revient au sous-menu où, en répétant la même procédure, on peut visualiser le nombre des ventes relatif à une autre sélection ou bien revenir au menu principal appuyant une autre fois sur la touche ESC.

Remarque : lorsque la connexion SPIRALI SLAVE est habilitée (voir commande 49), après l'affichage de la machine MASTER, il est possible, en appuyant sur le bouton ESC, d'accéder à l'affichage des mêmes données relatives à la machine SLAVE.

Commande 08 Visualisation ventes par sélection prix remisé:

Avec cette commande on entre dans le sous-menu visualisation nombre de ventes par sélection à prix remisé, sur le display s'affiche 'Sélection numéro 0'. Inscrire le code qui identifie la sélection dont on veut connaître les données de vente et appuyer sur la touche ENTER, sur le display s'affiche la valeur désirée. Appuyant sur la touche A on revient au sous-menu où, en répétant la même procédure, on peut visualiser le nombre des ventes relatif à une autre sélection ou bien revenir au menu principal appuyant une autre fois sur la touche ESC.

Remarque : lorsque la connexion SPIRALI SLAVE est habilitée (voir commande 49), après l'affichage de la machine MASTER, il est possible, en appuyant sur le bouton ESC, d'accéder à l'affichage des mêmes données relatives à la machine SLAVE.

Commande 09 Visualisation des totaux qui ne peuvent pas être mis à zéro :

Avec cette commande on accède à la visualisation des totaux relatifs aux transactions effectuées depuis l'initialisation du distributeur. Les données à disposition sont par exemple:

Total vendu, tot. en caisse, tot. dans les tubes vendeurs, tot. billets de banque, tot. rendu, tot. rendu manuellement par les tubes vendeurs, tot. surpayé encaissé, tot. ventes remisées, tot. ventes avec système cash less, tot. vendu en conditions de montant exacte, tot. encaissé sans ventes, nombre total ventes effectuées, valeur globale des ventes libres, numéro total des ventes libres.

Commande 10 Visualisation des totaux qui peuvent être mis à zéro :

Cette commande a les mêmes fonctions que la commande 09, mais cette commande peut être mise au zéro par la commande 92.

Commande 11 Paramétrage des séquences de sélection:

La fonction de cette commande est celle de paramétrer les distributions des produits du même genre de manière à obtenir un vidage uniforme et progressif à partir du tiroir, indépendamment du choix effectué par le client.

Initialement la commande requiert l'habilitation (option 1) ou non habilitation (option 0) de la fonction.

Si l'option est habilitée (1) le système requiert l'introduction de la première sélection qui forme la séquence, suivie par la demande d'attribution du code produit et par l'attribution du prix. Confirmer à chaque fois en appuyant sur ENTER. Ajouter les autres sélections faisant partie de la même séquence. Appuyer sur ESC pour conclure et confirmer la première séquence. Il est alors possible d'introduire une autre séquence, ou de quitter la commande en appuyant à nouveau sur ESC.

Commande 15 Menus enchaînés:**À QUOI SERVENT-ILS ?**

Les menus enchaînés servent à vendre des groupes de produits (3 au maximum) en entrant une seule sélection.

Ces groupes de produits peuvent être programmés selon deux modes différents. Ces deux modes sont définis dans :

1. menus précomposés

2. menus à composition

Exemple de «·menus précomposés·» :

Étape 1 : le système demande l'habilitation de la fonction : 1 = habilitée ; 0 = non habilitée.

Étape 2 : si le système est habilité, un message à l'écran demande de définir numériquement le nouveau menu.

Les numéros disponibles sont compris entre 81 et 89. Le système demande ensuite d'entrer le prix plein et ensuite le prix après réduction.

Étape 3 : le système demande de sélectionner le premier groupe. Entrer le numéro de la sélection et confirmer en appuyant sur la touche «·B·» (enter), appuyer sur «·A·» (esc), le système demande alors la saisie pour la sélection du deuxième groupe. Entrer le numéro de la sélection et confirmer en appuyant sur la touche «·B·» (enter), appuyer sur «·A·» (esc), le système demande alors la saisie pour la sélection du troisième groupe. Entrer le numéro de la sélection et confirmer en appuyant sur la touche «·B·» (enter). À ce stade, le système demandera l'insertion du second menu (par exemple 82 puisque les nombres disponibles vont de 81 à 89).

Exemple de «·menus à composition·» :

Étape 1 : le système demande l'habilitation de la fonction : 1 = habilitée ; 0 = non habilitée.

Étape 2 : si le système est habilité, un message à l'écran demande de définir numériquement le nouveau menu.

Les numéros disponibles sont compris entre 81 et 89. Le système demande ensuite d'entrer le prix plein et ensuite le prix après réduction.

Étape 3 : à la différence du «·menu précomposé·», il est possible d'insérer dans le menu à composition plusieurs sélections pour chaque groupe. Il est toujours possible d'entrer jusqu'à trois groupes de sélections. L'utilisateur final aura ainsi le choix de pouvoir disposer de plusieurs produits pour former son propre menu.

REMARQUES :

lors de l'habilitation des sélections à travers le menu, pour les sélections de 81 à 89, le fonctionnement des photocellules est exclu.

Commande 25 Activation du moteur du rendement de monnaie et du micro-interrupteur d'introduction des monnaies (si présent):

Première étape : le système demande si l'on souhaite activer le moteur qui agit sur le rendement de monnaie. Valeur 1 = activé ;

valeur 0 = désactivé. Valeur par défaut = 0.

Deuxième étape : le système demande si l'on souhaite activer la présence du micro-interrupteur qui agit sur l'introduction des monnaies.

Valeur 1 = activé ; valeur 0 = désactivé. Valeur par défaut = 0.

Troisième étape : le système demande si l'on souhaite que le moteur du rendement de monnaie exécute un cycle à des intervalles de temps exprimés en minutes pendant la période d'inactivité du distributeur. le cycle unique est programmé entre un temps minimum de 2 min jusqu'à un maximum de 250 min. Valeur par défaut = 0 = cycle non activé.

Commande 26 Activation du système anti-mineurs :

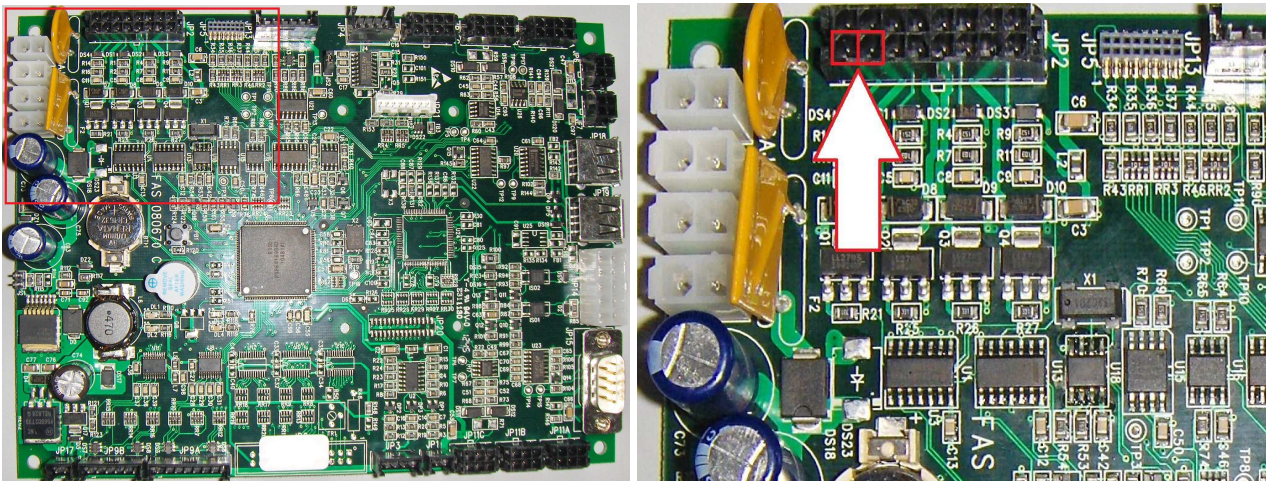
Cette commande permet, grâce à un contact électrique, de gérer un dispositif anti-mineurs lorsqu'il est installé sur l'appareil.

Première étape : le système demande d'activer le contrôle du dispositif anti-mineurs. Valeur 1 = activé ; valeur 0 = désactivé.

Deuxième étape : le système demande quelles sélections doivent faire l'objet de restrictions de vente.

CONNEXION ÉLECTRIQUE DU DISPOSITIF ANTI-MINEURS :

la connexion électrique doit être effectuée entre un contact normalement ouvert du dispositif anti-mineurs et les 2 broches du connecteur JP2 de la carte mère illustré sur la figure.



Carte mère Détail connecteur JP2

Pour la connexion utiliser un connecteur du type Molex Micro-Fit 3.0 pièce n° 43025-1600.

9.2.2 DÉFINITION PARAMÈTRES TEMPÉRATURE

Commande 40 Activation du double vitrage chauffant et choix du type de groupe frigorifique sur SLAVE :

Cette commande permet de saisir le modèle de groupe réfrigérant, avec ou sans électrovanne de dégivrage. À présent s'affiche l'option pour habilitier (valeur réglée sur 1) le chauffage du double vitrage si l'appareil dispose d'une vitre avec résistance incorporée ou bien de désactiver ce dispositif (valeur réglée sur 0). Si la commande est réglée sur 1, il sera possible de gérer les tranches horaires quotidiennes d'allumage et d'extinction de la résistance antibuée.



Le paramétrage de la commande DOIT ÊTRE cohérent avec le modèle de machine, dans le cas contraire le fonctionnement de la machine ne sera pas régulier.

Commande 41 Entrée de la température interne :

Cette commande permet d'entrer la température interne du distributeur, c'est-à-dire la température au-dessous de laquelle il y a la coupure du compresseur. La valeur prédéfinie est +3°C, mais elle peut varier entre +2 et +25°C.

Le système demande ensuite d'habilitier (le cas échéant) le kit nommé « sonde d'ambiance ». Valeur par défaut 0 = fonction non habilitée. Valeur 1 = fonction habilitée. Si la valeur paramétrée est 1, cette commande permet l'affichage de la valeur enregistrée par la sonde d'ambiance. Pour l'achat du kit, s'adresser au responsable des ventes de la zone.

Remarque : avec connexion SPIRALES SLAVE habilitée (voir commande 49), après le paramétrage de la machine MASTER, on accède au paramétrage des valeurs relatives à la machine SLAVE.

Commande 43 Programmation température fin dégivrage:

Quand le compresseur est en pause la température de l'évaporateur est contrôlée par la sonde évaporateur. Cette commande permet de programmer la température de l'évaporateur, au-delà de laquelle, suite à l'égouttage, le compresseur peut recommencer à fonctionner. De cette façon, le dégivrage complet de l'évaporateur est assuré. La commande est programmée par défaut à 3 °C, mais sa valeur peut varier entre 3 °C et 12 °C.

Remarque : avec connexion SPIRALES SLAVE habilitée (voir commande 49), après le paramétrage de la machine MASTER, on accède au paramétrage des valeurs relatives à la machine SLAVE.

Commande 44 Entrée intervalle dégivrage:

Cette commande permet de paramétrer l'intervalle de dégivrage exprimé en heures, à savoir la période de temps qui s'écoule entre un dégivrage et le dégivrage suivant. La valeur prédéposée est de 4 h et elle peut varier entre 1 h et 8 h.

Remarque : avec connexion SPIRALES SLAVE habilitée (voir commande 49), après le paramétrage de la machine MASTER, on accède au paramétrage des valeurs relatives à la machine SLAVE.

Commande 45 Paramétrage du temps d'exclusion de la sécurité frigo :

Cette commande permet de paramétrer le temps d'exclusion de l'activation de la sécurité frigo. Cette période de temps empêche l'éventuel blocage du distributeur après une opération comportant l'ouverture de la porte avec pour conséquence une augmentation de la température interne. Le retard d'intervention de la sécurité frigo permet à la machine de se reporter à la température de fonctionnement. La valeur prédéfinie de cette commande est 60 min et elle peut varier entre 30 et 360 min.

Remarque : avec connexion SPIRALES SLAVE habilitée (voir commande 49), après le paramétrage de la machine MASTER, on accède au paramétrage des valeurs relatives à la machine SLAVE.

Commande 46 Paramétrage de la température sécurité frigo :

Cette commande permet de paramétrer la température d'intervention de la sécurité, à savoir la température à partir de laquelle les sélections des produits sont bloquées (voir Commande 48). Si l'on tente d'effectuer l'une de ces sélections l'écran affiche un message d'avertissement. Cette commande est inhibée à l'allumage et après la fermeture de la porte pour la durée paramétrée à la commande 45. La valeur prédéfinie est +7 °C mais elle peut varier entre +7 °C et +35 °C. Lorsque la sécurité frigo intervient, les sélections intéressées demeurent hors service. Pour rétablir la sécurité frigo : lorsque la porte est ouverte, l'écran du distributeur Master affiche l'intervention présente sur la machine Master ou éventuellement sur les Slaves branchées à la Master. Le réarmement s'effectue en appuyant sur la touche ENTER du clavier externe. En appuyant sur la touche ESC ou en refermant la porte, l'intervention reste active et est enregistrée comme ERREUR 93. Si en refermant la porte la sécurité frigo est encore active, une alarme sonore (série de bips) se déclenche automatiquement.



Les produits doivent être introduits dans le distributeur à la température de conservation prévue par la réglementation en vigueur. Le non-respect de cette règle pourrait entraîner l'intervention de la « sécurité frigo ».

Voir paragraphe « INSTRUCTIONS POUR LE CHARGEMENT DES PRODUITS » pour obtenir une description détaillée des modes de chargement.

Remarque : avec connexion SPIRALES SLAVE habilitée (voir commande 49), après le paramétrage de la machine MASTER, on accède au paramétrage des valeurs relatives à la machine SLAVE.

Commande 48 Paramétrage des tiroirs avec sécurité frigo :

Elle permet de sélectionner les tiroirs à soumettre à la sécurité frigo. La commande requiert pour chaque tiroir, soit l'activation de la sécurité = 1, soit la désactivation = 0. Le tiroir 1 correspond au premier tiroir dans le haut. Tous les tiroirs sont paramétrés par défaut sur 1.



Pour le bon fonctionnement de la machine les tiroirs à paramétrer avec la sécurité groupe frigorifique doivent se trouver à l'intérieur de la zone à 3°C (voir paragraphe CARACTÉRISTIQUES TECHNIQUES).

Remarque : avec connexion SPIRALES SLAVE habilitée (voir commande 49), après le paramétrage de la machine MASTER, on accède au paramétrage des valeurs relatives à la machine SLAVE.

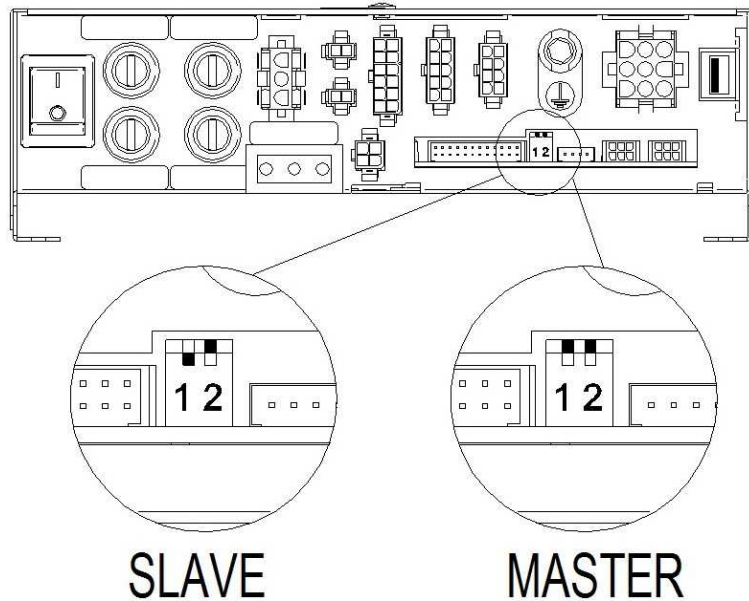
9.2.3 RÉGLAGE DES PARAMÈTRES DE LA MACHINE**Commande 49 Habilitation/Inhibition spirali slaves :**

Cette commande active la connexion Master/Slave. Il est possible de brancher une machine snack slave. Après avoir habilité l'éventuel distributeur slave présent, il est nécessaire de paramétrer la **Commande 40**.

Pour faire fonctionner un système Stand-Alone comme Slave :

- Éteindre la machine à l'aide de l'interrupteur général et débrancher la prise.
- Débrancher le connecteur de la prise JP11A de la fiche principale

- Effectuer le branchement Master/Slave avec le câble série, en insérant les connecteurs sur les prises situées à l'arrière.
- Baptiser la machine en agissant sur le dip-switch présent sur le panneau électrique, en positionnant l'encoche sur la position respective, conformément à la figure ci-contre. Pour accéder au panneau électrique, voir le paragraphe : ACCÈS AU PANNEAU ÉLECTRIQUE ET AU GROUPE DE RÉFRIGÉRATION



Commande 50 Configuration de la machine (nombre de sélections/tiroirs à pousseurs/délai d'actionnement)


La commande permet de mémoriser le nombre de sélections (motoréducteurs) présentes sur l'appareil. Par conséquent, à chaque allumage le système compare la configuration présente dans la mémoire à celle détectée en signalant toute anomalie à l'écran. La commande de configuration doit être effectuée à chaque modification de l'appareil prévoyant l'ajout ou la suppression de motoréducteurs.

L'étape suivante permet la configuration des tiroirs à pousseurs. Il suffit d'entrer le numéro du tiroir (de 1 à 7) en commençant par le haut et de régler le paramètre sur 1. (ATTENTION : le paramètre doit être remis à zéro si le tiroir à pousseurs est remplacé par un tiroir à spirales).

Pour les tiroirs à pousseurs il est également nécessaire d'indiquer pour chaque sélection l'épaisseur en millimètres du produit. Il s'agit d'une sécurité en cas de défaillance des cellules photoélectriques de chute du produit se traduisant en un délai d'actionnement du motoréducteur (la sélection 99 permet le réglage simultané du délai pour toutes les sélections).

Commande 55 Multifonction d'habilitation afficheur prix :

(si présent)

	<p>Pour régler UNIQUEMENT l'option suivante, appuyer sur le « Bouton Programmation » deux fois de suite, scandées par les sons du vibreur sonore, ceci permet d'accéder au deuxième niveau du menu. L'écran affiche « Commande 00 ». Pour quitter le mode programmation appuyer sur la touche « ESC ».</p>
---	---

NOTA BENE : Si la **Commande 55** est programmée au premier niveau du menu, les étapes disponibles seront la première, la deuxième et la septième.

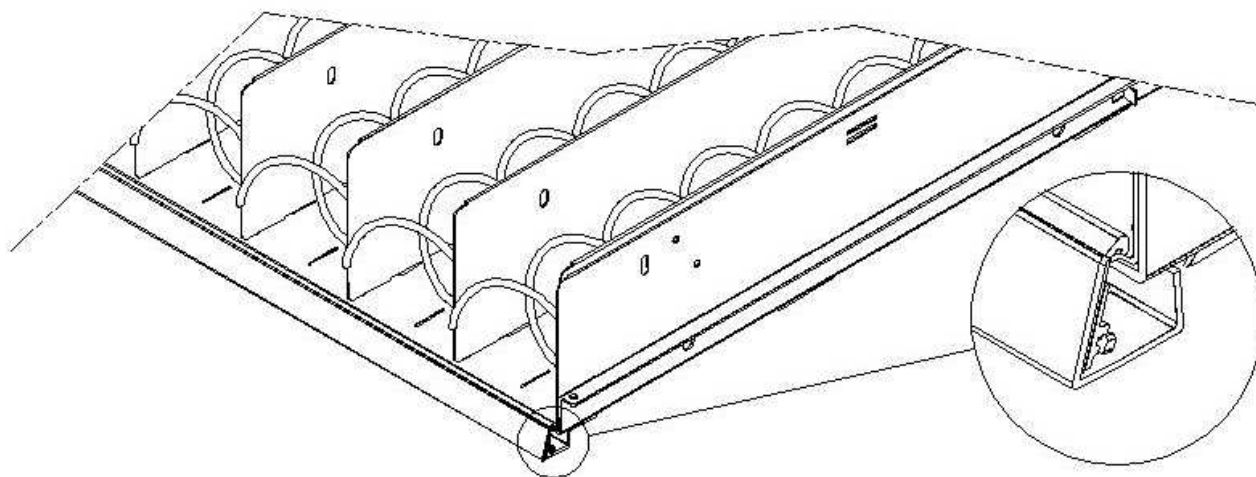
La programmation au deuxième niveau s'effectue normalement à l'installation du kit, à chaque fois que l'on remplace une ou plusieurs barres d'affichage des prix ou en cas de modification de la configuration du tiroir.

Pour modifier les prix procéder selon les instructions contenues dans le mode d'emploi et d'entretien. A chaque fois que l'on modifie les prix, à la fermeture suivante de la porte ils sont automatiquement actualisés sur la barre d'affichage.

Première étape : le système requiert l'habilitation de la fonction : 1 = habilitée, 0 = exclusion. Si le branchement entre l'afficheur de prix et la carte de contrôle de l'afficheur n'est pas interrompu, l'afficheur de la porte montre le checksum et la version du logiciel de la carte ; pour poursuivre le paramétrage appuyer sur la touche 'ENTER'.

Deuxième étape : le système demande sur quel tiroir est installée la barre d'affichage des prix. Il sera nécessaire de confirmer sa présence sur chaque tiroir (1 = présente ; 0 = non présente). Le tiroir 1 correspond au premier tiroir dans le haut. La demande couvre toutes les configurations jusqu'à un maximum de 7 tiroirs.

Troisième étape : l'afficheur de la porte affiche la demande, pour chaque tiroir, de manière à attribuer l'adresse correspondante à chaque barre d'affichage des prix.



Appuyer sur le bouton présent sur la barre d'affichage des prix, situé sur le côté droit et en évidence sur la figure. A chaque attribution, le vibreur sonore émet un son pour indiquer l'exécution de l'attribution.

Quatrième étape : le système demande si l'on souhaite modifier la configuration du distributeur (par exemple, passage de spirale simple à spirale double). Appuyer sur 'ESC' pour n'effectuer aucune modification ou sur 'ENTER' dans le cas contraire.

Cinquième étape : paramétrer le nombre de sélections présentes dans le distributeur (nombre de moteurs).

Sixième étape : le système affiche sur les barres d'affichage la configuration détectée. Si cette configuration est correcte appuyer sur 'ESC', dans le cas contraire, en appuyant sur 'ENTER', dans ce cas le système permet la configuration manuelle de chaque tiroir : taper le numéro du tiroir et choisir, avec la touche 1, le type de tiroir (« standard », « sandwich » ou « custom ») selon la configuration mécanique du tiroir puis appuyer sur ENTER pour enregistrer le choix. Le résultat s'affiche immédiatement sur la barre d'affichage correspondante. Si la configuration est effectuée correctement l'inscription de chaque sélection doit être centrée par rapport aux parois délimitant chaque sélection. Si l'on choisit le tiroir « custom », pour chaque sélection du tiroir, il sera nécessaire d'entrer le nombre de caractères réservé à la barre d'affichage correspondante (même dans ce cas, le résultat est affiché au fur et à mesure sur la barre d'affichage). À la fin de la procédure de configuration des tiroirs, appuyer sur ESC pour passer à l'étape suivante.

Septième étape : le système demande d'afficher sur la barre d'affichage des prix le prix introduit de la sélection. Appuyer sur ENTER pour exécuter la fonction

Commande 56 Paramètre du rétro-éclairage :

Pour chaque bandeau d'affichage des prix, il faut paramétrer la valeur de rétro-éclairage en mode stand-by : valeur 3 luminosité maximale ; valeur 2 luminosité à 75% ; valeur 1 luminosité à 50% et valeur 0 luminosité à 25%.

Il est ensuite nécessaire de paramétrer le contraste des barres d'affichage des prix. La valeur par défaut est 9, elle peut être comprise entre 1 et 16. Pour augmenter le contraste appuyer sur le bouton 1, pour le réduire appuyer sur le bouton 2 du clavier.

Il est ensuite nécessaire de définir l'option d'affichage de la « description du produit » à l'ouverture de la porte sur les barres d'affichage ; si la valeur du paramètre est 1, lorsque l'on ouvre la porte principale, le message de description qui a été préalablement programmé s'affiche au niveau de chaque sélection (la programmation s'effectue avec l'outil « VMC-configurator live »).

Ensuite, vous pouvez régler l'affichage des messages publicitaires. Il s'agit de chaînes de texte affichées sur la barre d'affichage pour chaque produit en alternance avec le prix.

Pour la saisie des 20 chaînes de texte avec les messages publicitaires sur la machine, veuillez consulter l'option « Clonage de la machine », points 3 et 4 de la commande 80.

Si l'option des messages publicitaires a été habilitée, vous pouvez accéder à la fonction permettant d'associer à chaque sélection l'un des 20 messages publicitaires que vous avez auparavant enregistrés sur la machine. (N.B. : pour supprimer un message pour l'une des sélections, veuillez tout simplement associer à la sélection une chaîne d'espaces ; pour cela, il faut que l'une des 20 chaînes soit un texte composé uniquement d'espaces).

Une fois l'association des textes aux sélections terminée, il est possible de régler les modes d'affichage des messages publicitaires. Il y a 4 options : ON MODE (messages toujours activés), OFF MODE (messages

toujours désactivés), OFF MODE (rétro-éclairage clignotant), TEXT BLINKING MODE (texte clignotant) ; parcourir les options en appuyant sur une touche numérique quelconque et confirmer la sélection avec la touche « B ».

De la même façon, il est possible de régler les modes d'affichage pour les écrans qui ne contiennent pas de messages promotionnels.

Le prochain paramètre à régler est le temps d'affichage des messages publicitaires en secondes.

Le dernier paramètre est le temps de désactivation des messages publicitaires, c'est-à-dire le temps d'affichage du prix du produit.

Commande 58 Activation de la modalité confirmer sélection ou présélection :

Il est possible d'activer l'option « demande de confirmation de la sélection » : chaque sélection nécessite alors la confirmation par la touche « B » avant que la transaction ne soit exécutée et le produit distribué. À l'étape suivante, la machine vous demandera d'indiquer le temps d'attente du bouton pour la confirmation avant l'annulation de la sélection effectuée.

En alternative à la fonction précédente, il est également possible d'activer la fonction « présélection » et le temps d'attente correspondant. Dans ce cas, la machine attend le paiement après que la sélection a été effectuée pendant le temps programmé de la minuterie pour effectuer la vente.

Commande 59 Compteur de coups :

Si la commande est paramétrée sur 1, le compteur de coups s'affiche à chaque ouverture de la porte.

Commande 60 Effacement mémoire:



Avec l'activation de cette commande toutes les données programmées par l'utilisateur sont effacées et remplacées par les paramètres par défaut définis par le constructeur.

Lorsque l'on sélectionne cette commande l'écran affiche **Code 0000**. En introduisant le chiffre 6203 puis en appuyant sur la touche ENTER toutes les données présentes dans la mémoire du distributeur sont effacées. La procédure d'effacement de la mémoire est la suivante :

- Mode de programmation, l'écran affiche Commande 0
- Introduire 60 et appuyer sur ENTER, l'écran affiche Code 0000
- Introduire 6203 et appuyer sur ENTER, l'écran affichememory cleared

Note : Pour quitter la commande il suffit d'appuyer une seule fois sur le bouton présent sur la carte VMC.

Remarque Avant que les compteurs relatifs aux flux de liquidités et aux ventes par sélection ne soient remis à zéro, les données sont « enregistrées » et peuvent être récupérées par la suite en accédant à la commande 60 et en tapant le code 7531..

Commande 61 Remise à zéro security/access code :

Permet la remise à zéro du code d'accès utilisé dans le protocole EVA_DTS.

Commande 62 Activation réduction :

Selon la valeur programmée pour ce paramètre les réductions disponibles sont les suivantes :

0 = aucune réduction.

1 = réduction pour tranches horaires.

2 = réduction pour achats avec clé/carte de crédit (possible uniquement en modalité MDB).

3 = réduction pour tranches horaires et pour achats avec clé/carte de crédit (uniquement en modalité MDB).

N.B. Afin que la réduction puisse être appliquée il est nécessaire de paramétrer les valeurs des tranches horaires désirées sur le minuteur journalier 2.

Si le système cashless, permet l'application de différents tableaux de prix, la sélection du tableau à appliquer au moment de la vente a lieu automatiquement à travers le protocole de communication entre la machine et le lecteur (possible uniquement pour les systèmes cashless MDB qui prévoient cette option).

Commande 63 Paramétrage mono/multivente :

Si la valeur de la commande est 0, valeur par défaut, le distributeur fonctionne en monovente, et pour tout paiement en espèces, la somme excédant le prix est rendue. Si ceci n'est pas possible cette somme s'ajoute au total des excédents encaissés. Vice-versa, si la valeur de la commande est 1 la machine fonctionne en multivente, après la vente la somme excédant le prix est réaffichée et elle peut être récupérée en agissant sur le bouton "restitution monnaie" ou bien réutilisée pour un nouvel achat.

Le système propose ensuite l'option de maintien du crédit en excès (overpay) pendant une période indéfinie à disposition de l'utilisateur. 1 = fonction habilitée, 0 = fonction désactivée.

Commande 64 Entrée de la langue de visualisation des messages:

Avec cette commande il est possible de changer la langue de visualisation des messages sur le display. La valeur **0** correspond à l'italien, la valeur **1** à l'anglais, la valeur **2** au français, la valeur **3** à l'allemand, la valeur **4** au hollandais, la valeur **5** au suédois, la valeur **6** au finlandais, la valeur **7** à l'espagnol, la valeur **8** au portugais, la valeur **9** au danois, le **10** au norvégien.

Ci-après est illustrée l'option pour l'activation de l'affichage de la liste des ingrédients du produit : 1 = option activée. Pour utiliser cette option, procéder comme suit :

- Associer à chaque produit un code d'identification de huit caractères.
- Ce code peut être programmé pour chaque sélection via la commande 6 (ou via VMC-configurator).
- La liste des ingrédients d'un produit est contenue dans un fichier image mémorisé sur une clé USB insérée sur le connecteur de la carte VMC prévu à cet effet. Le nom du fichier image correspond au code du produit avec extension .jpg (par ex : si un produit a été identifié avec le code 00881133, le fichier image correspondant sera 00881133.jpg).
- En saisissant une sélection, le fichier image correspondant au code produit associé à la sélection s'affiche.

Remarque L'image doit avoir pour dimensions 480 x 272 pixels et doit être en format jpg (profondeur de couleur 24 bits). Elle peut être créée facilement avec Paint.

La mémoire de la clé USB peut contenir les images de tous les produits gérés et pas seulement ceux présents dans la machine, ainsi lorsqu'un produit est remplacé il suffit de modifier le code associé à la sélection via la commande 6.

Commandes 66-67 Affichage des températures internes et de l'évaporateur:

Les informations qui seront affichées à la deuxième ligne du display dépendent de la valeur qu'on a programmée pour ces commandes (voir tableau ci-dessous). Par défaut, la montre s'affiche.

Commande 66	Commande 67	Valeur affichée
0	0	Affichage de l'horloge
1	0	Affichage de la température intérieure *
0	1	Affichage de la température intérieure + température évaporateur
1	1	Affichage de l'horloge + température intérieure

* La commande 66 permet d'afficher la température interne de machine SLAVE éventuellement branchée. Dans ce cas la température du distributeur MASTER est indiquée avec le symbole TM, celle de distributeur SLAVE avec TA.

Par ailleurs, la commande 67 permet d'afficher, uniquement durant la phase de programmation, la température interne et la température de l'évaporateur de la machine SLAVE éventuellement branchées.

Commande 68 Paramétrage description devise affichée:

La commande permet l'introduction de la devise désirée. 4 caractères sont disponibles et l'introduction a lieu avec la même modalité que celle prévue pour la **Commande 95**.

Commande 69 Choix mode de fonctionnement monnayeur:

Avec cette commande il est possible de choisir le type et la modalité de fonctionnement du monnayeur. On peut donner au paramètre les valeurs suivantes :

- EXECUTIVE avec les prix gérés dans l'appareil (voir le paragraphe correspondant)
- EXECUTIVE PRICE HOLDING (c'est à dire avec les prix programmés dans le monnayeur), dans ce cas les prix programmés à la commande 03 doivent être les mêmes que ceux programmés dans le monnayeur (voir le paragraphe correspondant). Il est également possible de régler le paramètre sur « Price-Display ». En cas d'habilitation, le distributeur utilisera exclusivement les informations sur la valeur des prix provenant du système de paiement, cela signifie qu'il ne sera donc pas nécessaire de remplir les tableaux des prix (Commandes 03 et 04), il suffira de paramétrer seulement la Commande 05 (voir le paragraphe correspondant).
- BDV 001 (voir le paragraphe concernant l'utilisation du monnayeur BDV)
- MDB (voir le paragraphe concernant l'utilisation du système de paiement MDB).

Commande 70 Option fonctionnement signalisation sonore:

En programmant cette commande à zéro, le fonctionnement de l'avertisseur sonore est exclu pendant le fonctionnement de la machine.

Commande 73 Activation cellules photoélectriques:

Cette commande doit être programmée à 1 seulement si le système des cellules photoélectriques est installé. Sa fonction est celle d'activer=1 /désactiver=0 ledit dispositif. Note : Ce paramétrage est valable pour les deux machines (MASTER et SLAVE).

En programmant la commande à 1, (cellules photoélectriques activées), on entre automatiquement dans le menu permettant de désactiver, si nécessaire, cette fonction pour les sélections souhaitées (distribution sans contrôle des cellules photoélectriques). Pour désactiver l'option concernant une ou plusieurs sélections il suffit de taper le numéro de la sélection et ensuite de programmer la valeur à zéro.

Remarque : avec connexion SPIRALES SLAVE habilitée (voir commande 49), après le paramétrage de la machine MASTER, on accède au paramétrage des valeurs relatives à la machine SLAVE.

Commande 74 Test photocellules:

Cette commande sert à vérifier le bon fonctionnement des cellules photoélectriques. Après avoir sélectionné le type de test à effectuer, le système lance automatiquement une procédure de test, dont les résultats s'affichent à l'écran une fois le test terminé. Dans le cas de fonctionnement anormal, l'écran affiche une deuxième valeur relative à l'anomalie décelée. Pour cette deuxième valeur se référer au tableau de la Commande 99.

Commande 75 Paramétrage des valeurs de fonctionnement de la barrière à photocellules:

Cette commande permet l'affichage et l'éventuelle modification du paramètre de fonctionnement de la barrière à photocellules. Cette valeur est univoque pour la machine MASTER et pour les éventuelles SLAVES connectées.

Message	Valeur par défaut	Signification
«·Hyster.HL·»	6	ce paramètre agit sur la sensibilité de lecture du système. Plus la valeur paramétrée est basse, plus la sensibilité du système est haute. La valeur peut varier entre 5 (minimum) et 30 (maximum).

Commande 76 Options de fonctionnement du système («·options FTC·»):

Selon la programmation de cette commande on détermine les réactions du distributeur si le produit n'est pas délivré. Il est possible de programmer une valeur comprise entre 0 et 3. Par défaut = 0.

Si on programme:

0 = il est possible d'effectuer une autre sélection; dans ce cas là la commande 63 (mono-multivalente) doit être programmée à 1 (s'il s'agit du système de paiement exécutive, la programmation de la fonction multivalente doit être effectuée même dans le système de paiement).

1 = le crédit est délivré automatiquement; dans ce cas là la commande 63 doit être programmée à 0. (s'il s'agit du système de paiement exécutive, la programmation de la fonction monovalente doit être effectuée même dans le système de paiement).

2 = un quart de tour supplémentaire sera effectué; si le produit n'est pas délivré la spirale effectuera encore 1/4 de tour et, en cas de manque de distribution du produit, on reviendra à une des deux opérations précédentes, selon la programmation du paramètre mono ou multivalente.

- *Dans ce but, après avoir paramétré la valeur 2 sur la commande 76, par défaut l'option est désactivée pour toutes les sélections. On accède automatiquement au menu qui permet l'activation de l'option pour chaque spirale. Pour activer l'option pour une spirale, il suffit d'introduire le numéro de sélection et de paramétrer la valeur 1. Vice-versa en paramétrant la valeur 0 l'option sera désactivée. L'option n'est pas applicable aux spirales à ½ tour. Si le système de paiement est du type à protocole « Executive », la vente unique ou multivalente doit également être paramétrée sur le système de paiement.*
- *En alternative il est possible d'habiliter/désactiver la fonction pour chaque tiroir : la sélection 91 implique que toutes les sélections du premier tiroir en haut soient par exemple habilitées pour la fonction du quart de tour. Sélection 92 = 2ème tiroir ; 93 = 3ème tiroir ; 94 = 4ème tiroir ; 95 = 5ème tiroir ; 96 = 6ème tiroir ; 97 = 7ème tiroir ; en programmant la fonction à la sélection 99, toutes les sélections du distributeur seront habilitées ou désactivées.*

3 = Multistep (rotations partielles multiples) : si aucune distribution du produit n'a lieu, la spirale effectue encore 1/8 de tour qu'elle répète 4 fois si le produit n'est pas délivré ; à la cinquième tentative la spirale complète le tour et le système vérifie si le produit a bien été délivré, en se disposant éventuellement dans l'une des options 1 ou 2 selon le réglage du paramètre mono ou multivente. Dans ce cas aussi, la fonction doit être activée pour chaque sélection ou tiroir ou pour la totalité (voir le point 2).

Le système permet ensuite de paramétrer l'option « vide » qui, lorsqu'elle est activée (valeur paramétrée sur 1) exclut la sélection en cas de non distribution du produit jusqu'à la prochaine ouverture de la porte principale.

Le système demande ensuite d'introduire les options relatives à la SÉCURITÉ DES CELLULES PHOTOÉLECTRIQUES :

l'activation de cette fonction (paramètre = 1) prévoit l'introduction d'un nombre de produits dans une fenêtre temporelle (en minutes). Si durant l'intervalle de temps programmé le nombre de non-lectures est égal au nombre de produits programmés, les cellules photoélectriques sont désactivées. L'événement actif est signalé sur l'écran à l'ouverture de la porte et est également enregistré sur la Commande 99 avec le code d'Erreur 39. Le réarmement des cellules photoélectriques peut être programmé manuellement ou automatiquement. Si le réarmement est manuel, dans ce cas le paramètre = 0, il est nécessaire d'accéder à la fonction TEST VEND pour réactiver le fonctionnement des cellules photoélectriques ; si le réarmement est automatique, dans ce cas le paramètre = 1, après 15 minutes le système effectue une tentative de réarmement de la fonction.

Remarque : avec connexion SPIRALES SLAVE habilitée (voir commande 49), après le paramétrage de la machine MASTER, on accède au paramétrage des valeurs relatives à la machine SLAVE.

Commande 80 USB menu:

La commande 80 permet d'afficher un menu à choix multiple avec les options suivantes :

1. **Clonage machine**
2. **Audit sur la clé**
3. **Mise à jour du logiciel**

Pour accéder à la fonction souhaitée, il suffit de composer le numéro correspondant sur le clavier de sélection après avoir inséré la clé USB dans le connecteur prévu à cette effet sur la carte principale.

Clonage machine

Vous pouvez à présent choisir entre quatre options

1. - Écriture des données de configuration sur clé USB.

Cette fonction permet de transférer tous les paramètres de programmation sur une clé USB. S'il n'a pas encore été programmé, le système vous demandera le « code de configuration » (voir note). Une fois le code composé et confirmé, deux options sont disponibles :

B. Commencer l'écriture des fichiers de clonage sur la clé USB (nom affiché sur l'écran).

1. Modifier le code de configuration.

Appuyer sur la touche B pour commencer l'écriture du fichier sur la clé. Une barre de progression de la procédure s'affichera. Attendre que le message « Écriture terminée » apparaisse avant de retirer la clé.

Exemple : quand vous programmez le code de configuration 00000123, le fichier généré sur la clé USB sera nommé : «·YOUNG_00000123.DAT·». Si un fichier du même nom existe sur la clé, celui-ci sera renommé avant l'écriture du nouveau fichier en ajoutant un numéro progressif au nom du fichier.

Remarque Si vous souhaitez exporter les données de configuration dans leur intégralité, il est nécessaire d'exécuter le clonage après avoir accédé au deuxième niveau de programmation (clonage étendu).

2. Lecture des données de la clé - Lecture des données de configuration sur la clé USB :

Cette fonction permet de lire les données de configuration sur la clé USB. S'il n'a pas encore été programmé, le système vous demandera le « code de configuration » (voir note). Une fois le code composé et confirmé, deux options sont disponibles :

B. Lecture de fichier de la clé USB (nom du fichier affiché sur l'écran).

1. Modifier le code de configuration.

Appuyer sur la touche B pour commencer la lecture du fichier sur la clé. Une barre de progression de la procédure s'affichera. Attendre que le message « Lecture terminée » apparaisse avant de retirer la clé.

Exemple : quand vous programmez le code de configuration 00000123, le fichier recherché et lu sur la clé USB est nommé : «·YOUNG_00000123.DAT·». Par conséquent, il est possible d'enregistrer sur une même

clé USB plusieurs fichiers de programmation pour des machines du même modèle mais configurées différemment et différenciées par leurs « codes de configuration » propres.

3. Copie des chaînes des messages publicitaires sur clé USB :

Cette fonction permet de recopier les 20 messages publicitaires programmés actuellement sur la machine sur une clé USB. Le fichier cible sera nommé « PromoMessages.txt ». Il est possible de modifier les textes dans un éditeur de texte (par ex. Notepad) sur ordinateur et de les enregistrer ensuite sur la machine avec l'option suivante.

4. Lecture des chaînes des messages publicitaires sur clé USB :

Cette fonction permet d'effectuer l'opération inverse à celle précédemment décrite en recopiant le contenu du fichier « PromoMessages.txt » (les chaînes de texte modifiées) enregistré sur la clé USB sur la machine.

Note : Le réglage de la plupart des paramètres de la machine (ceux concernant toutes les sélections : sélection des prix, gammes de prix, codes produit...) dépend de la configuration mécanique (conception) de la machine. Pour cette raison, nous avons introduit le « code de configuration », un code à 8 caractères qui identifie de manière univoque chaque machine ou groupe de machines partageant une même configuration. Avec le nom du modèle de la machine, le code de configuration constituera le nom du fichier dans lequel seront enregistrés les paramètres de programmation de la machine à la sortie (clonage) et à l'entrée (lecture de données de la clé). Le « code de configuration » vous sera demandé lorsque vous exécuterez pour la première fois le clonage ou la lecture de données sur la clé et il restera le même jusqu'à sa modification par l'utilisateur.

Il est recommandé de procéder comme suit pour chaque nouvelle machine (ou pour chaque nouvelle configuration) :

1. modifier la configuration mécanique selon les besoins
2. exécuter la commande 50 pour enregistrer la configuration des sélections
3. exécuter un clonage étendu (deuxième niveau de programmation) en programmant entre temps le « code de configuration ».
4. importer les fichiers obtenus dans le configurateur live VMC.
5. effectuer toutes les modifications/tous les réglages désirés des paramètres de la machine et sauvegarder le fichier.
6. Exporter le fichier vers la clé
7. Reprogrammer la machine via la clé.
8. Toutes les modifications successives aux paramètres de la machines doivent être effectuées à l'aide du configurateur ou, si elles sont effectuées sur le site, être transférées sur le configurateur.

Si les machines sont gérées par groupes ayant la même configuration, pour une nouvelle machine du groupe dont la programmation a déjà été enregistrée, il suffit d'exécuter les opérations décrites au point 7.

Audit sur clé – Prélèvement des données de vente :

Cette fonction permet de transférer les fichiers de données EVA-DTS sur une « clé USB ». Appuyer sur la touche B pour commencer l'écriture du fichier sur la clé. Une barre de progression de la procédure s'affichera. Attendre que le message « Écriture terminée » apparaisse avant de retirer la clé.

Le fichier créé sur la clé USB porte le nom : «·AUDIT_YOUNG_140919153228.DAT·» (les numéros suivent l'ordre an/mois/jour/heure/minutes/secondes suivant l'horloge de la machine).

Mise à jour du logiciel – Mise à jour progiciel cartes

Sélectionner l'option Mise à jour du logiciel pour accéder au sous-menu correspondant à choix multiple :

1. **Mettre à jour VMC actuelle**
2. **Charger nouveau modèle de VMC**
3. **Mise à jour de la carte Power (s'applique également aux esclaves)**
4. **Mise à jour de l'écran**

Avant de sélectionner la commande, insérer la clé dans la prise USB de la carte que vous souhaitez mettre à jour.

1. Cela exécute le chargement de la mise à jour du logiciel pour le même modèle (par ex. YOUNG avec YOUNG, Winning avec Winning). Une fois l'opération terminée, la machine redémarre. **ATTENTION** la clé peut contenir plusieurs fichiers de programmation mais uniquement pour des modèles différents de machines. Il n'est pas possible d'y conserver plus d'un fichier pour le même modèle de machine.

2. Cela exécute le chargement du logiciel concernant un modèle de machine différent (par ex. YOUNG sur Winning ou inversement). *ATTENTION* dans ce cas, la clé USB doit contenir uniquement le fichier à charger sur la machine.
3. Avant d'appuyer sur le 3, effacer la tâche de prélèvement de données, insérer la clé USB dans le connecteur prévu à cet effet sur le devant du panneau électrique. Une fois l'opération terminée, la machine redémarre.
4. Dans ce cas, la clé doit être insérée dans le connecteur prévu à cet effet sur la carte principale.

Commande 85 Affichage de la somme de contrôle (checksum) et de la version du logiciel de la carte mère (main) et alimentation (power).

Commande 88 Activation du chauffage des produits sur MODULE WAVE (si présent):

Cette commande habilite le fonctionnement de la colonne fours à micro-ondes. Valeur 1 = activé ; 0 =exclusion.

Si la fonction est activée, le système demande de programmer le temps de chauffage, en secondes, pour les produits présents sur chaque sélection de la machine principale (YOUNG), valeurs réglables de 0 à 180 secondes.

Les temps de chauffage sont réglés pour une utilisation à la puissance maximale

Commande 90 Sélection du protocole d'AUDIT / habilitation télémétrie :

La carte de contrôle est dotée d'une prise RS232. Le connecteur I/O est connecteur sub-D mâle 9 pôles dans lequel sont utilisées les broches suivantes :

- Broche 2 VMC Tx - Broche 3 VMC Rx - Broche 5 Terre -Broche 7 CTS

En parcourant le menu à l'aide d'une touche quelconque (sauf les touches A et B), vous pouvez, à tout moment, sélectionner PRINTER : la machine supporte une imprimante courante d'étiquettes à rouleau continu connectée à la prise RS232. Dans ce cas, la transmission est effectuée à 9600 bauds / 8 bits de données sans parité et avec 1 bit d'arrêt. Le câble de connexion utilise les broches 2, 5 et 7.

Quand l'imprimante est en ligne, l'impression des données de vente peut être lancée en appuyant sur la touche d'accès à la programmation externe au boîtier du monnayeur.

En sélectionnant EVA-DTS DDCMP dans le menu, la machine communique avec le réseau externe via l'interface infrarouge 082925 (interface IRDA) ou via la connexion physique sur le connecteur sub-D 9 pôles conformément au protocole EVA-DTS vers.6.0.

La machine vous demande alors de choisir le type de connexion : interface infrarouge (OUTPUT OPTICAL LINK) ou le câble du connecteur sub-D 9 pôles sur la carte (OUTPUT RS232) ; dans le dernier cas, les broches utilisées du connecteur sont les suivantes 2= VMC Tx, 3=VMC Rx, 5= GROUND

La machine demande de saisir l'adresse du périphérique : composer la valeur souhaitée (1 pour la connexion point à point) et appuyer sur « ENTER ».

Ensuite, il faut sélectionner la vitesse de transmission. Pour ce qui est de la connexion à l'interface infrarouge, elle doit correspondre aux configurations de la carte 082925 (voir les instructions respectives). La portée peut être réglée à 2400÷115200 bauds, ou elle peut être programmée en reliant la machine et le bornier (option disponible uniquement pour la connexion via câble). La sélection s'effectue en parcourant les différentes options de vitesse au moyen de n'importe quelle touche du tableau de commande et en confirmant la valeur souhaitée par la touche «·ENTER·».

Ensuite, vous devez régler l'option « activation télémétrie ». Valeur 1 = fonction activée ; valeur 0 = fonction désactivée. Valeur par défaut = 0 *ATTENTION* : L'habilitation de l'option est possible uniquement si l'appareil de télémétrie supporte l'envoi d'événements à partir de la machine (en ce cas, la machine agit en tant que maître et commence la session DDCMP)

Il est donc possible d'activer « Erase interim data » (valeur réglée sur 1) c'est-à-dire l'annulation des compteurs programmables après leur lecture et il est ensuite possible d'activer l'annulation immédiate des données intermédiaires ou de permettre l'annulation après la première opération d'acquisition effectuée sur la machine.

Si la commande est réglée sur DEX UCS, la machine communique avec l'extérieur via le protocole DEX UCS.

Commande 91 Introduction des données d'identification de la machine :

La première donnée à entrer est le numéro de série de l'appareil (uniquement la partie numérique) consistant en un code à 8 chiffres.

la deuxième donnée requise en format alphanumérique de 30 caractères max. concerne la position de l'appareil, pour le mode de saisie de la description se référer au tableau de la commande 95. La troisième donnée requise est le code numérique d'identification de l'appareil (asset number).

Toutes ces données sont ensuite inscrites dans le fichier d'Audit pour l'identification de l'appareil.

Commande 92 Remise à zéro des données de vente :

La commande permet la remise à zéro des données de vente de la machine, (voir commande 10). L'opération nécessite l'introduction d'un code d'accès. La procédure est la suivante :

- Mode de programmation, l'écran affiche Commande 0
- Introduire 92 et appuyer sur ENTER, l'écran affiche Code 0000
- Introduire 1221 et appuyer sur ENTER, l'écran affiche 'REMISE À ZÉRO DONNÉES ?'

En appuyant sur la touche ENTER toutes les données de vente seront remises à zéro alors que la touche ESC permet de revenir au menu principal sans modifier les données.

Commande 95 Réglage des fonctions d'affichage de l'écran (boîte de message utilisateur/ diaporama interne/diaporama USB):

Plusieurs fonctions ne peuvent pas être activées simultanément.

1. La boîte de message qui s'alterne avec l'affichage normal de l'écran toutes les 8 secondes se compose d'un titre (max 28 caractères) et d'un corps de texte (max 80 caractères). La saisie de texte s'effectue en tapant le code caractère correspondant (voir le tableau) or avec le configurateur
2. Le diaporama interne consiste en une série d'images prédéfinies qui s'affichent lorsque l'appareil est en mode veille.
3. Le diaporama USB consiste en l'affichage, lorsque l'appareil est en mode veille, d'images enregistrées par l'utilisateur sur une clé USB. Les images doivent être sous format jpg avec une résolution maximale de 480 x 272 pixels and profondeur de couleur 24 bits

Si la boîte de message est activée, le texte puis le corps du message sont programmés dans cet ordre. Sur la deuxième ligne, le message « **Caractère 00** » s'affiche, alors que sur la troisième ligne s'affiche le texte actuellement disponible. En introduisant les codes des caractères que l'on désire introduire (voir tableau suivant) et en confirmant à chaque fois au moyen de la touche ENTER on compose le message souhaité. A la fin la touche ESC permet de revenir au menu principal.

CODE	CARACTERE	CODE	CARACTERE	CODE	CARACTERE
00	avance curseur	28	E	56	g
01	recul curseur	29	F	57	h
02	espace vide	30	G	58	i
03	!	31	H	59	j
04	"	32	F	60	k
05	#	33	J	61	l
06	\$	34	K	62	m
07	'	35	N	63	n
08	,	36	M	64	o
09	-	37	I	65	p
10	.	38	S	66	q
11	/	39	P	67	r
12	0	40	Q	68	s
13	1	41	R	69	t
14	2	42	S	70	u
15	3	43	R	71	v
16	4	44	U	72	w
17	5	45	V	73	x
18	6	46	W	74	y
19	7	47	X	75	z
20	8	48	Y	76	â
21	9	49	Z	77	ø
22	:	50	a	78	æ
23	;	51	b	79	ä
24	A	52	c	80	ö
25	B	53	d	81	ü
26	C	54	e	82	°
27	D	55	f		

Le caractère avec le code 00 permet de faire avancer le curseur d'une position.

ATTENTION! Si le curseur se trouve après le premier caractère du message et que l'on appuie sur la touche ESC pour revenir au menu principal, le message est coupé à l'endroit où se trouve le curseur; par conséquent avant de quitter la fonction, placer le curseur à la fin du message.

Il est conseillé de composer le message sur un morceau de papier en utilisant les codes du tableau (y compris les espaces) puis de le programmer sur la machine.

Commande 99 Menu affichage des événements :

ce menu présente les options suivantes :

1. Erreurs
2. Arrêts/mises en marche
3. Enregistrement de la température
4. Récupération du fichier journal

1. Erreurs

Permet d'afficher les 20 dernières situations d'erreur s'étant manifestées ; pour passer d'un affichage à l'autre appuyer sur la touche ENTER. Lorsque l'affichage est terminé, le système requiert la confirmation de la remise à zéro de toutes les données. Appuyer sur ENTER pour confirmer ou sur ESC pour n'effectuer aucune modification sur les données enregistrées.

CODE D'ERREUR	SOUS-CODE	CAUSE DE L'ALARME
01	N°. code sélection	Moteur bloqué (la spirale ne tourne pas)
02	N°. code sélection	La spirale n'accomplit pas un tour complet
05	N°. code sélection	Moteur débranché
09	N°. code sélection	Possible défaut du micro-interrupteur ou du câblage du moteur de la spirale
10	(*) 38 - 39	Sonde température interne en panne
11	(*) 38 - 39	Sonde évaporateur en panne
16	(*) 33 - 38 - 39	Communication d'erreur avec le périphérique (carte du panneau électrique)
17	(*) 38 - 39	Break communications lors du cycle de vente sans encaissement du crédit
18	(*) 38 - 39	Break communications lors du cycle de vente avec encaissement du crédit
30	(*) 38 - 39	Intervention de la sécurité frigo
31	(*) 38 - 39	Erreurs Test cellules photoélectriques.
32÷38	(*) 38 - 39	Erreur Réglage cellules photoélectriques
39	(*) 38 - 39	Sécurité des cellules photoélectriques
51	(*) 38 - 39	Interruption du branchement périphérique au début du cycle de vente.
55	/	Système de paiement hors service.
61	N°. code sélection	Moteur bloqué (la spirale ne tourne pas) SLAVE A
62	N°. code sélection	La spirale n'accomplit pas un tour complet SLAVE A
65	N°. code sélection	Moteur débranché SLAVE A
69	N°. code sélection	Possible défaut du micro-interrupteur ou du câblage du moteur de la spirale SLAVE A
91	N°. code sélection	Non-rétablissement des sélections.
93	/	Intervention de la sécurité frigo

(*)Légende :

33 = Photocellule
38 = Spirales Master
39 = Spirales Slave

2. Arrêts/mises en marche :

affiche les 10 dernières périodes pendant lesquelles la machine est restée éteinte. Sur le display s'affichent les valeurs suivantes:

POWER OFF	DATE	HEURE
POWER ON	DATE	HEURE

Pour passer d'une visualisation à l'autre appuyer sur la touche ENTER.

Remarque : Pour avoir des valeurs fiables, on doit programmer l'horloge.

3. Enregistrement de la température :

affiche les variations de température interne des dernières 24 heures. Ces valeurs sont enregistrées à des intervalles de 15 minutes. Pour afficher toutes les valeurs, appuyer sur la touche « B ».

Pour effectuer l'enregistrement, il faut programmer l'horloge (voir Commande 02). Une fois l'horloge programmée, toutes les données sont réinitialisées automatiquement.

4. Récupération du fichier journal

Permet la sauvegarde sur clé USB d'un fichier de texte qui contient toutes les données enregistrées de la machine : paramètres du groupe de réfrigération, températures, cycles de dégivrage, arrêts/mises en marche et erreurs. Le fichier enregistré sur la clé «·PrintYOUNG_code_configuration_dateheure·».

9.3 UTILISATION DU MONNAYEUR BDV



La connexion et la déconnexion du monnayeur doivent être effectuées lorsque la machine est éteinte.

Mettre en fonction la machine, entrer dans la programmation et inscrire dans **la commande 69 la valeur 4**. Déconnecter la machine pendant peu de secondes. Au rallumage la machine et le monnayeur communiqueront correctement.

Commande 30	Obligation d'achat avant la récupération de l'argent	(déf. 0)
Commande 31	Crédit maximale	(déf. 0)
Commande 32	Valeur maximale monnaies rendues	(déf. 0)
Commande 33	Inhibition pièces de monnaie	(tous habil.)
Commande 34	Inhibition monnaies en condition de montant exact	(tous habil.)
Commande 35	Niv. monnaie affichage Montant exact	(déf. 0)
Commande 36	Équation montant exact	(déf. 0)
Commande 37	Habilitation lecteur de carte de crédit	(déf. 0)
Commande 38	Vidange tubes rendeurs récupération monnaie.	
Commande 39	Remplissage tubes rendeurs.	

Commande 30 Obligation d'achat avant la récupération de l'argent:

En programmant à 1 cette commande, le client est obligé d'acheter le produit avant d'obtenir la monnaie, ceci pour empêcher de utiliser le monnayeur comme changeur. Si la vente a raté, alors on peut récupérer l'argent.

Commande 31 Crédit maximal:

Indique le crédit maximal accepté par le monnayeur: si on dépasse cette valeur, l'acceptation d'autres monnaies est interdite.

Commande 32 Valeur maximale monnaies rendues:

cette fonction n'est active qu'en mode multivente. Si la valeur du crédit à récupérer après une vente est supérieur à la valeur programmée par cette commande, la restitution de la monnaie est interdite. On devra donc effectuer d'autres achats afin que le crédit à récupérer soit inférieur à la valeur programmée. Le levier de récupération de la monnaie permettra d'obtenir la monnaie.

Commande 33 Inhibition pièces de monnaie:

Par cette commande on interdit l'acceptation de la part du monnayeur de particulières pièces de monnaies. Si par exemple on veut interdire l'acceptation de la monnaie 5, on doit procéder comme suit:

1. Mode de programmation, le display affiche-Commande 00
2. Inscrire 33 et appuyer sur ENTER, le display affiche.....Coin No 00
3. Inscrire 5 et appuyer sur ENTER, sur le display s'affiche0
4. Entrer la valeur 1 et appuyer sur ENTER.

Commande 34 Inhibition monnaies en condition de montant exact:

Cette commande permet d'interdire l'acceptation de pièces de monnaie particulières si le monnayeur doit rendre de petites pièces de monnaie, c'est à dire au moment où l'écran affiche le message «·insérer seulement le montant exact·».

Commande 35 Niveau monnaie pour affichage montant exact:

On peut programmer une valeur de 0 à 15 qui représente le nombre des pièces de monnaie à ajouter au niveau minimum prédéterminé du contenu des tubes, afin de quitter la condition de «·montant exact·».

Commande 36 Équation montant exact :

Indique la combinaison des états de vides des tubes rendeurs à fin qui puisse être affiché le message de montant exact. Voici une liste des combinaisons possibles :

0 = A ou (B et C)	1 = A et B et C	2 = seulement A e B
3 = A et (B ou C)	4 = seulement A	5 = seulement A ou B
6 = A ou B ou C	7 = seulement A et C	8 = seulement A ou C
9 = seulement B et C	10 = seulement B	11 = seulement B ou C
12 = seulement C		

Commande 37 Habilitation lecteur de carte de crédit :

En programmant à 1 cette commande, on habilite le fonctionnement du lecteur de carte de crédit.

Commande 38 Vidange tubes rendeurs récupération monnaie:

Cette commande est utilisée pour dresser un inventaire des monnaies présentes dans les tubes rendeurs du monnayeur. Pour obtenir la restitution par le tube rendeur 1 (monnaie avec valeur plus petite), on doit procéder comme suit:

1. Mode de programmation, le display affiche-Commande 00
2. Inscrire 38 et appuyer sur ENTER, le display affiche..... Tube No 00
3. Inscrire 1 et appuyer sur ENTER.

Le monnayeur commence à rendre la monnaie du tube rendeur sélectionné jusqu'au moment où on relâche la touche ENTER.

Commande 39 Remplissage tubes rendeurs récupération monnaie:

On doit procéder comme suit:

1. Mode de programmation, le display affiche-Commande 00
2. Inscrire 39 et appuyer sur ENTER
3. Insérer les monnaies dans le monnayeur
4. Appuyer de nouveau sur ENTER

Remarque Si le procédé n'est pas effectué correctement, on peut trouver des valeurs fausses aux commandes 09 et 10.

9.4 UTILISATION SYSTÈMES DE PAYEMENT MDB



La connexion et la déconnexion du monnayeur doivent être effectuées lorsque la machine est éteinte.

Mettre en fonction la machine, entrer dans la programmation et inscrire dans **la commande 69 la valeur 5**. Déconnecter la machine pendant peu de secondes. A la remise en service, la machine et le monnayeur seront à même de communiquer d'une façon correcte.

A la remise en service, la machine et le monnayeur seront à même de communiquer d'une façon correcte.

Commande 27	Programmation signal système de paiement hors service.
Commande 28	Sélection compteurs contenu tubes rendeurs récupération monnaie
Commande 29	Désactivation affichage crédit cashless
Commande 30	Obligation d'achat avant la récupération de l'argent.
Commande 31	Introduction du crédit max. accepté (clef – comptant).
Commande 32	Niveau minimum des pièces de monnaie dans les tubes.
Commande 33	Inhibition de monnaies/billets particuliers
Commande 34	Inhibition monnaie en condition de montant exact /activation rejet des billets.
Commande 35	Mise à zéro compteurs des pièces de monnaie dans les tubes rendeurs.
Commande 36	Condition de montant exact (manque de pièces de monnaie).
Commande 37	Inhibition lecteur de billets de banque en condition de montant exact.
Commande 38	Vidange tubes rendeurs récupération monnaie.
Commande 39	Remplissage tubes rendeurs.

Commande 27 Programmation signal système de paiement hors service:

Si la commande est programmée à 1, lorsque la connexion avec le système de paiement MDB s'interrompt le distributeur résultera hors service et sur l'écran s'affichera le message correspondant; si la commande est programmée à 0 (zéro) l'option est désactivée. Par défaut cette commande est programmée à 0.

Commande 28 Sélection compteurs contenu tubes rendeurs récupération monnaie:

Cette commande permet de choisir si utiliser les compteurs concernant le contenu des tubes rendeurs récupération monnaie du monnayeur ou tout simplement les compteurs à l'intérieur de la machine. Si cette commande a été programmée à 1, chaque fois qu'on exécute un power-up les compteurs internes à la machine sont mis à jour selon les valeurs envoyées par le monnayeur; par contre, si la commande est programmée à 0 les valeurs indiquées par le monnayeur sont ignorées.

Commande 29 Désactivation affichage crédit cashless:

Cette commande permet de désactiver ou d'activer l'affichage du crédit provenant du dispositif cashless MDB (lecteur de clé ou de carte). Si la commande est programmée à 1 le crédit concernant le dispositif cashless n'est pas affiché; si, par contre, la commande est programmée à 0 la machine affiche aussi le crédit qui se rapporte au dispositif cashless.

Commande 30 Obligation d'achat avant la récupération de l'argent:

En programmant à 1 cette commande, le client est obligé d'acheter le produit avant d'obtenir la monnaie, ceci pour empêcher de utiliser le monnayeur comme changeur. Si la vente a raté, alors on peut récupérer l'argent.

Commande 31 Introduction du crédit max. accepté (clef – comptant):

Introduire le crédit maximum que le monnayeur accepte en cas d'achat par clef/carte ou bien comptant, une fois que cette valeur a été dépassée, l'acceptation d'autres pièces de monnaie/billets est bloquée. Le système propose ensuite l'option de reste maximum, qui correspond à la quantité maximale de monnaies que peut rendre la machine, la valeur par défaut est de 1000, la valeur max. est de 9000.

Commande 32 Niveau minimum des pièces de monnaie dans les tubes:

Il s'agit du numéro des pièces de monnaie (spécifique pour chaque monnayeur) qui doit rester à l'intérieur de chaque tube, afin de garantir le bon fonctionnement du système de distribution. (Pour programmer la valeur correcte du paramètre en question voir la notice d'instructions relative au monnayeur). Si à chaque tube on a associé une valeur différente, il faudra programmer la valeur maximum parmi celles déclarées. La programmation de ce paramètre est fondamentale pour garantir la correcte gestion comptable du distributeur.

Remarque L'inventaire des tubes (commande 38) s'arrêtera lorsque le contenu de chaque tube atteint la valeur introduite à la commande 32. Pour vider complètement les tubes, utiliser les boutons de distribution sur le monnayeur.

Commande 33 Inhibition de monnaies/billets particuliers :

Cette commande permet deux réglages, tel que décrit ci-après :

1. Blocage acceptation de monnaies particulières de la part du monnayeur.
2. Blocage acceptation de billets particuliers de la part du lecteur.

Pour passer du point 1 au point 2, appuyer sur la touche ESC.

N.B. : Les monnaies sont classées par ordre de valeur croissante.

Commande 34 Inhibition petite monnaie rendue /activation rejet des billets:

Cette commande permet deux réglages, tel que décrit ci-après :

Cette commande permet d'interdire l'acceptation de pièces de monnaie particulières si le monnayeur doit rendre de petites pièces de monnaie, c'est à dire au moment où l'écran affiche le message «insérer seulement le montant exact».

1. de bloquer l'acceptation de certaines pièces quand il est possible que la machine ne contienne plus la monnaie requise pour le rendu, c'est-à-dire quand le message « Introduire le montant exact » s'affiche.
2. d'activer la fonction « Escrow » (rejet) pour chaque billet.

Commande 35 Mise à zéro compteurs des pièces de monnaie dans les tubes rendeurs:

Cette commande sera utilisée lors de la substitution du monnayeur ou du vidage des tubes rendeurs quand la machine est éteinte pour synchroniser les compteurs avec le contenu réel des tubes rendeurs.

1. Mode de programmation, le display affiche-Commande 00
2. Introduire 35 et appuyer sur ENTER, le display affiche Code 0000
3. Taper 6203 et appuyer sur ENTER.

Commande 36 Condition de montant exact (manque de pièces de monnaie):

Par cette commande on programme - pour chaque tube de la monnaie - le numéro de pièces de monnaie au-dessous duquel la condition de manque de pièces de monnaie résulte réelle. La valeur programmée doit considérer le niveau minimum de pièces de monnaie dans les tubes (commande 32), autrement dit, cette valeur devra être supérieure au niveau minimum (exemple: si la commande 32 est programmée à 5, les valeurs de la commande 36 doivent être minimum 6). Les tubes qu'on ne souhaite pas inclure dans cette condition doivent être programmés à «0».

Quand le contenu de n'importe quel tube concerné par cette condition descend au-dessous de la valeur programmée, le message signalant le manque de pièces de monnaie s'affichera.

Commande 37 Inhibition du lecteur de billet de banque en condition de montant exact:

Si on entre cette commande à 1 en condition de montant exact, on met hors service le lecteur de billets de banque.

Remarque Si seul le lecteur de billets de banque a été installé, cette commande doit être réglée à 0.

Commande 38 Vidage tubes rendeurs récupération monnaie:

Cette commande est utilisée pour dresser un inventaire des monnaies présentes dans les tubes rendeurs du monnayeur. Pour obtenir la restitution par le tube rendeur 1 (monnaie avec valeur plus petite), on doit procéder comme suit:

1. Mode de programmation, le display affiche-Commande 00
2. Inscrire 38 et appuyer sur ENTER, le display affiche..... Tube No 00
3. Inscrire 1 et appuyer sur ENTER.

Le monnayeur commence à rendre la monnaie du tube rendeur sélectionné jusqu'au moment où on relâche la touche ENTER.

Commande 39 Remplissage tubes rendeurs récupération monnaie:

On doit procéder comme suit:

1. Mode de programmation, le display affiche-Commande 00
2. Inscrire 39 et appuyer sur ENTER
3. Insérer les monnaies dans le monnayeur
4. Appuyer de nouveau sur ENTER

Remarque Si le procédé n'est pas effectué correctement, on peut trouver des valeurs fausses aux commandes 09 et 10.

9.5 UTILISATION DES SYSTÈMES DE PAIEMENT EXECUTIVE STD/EXECUTIVE PRICE HOLDING

Commande 39 Remplissage tubes rendeurs récupération monnaie:

On doit procéder comme suit:

1. Mode de programmation, le display affiche-Commande 00
2. Inscrire 39 et appuyer sur ENTER
3. Insérer les monnaies dans le monnayeur
4. Appuyer de nouveau sur ENTER



Pour l'affichage du point décimal des prix sur l'écran il faudra programmer cette option dans le système de paiement.

Executive Standard ⇒ Commande 69 programmée à 0

Avec le système de paiement Executive standard, la gestion des prix a lieu directement dans le distributeur et non pas à l'intérieur du système de paiement.

Si, par exemple, on veut programmer la sélection 21 à 0,75 €, il faudra se tenir aux instructions suivantes:

- 1.1) Mode de programmation, le display affiche-Commande 00
- 1.2) Inscrire 03 et appuyer sur ENTER, le display affiche le message..... Sélection n°00
- 1.3) Inscrire 21 et appuyer sur ENTER, le display affiche Prix 00
- 1.4) Inscrire 75 et appuyer sur ENTER, le display affiche Sélection n° 00

Si on veut programmer une deuxième sélection il faudra répéter les opérations décrites ci-dessus, en partant du point 1.2; autrement il suffira d'appuyer deux fois sur la touche ESC.

Executive price-holding ⇒ Commande 69 programmée à 1

Avec le système de paiement Executive price-holding la gestion des prix est effectuée directement par le système de paiement.

Dans ce cas-là il faudra copier le tableau des prix (liste des prix) programmé dans le système de paiement sur la commande 03 du distributeur (du prix 1 au prix n), alors que sur la commande 05 on unira la sélection au prix relatif, tout en prenant comme référence le numéro du prix même.

Exemple: on veut programmer la sélection 11 à 0,35 €, il faudra se tenir aux instructions ci-après:

Si on suppose que le deuxième prix programmé dans le système de paiement est 0,35 €, alors:

- 1.1) Mode de programmation, le display affiche-Commande 00
- 1.2) Inscrire 03 et appuyer sur ENTER, le display affichePrix Numéro 00
- 1.3) Inscrire 02 (deuxième prix) et appuyer sur ENTER, le display affiche Prix 00
- 1.4) Inscrire 35 et appuyer sur ENTER, le display affichePrix Numéro 00
- 1.5) Appuyer sur ESC .Le display affiche Commande 00
- 1.6) Inscrire 05 et appuyer sur ENTER, le display affiche Sélection n°00
- 1.7) Inscrire 11 et appuyer sur ENTER, le display affichePrix Numéro 00
- 1.8) Inscrire 02 (deuxième prix) et appuyer sur ENTER, le display affiche Sélection n°. 00

Si on désire programmer une autre sélection il faudra répéter la séquence des opérations à partir du point 1.6; autrement appuyer deux fois sur la touche ESC.

Executive price-display ⇒ Commande 69 programmée sur 1

Avec le système de paiement Executive price-display les prix sont gérés par le système de paiement.

Sur la Commande 05 les prix pourront être associés à une sélection donnée en faisant référence au numéro du prix .

Exemple:

- 1.1) Saisir 05 et appuyer sur ENTER, l'écran affiche Sélection N° 00
- 1.2) Saisir le n° de la sélection et appuyer sur ENTER, l'écran affichePrix Numéro 00
- 1.3) Saisir par exemple 02 (deuxième prix) et appuyer sur ENTER, l'écran affiche Sélection N° 00

Pour programmer une autre sélection répéter les opérations à partir du point 1.1 autrement appuyer deux fois sur ESC.

10 RÉGLAGES

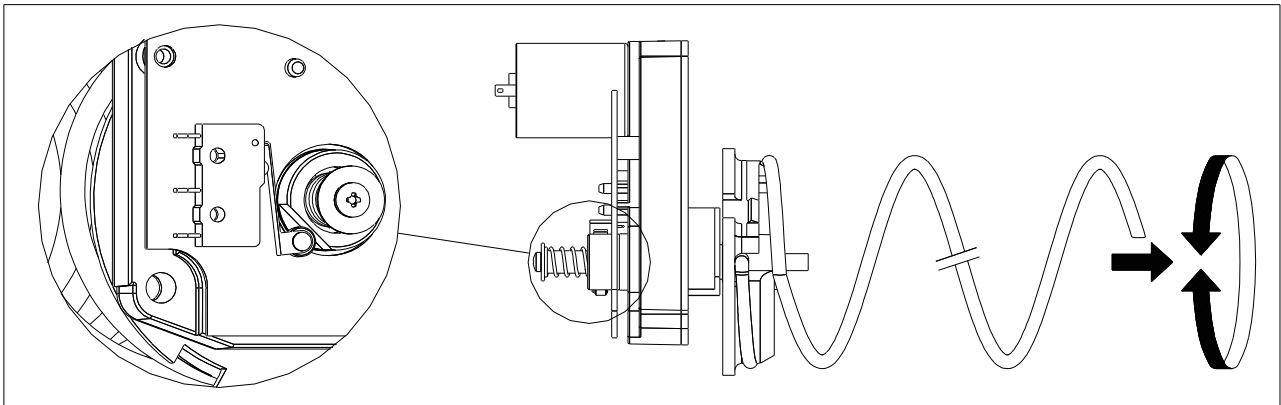
10.1 SPIRALES



On vend la plupart des produits sans problèmes quand l'extrémité de la spirale est positionnée à 6 heures. Pour modifier l'extrémité, il faut avancer la spirale jusqu'à ce que le cadre du support de spirales sorte du moteur, puis faire tourner la spirale dans la position désirée et relâcher. Par l'effet d'un ressort, le cadre reprendra sa position sur le moteur, pousser éventuellement pour le faire rentrer complètement.

Chaque spirale peut être tournée de 45 degrés chaque fois.

ATTENTION : lors de cette opération, veiller à ce que la came du micro-interrupteur du moteur se trouve toujours en position de repos. Pour ce faire, il suffit d'effectuer quelques distributions en modalité « TEST VEND » (voir paragraphe CLAVIER DES FONCTIONS/DE PROGRAMMATION).

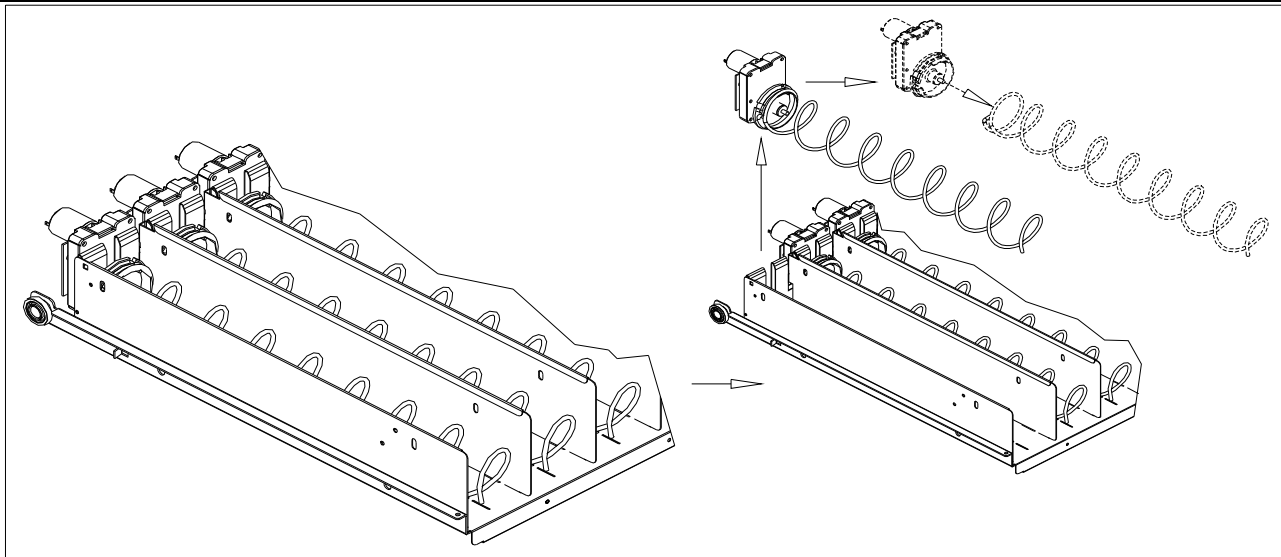


10.2 REMPLACEMENT D'UNE SPIRALE ET DU GROUPE MOTEUR ÉJECTEUR



Le distributeur est équipé de tiroirs avec des spirales de différents pas. Pour changer la quantité ou leur arrangement, agir comme suit :

- Éteindre la machine à l'aide de l'interrupteur général et débrancher la prise.
- Ouvrir la porte principale.
- Extraire le tiroir à modifier.
- Déconnecter le connecteur du groupe moteur-spirale et l'enlever.
- Enlever la spirale du support en plastique (faire pression entre la spirale et le support) et remonter l'autre spirale ou l'autre groupe moteur-éjecteur.
- Monter le nouveau groupe spirale en procédant en sens inverse. Une fois l'opération achevée, vérifier que l'extrémité de la spirale soit positionnée à 6 heures, autrement voir paragraphe « SPIRALES ».



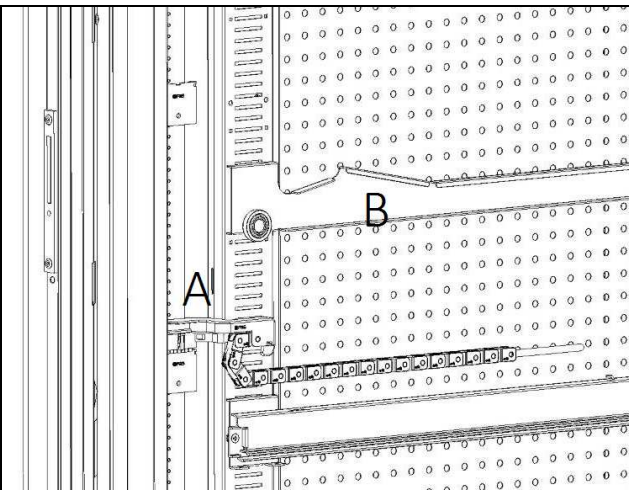


fig. 4

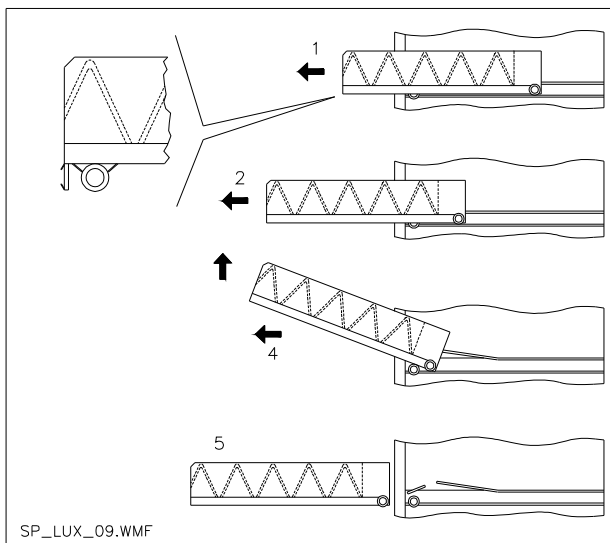


fig. 5

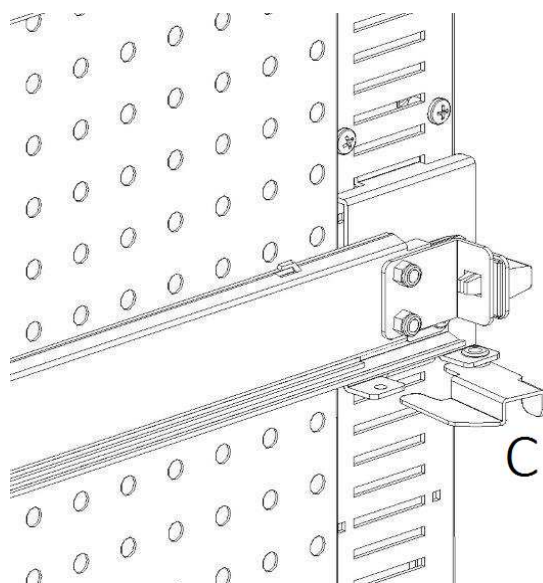


fig. 6

10.3 PROCÉDURE POUR L'EXTRACTION DES TIROIRS ⚠

Pour remplacer le tiroir agir de la manière suivante :

- Éteindre la machine à l'aide de l'interrupteur général et débrancher la prise.
- Ouvrir la porte principale.
- Débrancher le connecteur électrique -A-
- Ôter le tiroir en maîtrisant le blocage du ressort de positionnement (tirer avec douceur).
- Tirer le tiroir jusqu'à l'arrêt, puis soulever vers le haut, tourner vers le bas jusqu'à ce que la glissière se décroche et pour finir ôter-le de la machine.

Pour le montage d'un nouveau tiroir procéder de la manière suivante :

- Introduire le tiroir.
- Pousser jusqu'à ce que le tiroir s'enclenche dans la position de blocage.
- Introduire le connecteur électrique -A-
- Fermer la porte principale.
- Mettre la machine sous tension en agissant sur l'interrupteur général.

10.4 VARIATION TIROIRS ⚠

Les distributeurs à 6 tiroirs peuvent être transformés en distributeurs à 7 tiroirs de la manière suivante :

- Éteindre la machine à l'aide de l'interrupteur général et débrancher la prise.
- Ôter tous les tiroirs du distributeur automatique.
- Déplacer les glissières (réf. B) (la dernière en bas est déjà dans la position correcte il n'est donc pas nécessaire de la déplacer). Pour déplacer les glissières, agir sur le crochet (réf. C), puis tourner la glissière pour l'ôter et la replacer à la hauteur souhaitée.
- Déplacer les connecteurs (réf. A) situés sur le bord de la caisse.
- Ajouter deux glissières.
- Monter 7 tiroirs en contrôlant que les connecteurs soient bien introduits.
- Définir les nouveaux prix.

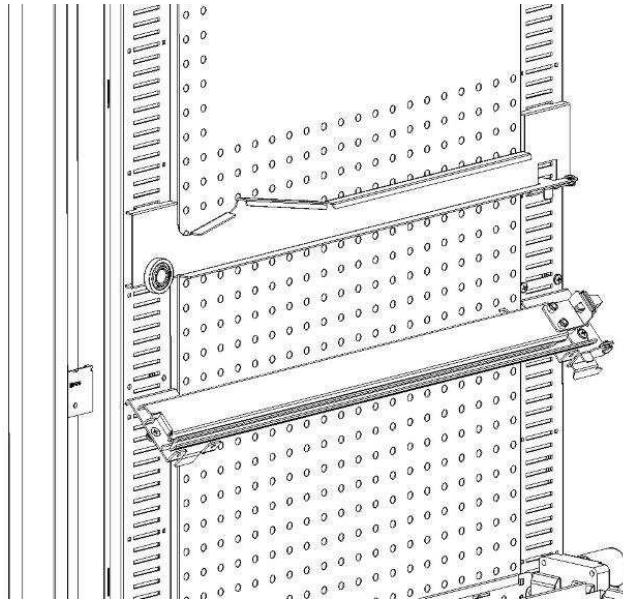


fig.7

10.5 PROCÉDURE DE REMPLACEMENT DU BORD DE GESTION DES TEMPÉRATURES

Pour pouvoir modifier la stratification des températures intérieures de la machine, utiliser le bord approprié comme décrit dans le **chapitre 3**. Pour remplacer les bords présents dans le D.A., procéder comme suit :

- Ôter les tiroirs comme décrit précédemment.
- Ôter tous les guides (réf. B).
- Agir sur la partie haute du bord percé en tirant vers l'intérieur de la machine comme illustré sur la **fig. 8**.
- Il est à présent possible de sortir le bord et de le remplacer par celui souhaité en procédant à l'inverse du démontage.

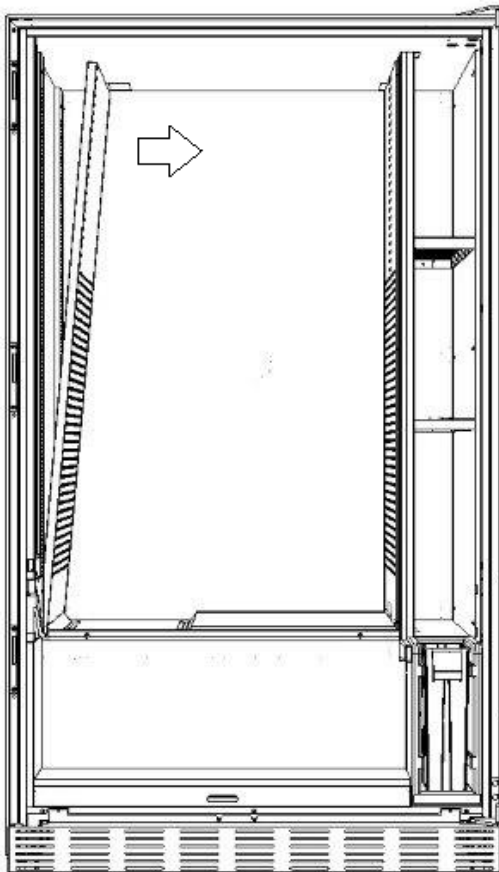
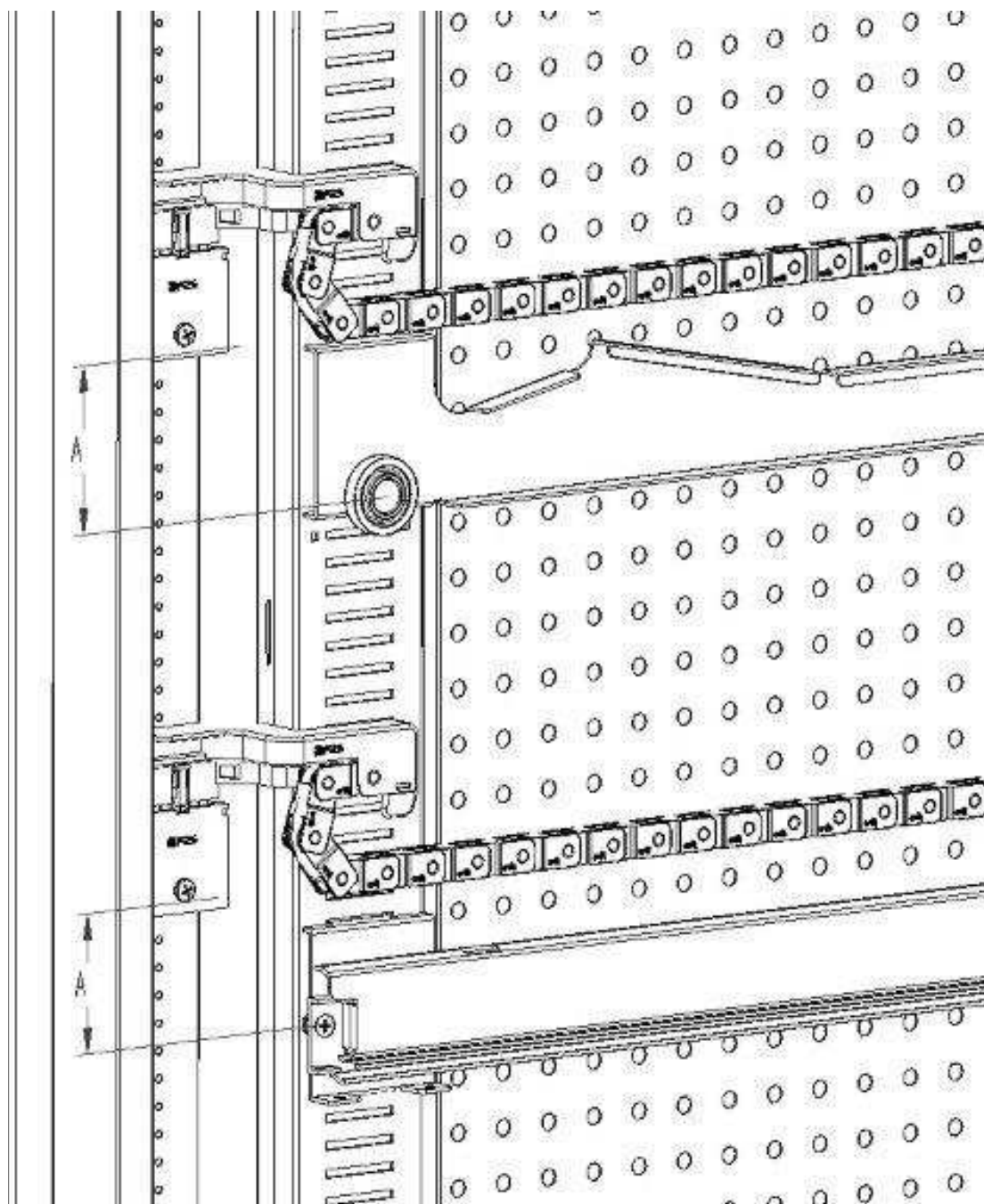


fig.8

10.6 DISPOSITION DE FIXATION DU CÂBLAGE DU TIROIR ⚠



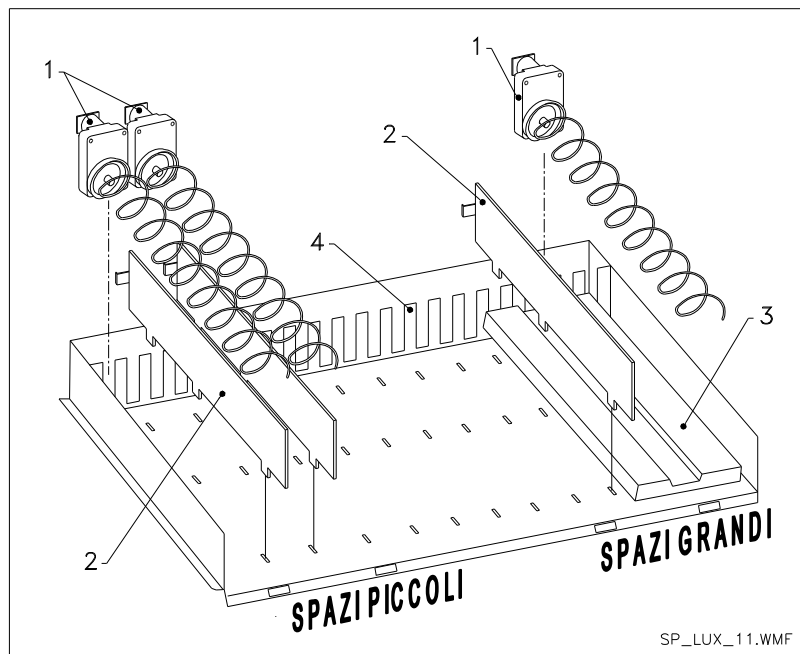
En cas de variation du nombre de tiroirs à l'intérieur du distributeur automatique, ou de toute façon en cas de reconfiguration de la disposition des tiroirs entre eux, pour un parfait coulisement du câblage lors de l'extraction du tiroir il est recommandé de se conformer scrupuleusement aux mesures conseillées et indiquées dans le tableau suivant :

TYPE DE TIROIR/GLISSIÈRE	MESURE « A » (mm)
Tiroir avec glissière standard 1	60
Tiroir avec glissière renforcée 2	70
Tout tiroir avec barre de déchargement pour bouteilles	110

10.7 INSTRUCTIONS POUR LA CONVERSION DES TIROIRS

D'un grand espace à deux petits espaces.

- Éteindre la machine à l'aide de l'interrupteur général et débrancher la prise.
- Ouvrir la porte.
- Ôter le cache du néon.
- Ôter le tiroir à modifier.
- Ôter le groupe moteur + spirale (réf. 1).
- Ôter le plateau (réf. 3).
- Remplacer la spirale avec un grand diamètre par une spirale avec un petit diamètre.
- Introduire le groupe moteur + spirale avec un petit diamètre dans la fente gauche du support réf. 4.
- Introduire le nouveau groupe moteur + spirale avec un petit diamètre dans la fente droite en le branchant au câblage déjà présent sur le tiroir.
- Ajouter la nouvelle séparation au milieu des deux spirales (réf. 2).
- Installer les nouvelles étiquettes des prix et sélections.
- Introduire le tiroir modifié en veillant à ce que le connecteur soit introduit.
- Programmer les nouvelles sélections au prix de vente désiré.
- Essayer les sélections modifiées pour s'assurer qu'elles fonctionnent correctement.



De deux petits espaces à un grand espace.

- Éteindre la machine à l'aide de l'interrupteur général et débrancher la prise.
- Ouvrir la porte.
- Ôter le cache du néon.
- Ôter le tiroir à modifier.
- Ôter les groupes moteur + spirale (réf. 1).
- Mettre de côté un groupe moteur + spirale et remplacer la spirale avec un petit diamètre par une spirale avec un grand diamètre sur l'autre groupe.
- Ôter le séparateur (réf. 2).
- Introduire le plateau (réf. 3).
- Introduire le groupe moteur + spirale avec un grand diamètre dans la fente centrale du support (réf. 4).
- Installer les nouvelles étiquettes des prix et sélections.
- Introduire le tiroir modifié en veillant à ce que le connecteur soit introduit.
- Programmer les nouvelles sélections au prix de vente désiré. **NOTE : Pour les sélections des grands espaces, les numéros de sélection seront impairs. EXEMPLE : Après conversion des sélections A1 et A2 en un seul compartiment, la sélection devient A1.**
- Essayer les sélections modifiées pour s'assurer qu'elles fonctionnent correctement.

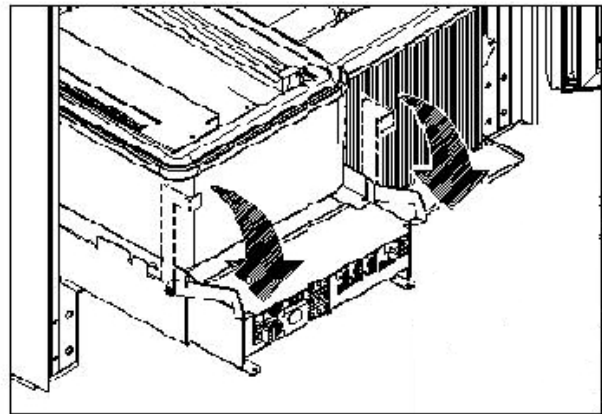
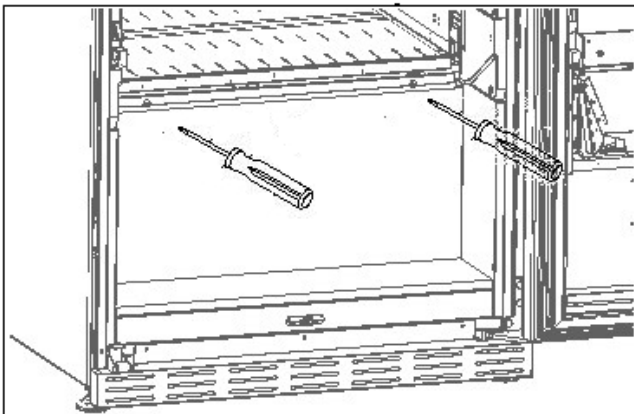
10.8 ACCÈS AU PANNEAU ÉLECTRIQUE ET AU GROUPE FRIGORIFIQUE

Pour accéder au panneau électrique ou au groupe de réfrigération, agir comme suit :

- Éteindre la machine à l'aide de l'interrupteur général et débrancher la prise.
- Ouvrir la porte.
- Au moyen d'un tournevis cruciforme, dévisser les deux vis qui fixent la poche de récupération des produits à la caisse. Ôter la poche.
- Pour ôter le groupe de réfrigération, baisser les deux leviers qui se trouvent sur les côtés du boîtier de l'évaporateur, en veillant à ce que le joint installé sur le bord supérieur du boîtier de l'évaporateur soit complètement dégagé de son logement, tirer en utilisant la poignée conçue à cet effet. ATTENTION aux câblages.
- Conformément au Règlement 517/2014/CE, les groupes frigo utiliseront des gaz réfrigérants alternatifs. Le groupe de réfrigération porte les étiquettes correspondantes pour reconnaître le type de gaz utilisé et sa charge. Le groupe de réfrigération est complètement hermétique : les éventuelles opérations de remplacement sur la machine ont besoin donc d'une simple opération mécanique. Par contre, si l'opérateur professionnel veut effectuer une réparation lui-même, il doit d'abord vérifier s'il a les connaissances et les outils corrects prévus pour le type de gaz indiqué .



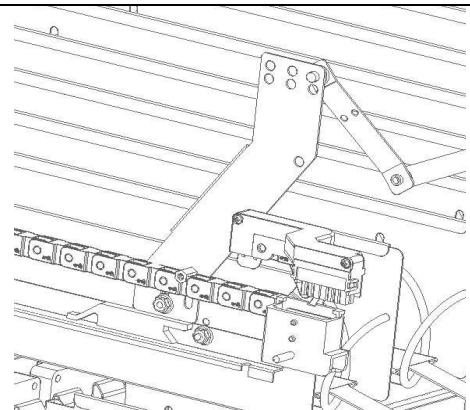
Tableau électrique : en ôtant la poche de récupération du produit, le distributeur complet reste sous tension. Pour isoler complètement le distributeur du réseau électrique, l'unique solution consiste à débrancher la fiche de l'interrupteur magnétothermique extérieur. Par conséquent, toutes les opérations qui requièrent que le distributeur soit sous tension avec la porte ouverte, doivent être effectuées exclusivement par un personnel qualifié et informé des risques spécifiques que comporte une pareille condition.



10.9 KIT DE DISTRIBUTION DES BOUTEILLES

La barre peut être placée sur 6 trous différents selon le type de bouteille chargée.

ATTENTION : la barre de déchargement des bouteilles ne doit pas être utilisée pour ôter le tiroir.



10.10 INSTRUCTIONS DE REMPLACEMENT DE L'APPAREIL D'ÉCLAIRAGE INTÉRIEUR



- Éteindre la machine à l'aide de l'interrupteur général et débrancher la prise.
- Ouvrir la porte principale.
- Ôter la protection de la source lumineuse.
- Remplacer la source lumineuse.
- Effectuer les opérations dans le sens inverse pour le montage.

11 INSTRUCTIONS DE NETTOYAGE






Ces activités doivent être effectuées par du personnel ayant une expérience pratique avec l'appareil en ce qui concerne la sécurité et l'hygiène.

Afin d'assurer un fonctionnement optimal du distributeur dans le temps, celui-ci doit être entretenu périodiquement. Ce chapitre est consacré aux opérations d'entretien et à leurs intervalles qui doivent cependant être considérés comme indicatifs car ils dépendent de différents facteurs tels que le type de produits utilisés, les conditions climatiques et en particulier l'humidité, etc. Ce chapitre ne décrit pas toutes les opérations requises de manière exhaustive. Toutes les opérations de nettoyage doivent être faites après avoir coupé l'alimentation électrique du distributeur. Il ne faut jamais utiliser des jets d'eau directs et/ou à haute pression pour laver le distributeur. Afin d'éviter les risques d'oxydation ou d'agression chimique en général, les surfaces en acier inoxydable et peintes doivent rester propres.

11.1 POINTS DE NETTOYAGE IMPORTANTS

En utilisant les produits de nettoyage, respecter rigoureusement les doses indiquées sur l'étiquette. Ne pas utiliser de détergents trop «agressifs» dans la mesure où ils pourraient endommager certaines pièces. Le fabricant décline toute responsabilité pour tout dommage résultant d'une mauvaise utilisation de ces détergents ou de l'utilisation d'agents toxiques.

Avec des produits de nettoyage (détergents chlorés ou similaires) 	Intérieur de la caisse (zone tiroirs), tiroirs, vitre d'exposition. Tout résidu de détergent, désinfectant ou aliment doit être éliminé avec une éponge humide avant la remise en marche de la machine.	À chaque recharge ou tous les 5 jours
---	--	---------------------------------------

Avec un aspirateur ou de l'air comprimé  	Éliminer la saleté du condenseur. Veiller à ce que l'air puisse passer entre l'avant et l'arrière du condensateur. Toujours nettoyer l'intérieur de la caisse après cette opération.	Mensuellement
---	---	---------------

Si cette opération n'est pas effectuée correctement, le système de réfrigération pourrait en être sérieusement endommagé.

11.2 INACTIVITÉ
























En prévision d'une longue période d'inactivité de la machine, il faut prendre des précautions appropriées pour éviter les situations dangereuses au démarrage ; une période d'inactivité est considérée comme longue si elle est supérieure à un mois.

En cas de longues périodes d'inactivité, il faut :

- Bien nettoyer la machine et la sécher ;
- La contrôler soigneusement et remplacer les pièces endommagées ou usées ;
- Vérifier les serrages des vis et des boulons ;
- Couvrir la machine après l'avoir entreposée dans un endroit protégé.

Le redémarrage du distributeur automatique doit être effectué conformément au paragraphe « Installation » de ce manuel, avec une attention particulière en cas de vente de produits alimentaires (voir paragraphe « Utilisation du distributeur automatique pour la vente de produits alimentaires »).

INHALTSVERZEICHNIS

1	VORWORT	2
1.1	IDENTIFIZIERUNG DES AUTOMATEN	2
1.2	LAGE DER AUFKLEBER	3
1.3	FÜHRUNG ZUM NACHSCHLAGEN	4
1.4	SICHERHEIT	5
2	VERWENDUNG DES VERKAUFSAUTOMATEN ZUR ABGABE VON LEBENSMITTELPRODUKTEN	10
2.1	SCHÄTZUNG DER AUSWIRKUNG VON TEMPERATUREINSTELLUNGEN AUF LEBENSMITTELABFÄLLE	10
3	TECHNISCHE MERKMALE	11
4	TÜRKOMPONENTEN	15
5	INNENKOMPONENTEN.....	16
6	TRANSPORT, BEWEGEN, LAGERUNG, AUSPACKEN	17
6.1	TRANSPORT UND LAGERUNG  	17
6.2	AUSPACKEN  	17
6.3	INSTALLATION  	18
6.4	BEMERKUNG ZUR INSTALLATION.....	19
6.5	ANSCHLUSS ZAHLUNGSSYSTEM.....	19
7	BEMERKUNG ZUR VERSCHROTTUNG DES AUTOMATEN	19
8	EINWIRKUNG AUF DEN AUTOMATEN.....	20
8.1	BEFÜLLUNG MIT WARE 	20
8.1.1	HINWEISE ZUM EINFÜLLEN DES AUTOMATENGUTES 	20
8.2	TRENNWÄNDE FÜR PRODUKTE IN DEN SCHUBLADEN.....	21
8.3	AUSSTOBER FÜR PRODUKTE	21
8.4	VERKAUFSSVERFAHREN	21
9	TASTATUR FUNKTIONEN/PROGRAMMIERUNG  	22
9.1	AUSWAHL PRÜFEN	22
9.2	LISTE BEFEHLE.....	23
9.2.1	ZUGRIFF AUF DIE UNTERMENÜS.....	24
9.2.2	EINSTELLUNG TEMPERATURPARAMETER.....	28
9.2.3	ANLAGE MASCHINENPARAMETER	29
9.3	VERWENDUNG DES MÜNZGERÄTES BDV	41
9.4	VERWENDUNG ZAHLSYSTEME MDB	43
9.5	VERWENDUNG EXECUTIVE std/EXECUTIVE-PRICE HOLDING ZAHLUNGSSYSTEMEÜ	45
10	REGELUNGEN	46
10.1	SPIRALEN	46
10.2	ERSATZ SPIRALEN UND AUSSTOSSMOTOR	46
10.3	VORGEHENSWEISE FÜR DIE ENTFERNUNG DER SCHUBLADEN  	47
10.4	ÄNDERUNG DER SCHUBLADENZAHL  	47
10.5	VORGEHENSWEISE BEIM WECHSEL DER SEITENWAND ZUR TEMPERATURSTEUERUNG  	48
10.6	LAGE FÜR DIE BEFESTIGUNG DES SCHUBLADENKABELS  	49
10.7	ANLEITUNG FÜR DIE Umgestaltung der Schubladen  	50
10.8	ZUGRIFF AUF DEN SCHALTKASTEN UND DAS KÜHLAGGREGAT  	51
10.9	KIT FLASCHENAUSTEILUNG 	51
10.10	ANLEITUNG FÜR DEN AUSTAUSCH DER INNENBELEUCHTUNG.....	51
11	REINIGUNGSANWEISUNGEN	52
11.1	WICHTIGE REINIGUNGSPUNKTE	52
11.2	STILLSTAND	52

1 VORWORT



Der Inhalt dieses Handbuchs wurde für das best ausgestattete Modell verfasst: Es ist also möglich, auf Bezeichnungen und Erläuterungen zu treffen, die nicht für das eigene Gerät gelten.

Diese Unterlagen sind ein wesentlicher Bestandteil des Geräts. Deswegen müssen sie ihm in seinen Eigentumsübergängen oder Betriebsumstellungen immer nachfolgen.

Vor der Aufstellung und Verwendung des Automaten muß man diese Betriebsanleitung sorgfältig lesen und ihren Inhalt gut verstehen, denn sie gibt bedeutende Informationen bezüglich der Installationssicherheit, der Verwendungsnormen und der Wartungsoperationen.

Das vorliegende Handbuch soll alle notwendigen Informationen liefern, damit das zum Betreiben der Maschine und das zur normalen Wartung derselben eingeteilte Personal in sicheren Verhältnissen tätig werden kann.

Wir raten darüber hinaus, mit der Herstellerfirma für jede notwendige Information über Ersatzteile oder Zubehör in Verbindung zu treten; Es ist auf jeden Fall verboten, Tätigkeiten vorzunehmen, deren genaue Art nicht verstanden wurde.

Die Gebrauchsanweisung oder eine Kopie derselben muß sich immer in Nähe der Maschine für ein Nachschlagen durch den Bediener befinden.; Es muss an einem vor Hitze, Feuchtigkeit und Korrosionsmitteln geschützten Ort aufbewahrt werden (Öl, Schmiermittel, korrosive Produkte).

Das Handbuch muß so nachgeschlagen werden, daß es nicht beschädigt wird, es dürfen keine Seiten herausgetrennt, Informationen ersetzt oder gelöscht oder auf irgendeine Weise sein Inhalt geändert werden. Die möglichen Aktualisierungen und die Anschauungsblätter der Zubehörteile sollen das vorliegende Handbuch ergänzen und müssen ihm demgemäß beigelegt werden.

Die folgende Adresse eingeben, um auf den Online-Ersatzteilbereich zuzugreifen:

<https://ricambi.fas.it>

Die Energieverbrauchskennzeichnung befindet sich in der Bedienungsanleitung für die vorgeschriebenen Zwecke. Bitte beachten Sie, dass die Energieverbrauchskennzeichnung nur am Automaten in der Verkaufsstelle angebracht werden darf: d.h. der Ort, an dem Kühlgeräte mit direkter Verkaufsfunktion ausgestellt oder zum Verkauf, zur Vermietung oder zum Mietkauf angeboten werden.

Beachten Sie ferner, dass die Angaben auf der Energieverbrauchskennzeichnung nicht mehr gültig sind, wenn das Gerät von einem Dritten umgebaut wird (Beispiel zur Veranschaulichung: Montage von Peripheriegeräten).

Wenn die Daten überprüft werden müssen, scannen Sie den QR-Code in der oberen rechten Ecke der Kennzeichnung: werden Sie mit der Europäischen Produktdatenbank EPREL verbunden, wo Sie die Originale der deklarierten Daten finden.

1.1 IDENTIFIZIERUNG DES AUTOMATEN

Die ersten Seiten dieses Heftes erklären, wie den VERKAUFSAUTOMATEN zu identifizieren, was sich als sehr wichtig erweisen wird, um unsere Leistungen bezüglich der Ersatzteile effizienter und kurzfristiger zu erbringen. Darüber hinaus können wir Ihnen damit möglichst bald sichere technische Informationen geben.

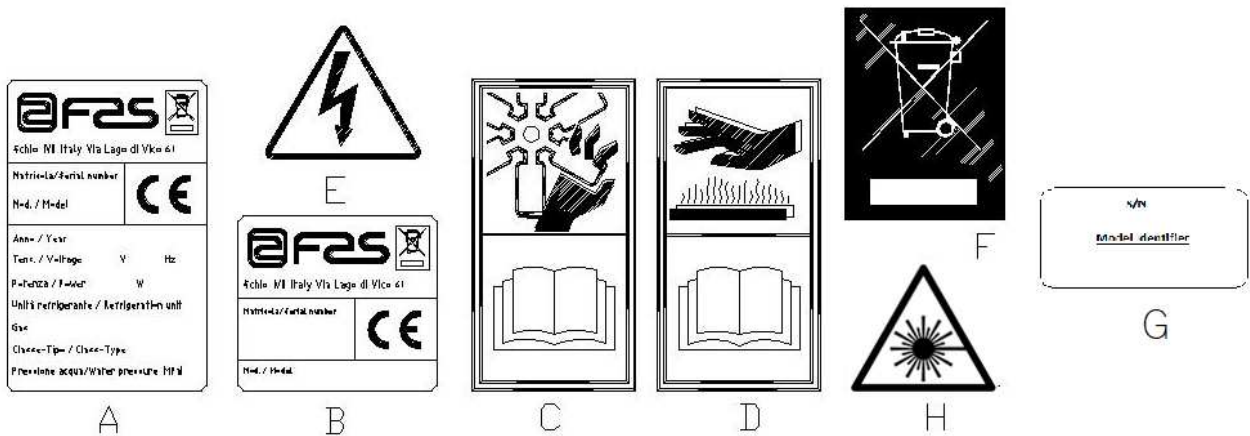


Die angebrachten Sicherheitsaufkleber und Gerätekennungen dürfen weder unleserlich gemacht noch entfernt werden.

Das Typenschild ist das Kunststoffschild mit allen Angaben, die im Bedarfsfall dem Hersteller mitzuteilen sind.

Es ist das einzige Schild, das vom Hersteller als Identifikationsmittel des Produktes anerkannt ist.

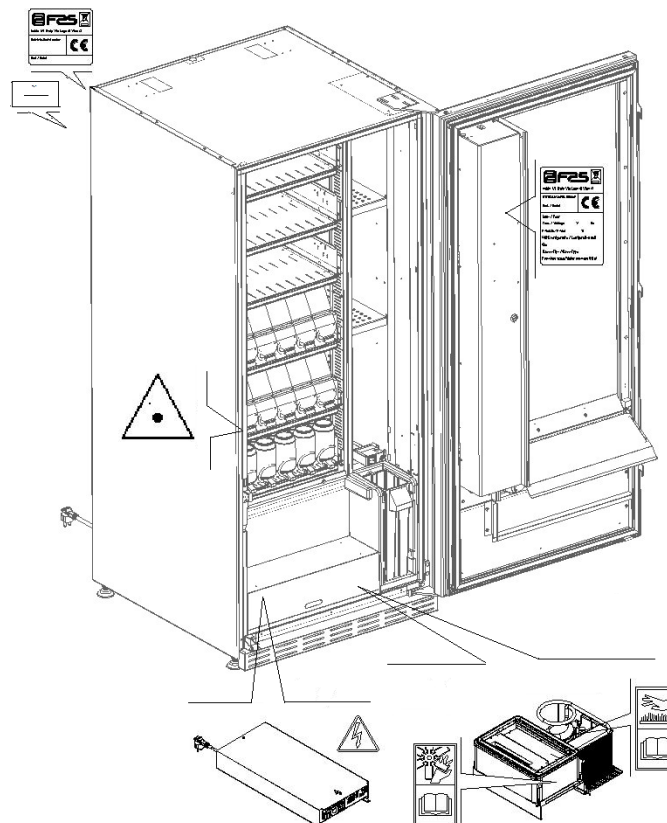
1.2 LAGE DER AUFKLEBER



C	Vollständiges Identifikationsschild
B	Identifizierungsschild
C	Sicherheitsaufkleber zur Warnung vor Drehvorrichtungen
D	Sicherheitsaufkleber zur Warnung vor heißen Oberflächen
E	Sicherheitsaufkleber zur Warnung vor Stromspannung
F	Beseitigung in Übereinstimmung mit WEEE, nach der Umsetzung in einzelstaatliches Recht.
G	Typenschild der Energieklasse
H	(LED-BELEUCHTUNG) LASERSTRAHLUNG - BITTE NICHT LÄNGERE ZEIT IN DEN STRAHL BLICKEN - LASERPRODUKT DER KLASSE 2






Das vollständige Typenschild "A" mit allen Maschinendaten ist innerhalb des Gehäuses angebracht (siehe nachstehendes Schema). Sollte die Gehäuseseite mit Siebdrucken versehen sein, wird das Schild "B" oben rechts auf der Rückseite des Gehäuses angebracht.

Außerdem ist auf den wichtigsten Gerätekomponenten (Kompressorkarten, Ventilatoren etc.) die Seriennummer angegeben.



DEUTSCH

1.3 FÜHRUNG ZUM NACHSCHLAGEN



SYMBOL	BEDEUTUNG	BEMERKUNG
	GEFAHR	Zeigt eine Gefahr, auch Lebensgefahr für den Bediener an.
	WARNUNG	Zeigt eine Warnung oder eine Bemerkung zu Schlüsselfunktionen oder nützlichen Informationen an. Die höchste Aufmerksamkeit bei Testblöcken walten lassen, die mit diesem Symbol gekennzeichnet sind. Vom Wartungspersonal wird verlangt, dass es einen Messwert ermittelt, einer Meldung nachgeht, die richtige Position eines beliebigen Geräteelementes überprüft etc., bevor ein bestimmter Befehl oder eine bestimmte Tätigkeit ausgeführt wird.
	ORDENTLICHE WARTUNG	<i>Unter ordentlicher Wartung versteht man folgendes:</i> Nachfüllung, Eingabe von Kontrollparametern, Inkasso und Reinigung der mit Nahrungsmitteln in Berührung kommenden Bereiche.
	AUSSERORDENTLICHE WARTUNG	<i>Unter außerordentlicher Wartung versteht man folgendes:</i> Mehr oder weniger komplexe Wartungen (mechanische, elektrische etc.) unter besonderen Bedingungen, die mit dem Benutzer abgestimmt sind und nicht der ordentlichen Wartung zuzurechnen sind.
	RECYCLING	Verpflichtung, die Materialien unter Berücksichtigung der Umwelt zu entsorgen.

Schenken Sie außerdem den dick- oder in Großbuchstaben gedruckten bzw. unterstrichenen Texten besondere Aufmerksamkeit, da sich diese stets auf besonders wichtige Tätigkeiten oder Informationen beziehen.

Die beiliegenden Schaltpläne sind ausschließlich zur Durchführung von außerordentlichen Wartungen und Kontrollen durch die vom Hersteller zugelassenen Fachtechniker bestimmt.

Im Folgenden ist hier mit Bezugnahme auf die Maschine unter dem Begriff "vor" oder "Vorder..." die Türseite gemeint, während die Begriffe "hinten" oder "Hinter..." die gegenüberliegende Seite bezeichnen; die Begriffe "rechts" und "links" beziehen sich auf Techniker, der sich an der Gerätevorderseite befindet und zu diesem gewendet ist.

Für jede notwendige Arbeit am Gerät werden im folgenden die Qualifikationsstufen genannt, die das Personal hierzu berechtigt.

Endbenutzer	Personal ohne spezielle Erfahrung, das nur durch Benutzung der Gerätebefehle oder durch Befolgung der Displayanweisungen zu Erwerb und Entnahme des Produktes in der Lage ist
Mit der ordentlichen Wartung Beauftragter	Personal, das zu den in der vorhergehenden Qualifikationsstufe genannten Vorgängen fähig ist und darüber hinaus die in diesem Handbuch enthaltenen und durch das Symbol  gekennzeichneten Tätigkeiten durchführen kann
Mit der außerordentlichen Wartung Beauftragter	Personal, das zu den in den vorigen Qualifikationsstufen genannten Vorgängen fähig ist und außerdem die in diesem Handbuch enthaltenen und durch die beiden Symbole  gekennzeichneten Tätigkeiten durchführen kann. In einigen Fällen müssen die Fachtechniker in der Lage sein, auch bei nicht aktivierten Schutzvorrichtungen, d. h. unter bedenklichen Sicherheitsbedingungen arbeiten zu können. Alle Arbeiten an beweglichen bzw. unter Spannung stehenden Elementen sind jedoch nur Ausnahmefällen vorbehalten, nachdem die Unmöglichkeit zur Arbeit unter angemessenen Sicherheitsbedingungen abgeklärt wurde. Der Zugriff auf diese Bereiche darf ausschließlich Personen gestattet werden, die das Gerät kennen und praktische Erfahrung mit ihm haben, insbesondere was die Sicherheit und Hygiene anbetrifft.

Die in diesem Handbuch für jede Lebensphase des Gerätes beschriebenen Arbeitsvorgänge wurden vom Hersteller sorgfältig dahingehend analysiert, daß die erforderliche Anzahl und Qualifikation der Arbeiter für jeden Vorgang die bestmögliche Alternative zur Ausübung der Funktion darstellt.

1.4 SICHERHEIT

Dieses Gerät darf nicht von Kindern unter 8 Jahren, Personen mit eingeschränkten physischen, sensorischen oder geistigen Fähigkeiten oder mit unzureichender Erfahrung und Kenntnissen verwendet werden, sofern sie nicht sorgfältig überwacht oder in die sichere Verwendung des Geräts und die damit verbundenen Gefahren eingewiesen wurden.



Der Gebrauch nicht originaler Zubehörteile und Komponenten kann die Maschinensicherheit beeinträchtigen. Fas übernimmt keine Haftung für die Verwendung von nicht originalen Teilen oder Zubehör. In diesem Fall werden alle Ansprüche auf Ersatz unmittelbarer oder mittelbarer Schäden, die aufgrund dieser Verwendung entstehen, ausgeschlossen. Die Vielzahl auf dem Markt gehandelter ähnlicher Produkte macht es Fas unmöglich, diese Komponenten zu prüfen. Achtung: Der Gebrauch nicht originaler Teile und Ersatzteile kann zum Verfall der gesamten Gewährleistungsrechte für die Maschine führen.



Der Verkaufsautomat wurde unter Berücksichtigung der geltenden Vorschriften hergestellt und auf seine Sicherheit geprüft.
Das Versorgungskabel ist ein Kabel mit nicht abtrennbarem Stecker. Das Verbindungskabel darf nur von Fachleuten ausgewechselt werden.
Jeder nicht im Zuge der ordentlichen Wartung vorgenommene Eingriff ist bei gezogenem Stromstecker vorzunehmen.



Es ist geeignete Kleidung gemäß den Erläuterungen dieses Handbuches und den geltenden Landesvorschriften des Standortstaates zu tragen. Unter allen Umständen sind weite und wehende Kleidungsstücke, Gürtel, Ringe und Kettchen zu vermeiden. Längere Haare sind unter einer entsprechenden Kappe zu bändigen.

Es ist unter allen Umständen verboten, das Gerät bei abmontierten festen bzw. beweglichen Schutzvorrichtungen oder ausgeschalteten Sicherheitseinrichtungen zu betreiben.

Die Entfernung oder Manipulierung der Sicherheitsvorrichtungen ist strikt verboten.

Keine Wartung oder Einstellung vornehmen, wenn nicht der Inhalt dieses Handbuches gelesen und vollständig angeeignet wurde.

Einstellungen bei verringerten Sicherheitsbedingungen oder teilweise ausgeschalteten Schutzvorrichtungen dürfen nur von einer Einzelperson durchgeführt werden. Während der Arbeiten ist unbefugten Personen der Zugang zum Gerät zu verwehren. Möglichst immer nur eine Schutzvorrichtung gleichzeitig offen halten.



Nach unter ungünstigeren Sicherheitsbedingungen durchgeführten Einstellungs- und Wartungsarbeiten ist so schnell wie möglich der Gerätezustand mit Aktivierung aller Schutzvorrichtungen wiederherzustellen.

Die sorgfältige Einhaltung der in diesem Handbuch aufgeführten Wartungstermine ist unabdingbar einerseits zur Arbeit unter sicheren Bedingungen, andererseits zur Aufrechterhaltung der perfekten Funktionsfähigkeit des Gerätes.

Untersuchen Sie die Sicherheitsschildchen auf ihren einwandfreien Zustand und eignen Sie sich ihre Bedeutung an: Sie sind notwendig zur Unfallverhütung. Sind sie abgenutzt, verloren gegangen oder befanden sie sich auf ersetzten Bestandteilen, müssen andere bei der Herstellerfirma bestellte Originalschilder an ihre Stelle treten, wobei sie genau in der hier beschriebenen Position anzubringen sind



Es soll daran erinnert werden, dass ein vorsichtiger Techniker in stabilem psychischem Zustand die beste Versicherung gegen jede Art von Unfall bietet.



Es ist strikt verboten, sich der Schaltpläne zum Zwecke von Umbauten am Gerät zu bedienen.



Der Einsatz einer anderen Anzahl oder von jeweils unterqualifizierten Technikern kann die Sicherheit der mit den Arbeiten befaßten und anderer Personen in Gerätenähe gefährden.



Die vom Verkaufsautomaten ausgegebenen Lebensmittelprodukte müssen sich in hermetisch dicht versiegelten Packungen befinden.

Halten Sie sich strikt an die jeweiligen Herstellerangaben über das Verfallsdatum und die Aufbewahrungstemperatur der Produkte.

Der Verkaufsautomat ist als Gerät anzusehen, das zur Aufrechterhaltung der Produkttemperatur und **NICHT** zu dessen Kühlung geeignet ist.

Bei frischen oder leicht verderblichen Nahrungsmittel sowie in allen von den geltenden Gesetzesvorschriften vorgesehenen Fällen ist es notwendig:

Die Temperatur im Innern des Verkaufsautomaten im Einklang mit den geltenden Gesetzen zu regeln.

Die Produkte während des Transportes zum Verkaufsautomaten bei von den geltenden Gesetzen vorgeschriebenen Temperaturen aufzubewahren.



Dieser Verkaufsautomat ist mit der Einrichtung "Kühlungssicherung" ausgestattet und entspricht damit den in einigen Ländern geltenden Vorschriften zur Aufbewahrung frischer Lebensmittel. Diese lassen sich unter den vom Handbuch vorgesehenen Bedingungen lagern, sofern sie bereits mit der richtigen, vorschriftsmäßigen Temperatur eingefüllt werden.

Wird die Regel nicht beachtet, besteht die Möglichkeit, daß die "Kühlungssicherung" ausgelöst wird.



Um den einwandfreien Betrieb des Automaten zu gewährleisten, dürfen die Positionen der Warenfächer nicht verändert werden.



ACHTUNG:

Der Verkaufsautomat in der Ausführung "T.A." (Umgebungstemperatur) ohne Kühlaggregat darf NICHT zum Vertrieb von Nahrungsmittelprodukten



Im Falle eines Brandes keine Wasserstrahlen gegen das Gerät richten, da auf diese Weise ausgelöste Kurzschlüsse Unfälle auch mit Lebensgefahr für alle Anwesenden verursachen könnten.



Stellen Sie die Maschine durch Umlegen des Hauptschalters aus, bevor Sie mit der Reinigung beginnen. Den Automaten nicht mit direktem Wasserstrahl und/oder Hochdruck reinigen.



Das Münzgerät nie in Wasser tauchen
Keine schmirgelnden Materialien verwenden
Keine Schmierstoffsprays verwenden





Keine explosiven Stoffe wie Aerosoldosen mit einem brennbaren Treibmittel in diesem Gerät aufbewahren.




Dieses Gerät ist für den Einsatz in Haushalts- und ähnlichen Anwendungen bestimmt, z. B.:

- Küchenbereiche für Mitarbeiter in Geschäften, Büros und anderen Arbeitsumgebungen;
- Bauernhäuser und durch Gäste in Hotels, Motels und anderen Wohneinrichtungen;
- Frühstückspensionen;
- Catering und ähnliche Anwendungen (nicht Einzelhandel).

	<p>Das Gerät muss an ein Stromversorgungsnetz mit vorschriftsmäßiger Erdung angeschlossen werden. Es wird empfohlen, das Stromversorgungsnetz des Automaten mit einer Trennvorrichtung zu versehen, die einen Kontaktabstand von mindestens 3 mm besitzt. Nach der Installation muss der Stecker zugänglich sein. Der Gebrauch von Verlängerungen, Adaptern oder Mehrfachsteckdosen ist verboten.</p>
	<p>ACHTUNG: Beim Aufstellen des Geräts sicherstellen, dass das Netzkabel nicht eingeklemmt oder beschädigt ist.</p>

2 VERWENDUNG DES VERKAUFSAUTOMATEN ZUR ABGABE VON LEBENSMITTELPRODUKTEN


	<p>ACHTUNG: Festlegung und Einstellung der Aufbewahrungstemperaturen für die Lebensmittelprodukte haben im Einklang mit den Herstellerangaben und den geltenden Gesetzesvorschriften zu erfolgen. Mit diesen Aktivitäten ist entsprechend qualifiziertes Personal zu betrauen, welches vom Gerätebetreiber zu ernennen ist.</p>
---	--

Durch den Verkaufsautomaten können Lebensmittelprodukte vertrieben werden.

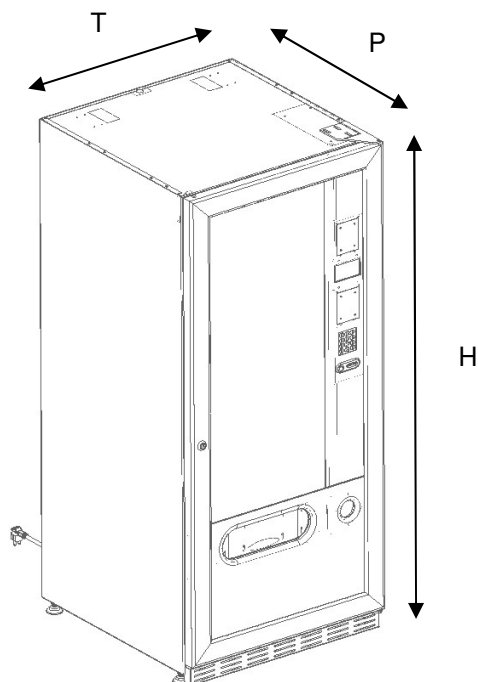
Folgende Lebensmittel können verkauft werden:

- Bonbons, Nüsse, Kaugummi und ähnliche Süßwaren
- Kekse, Cracker und ähnliche Ofenprodukte
- Speisen mit einem pH-Wert nicht über 4,6 oder mit einem Wasseraktivitätswert (Aw), der bei 25°C nicht über 0,85 liegt
- Speisen, die für den vom Hersteller angegebenen Zeitraum, aber auf keinen Fall länger als 5 Tage, bei einer Temperatur von nicht über 5°C aufbewahrt werden.
- Speisen in luftdicht versiegelten Behältern
- Speisen, die durch Behandlung länger haltbar gemacht worden sind

2.1 SCHÄTZUNG DER AUSWIRKUNG VON TEMPERATUREINSTELLUNGEN AUF LEBENSMITTELABFÄLLE

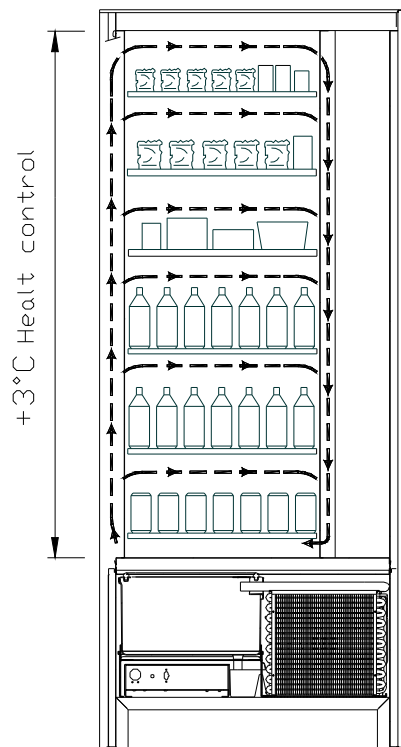
	<p>ACHTUNG: Durch die Verwendung der richtigen Programmierungsparameter können Lebensmittelprodukte bis zu ihrer natürlichen Frist verwaltet und so die Abfälle minimiert werden. Man empfiehlt hingegen eine richtige HACCP-Analyse, um Sicherheitseinstellungen für den Kühlschrank (Health Control) zu erhalten, die nicht zu eng in Bezug auf die Außentemperaturparameter sind: Wir weisen darauf hin, dass alle verderblichen Produkte nach einer Aktivierung der Sicherheitsfunktion entsorgt werden müssen.</p>
---	--

3 TECHNISCHE MERKMALE



Höhe	H = 1830 mm (YOUNG 183) H = 1700 mm (YOUNG 170)
Breite	L = 750 mm
Tiefe	P = 790 mm
Gewicht (ohne Verpac.)	239 kg (YOUNG 183) 224 kg (YOUNG 170)
Nennspannung	siehe Typschild
Nennleistung	siehe Typschild
Grenzwerte der Umgebungsbedingungen für den Betrieb	Umgebungstemperatur max. 32°C Umgebungstemperatur min. 3°C Relative Feuchtigkeit 65% max
Kühlungssystem	Kompression - Klasse N - Belüfteter Verdampfer - Zyklische Enteisung
Verkaufssystem	FIFO
Entnahmeklappe	1
Max Gewicht je Schublade	15 kg Gleichmäßig verteilt 30 kg Gleichmäßig verteilt (nicht senkbare schienen)
Bewerteter Schalldruckpegel „A“	Niedrig als 70 dB

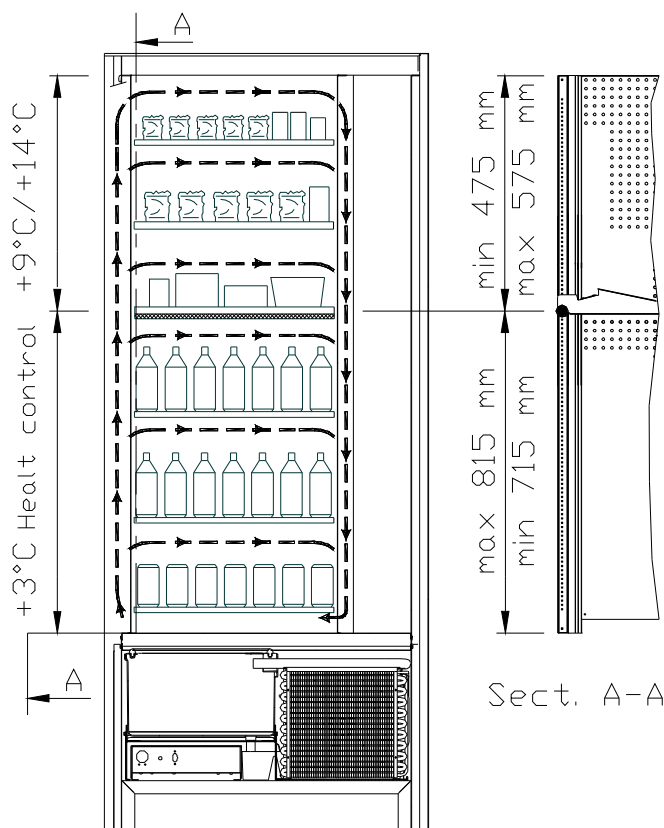
YOUNG 183 1T



- Sämtliche Schächte können für eine Temperatur von +3°C eingestellt werden, die eine einwandfreie Aufbewahrung von solchen Lebensmitteln ermöglicht, die bei höheren Temperaturen verderben würden. In diesem Bereich ist entsprechend den "HACCP"-Normen (hazard analysis and critical control points) eine Kontrolle mit der Bezeichnung "Kühlsicherung" vorhanden, die die Abgabe des Produktes sperrt, wenn die Temperatur überschritten wird, bei der das Produkt verderben kann.

YOUNG 2T schafft mit einem elektronischen System die folgenden zwei Bereiche mit unterschiedlichen Temperaturen:

➤ YOUNG 183 2T

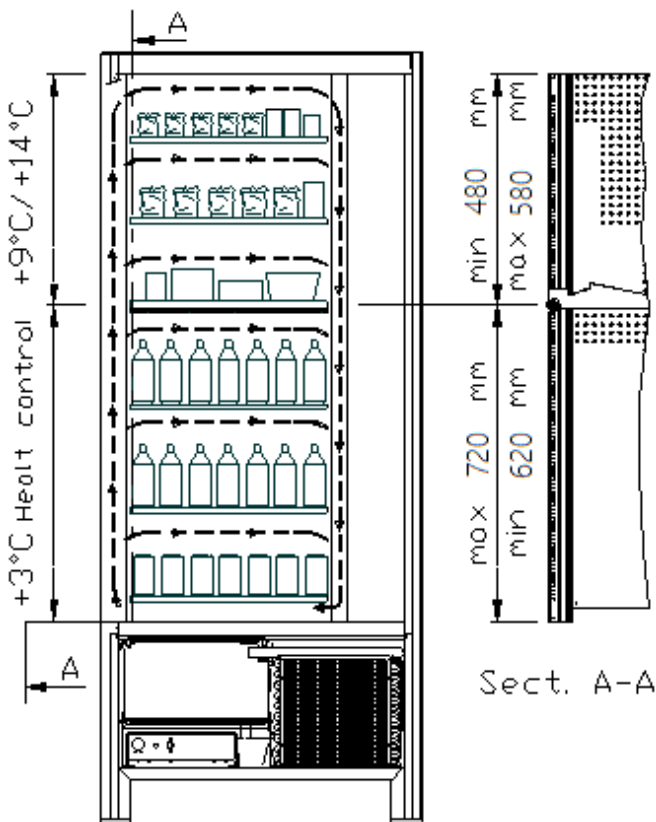


- **Der Bereich der oberen Schächte**, in dem die Temperatur von +9°C bis +14°C geschichtet ist und sich ideal für lang haltbare Produkte eignet.
- **Der Bereich der unteren Schächte**, in dem die Temperatur auf +3°C eingestellt werden kann. Hier lassen sich Nahrungsmittel aufbewahren, die bei höheren Temperaturen verderben würden. In diesem Bereich ist entsprechend den "HACCP"-Normen (hazard analysis and critical control points) eine Kontrolle mit der Bezeichnung "Kühlsicherung" vorhanden, die die Abgabe des Produktes sperrt, wenn die Temperatur überschritten wird, bei der das Produkt verderben kann.

Die beiden Bereiche sind durch eine

Dämmplatte voneinander getrennt.

➤ YOUNG 170 2T



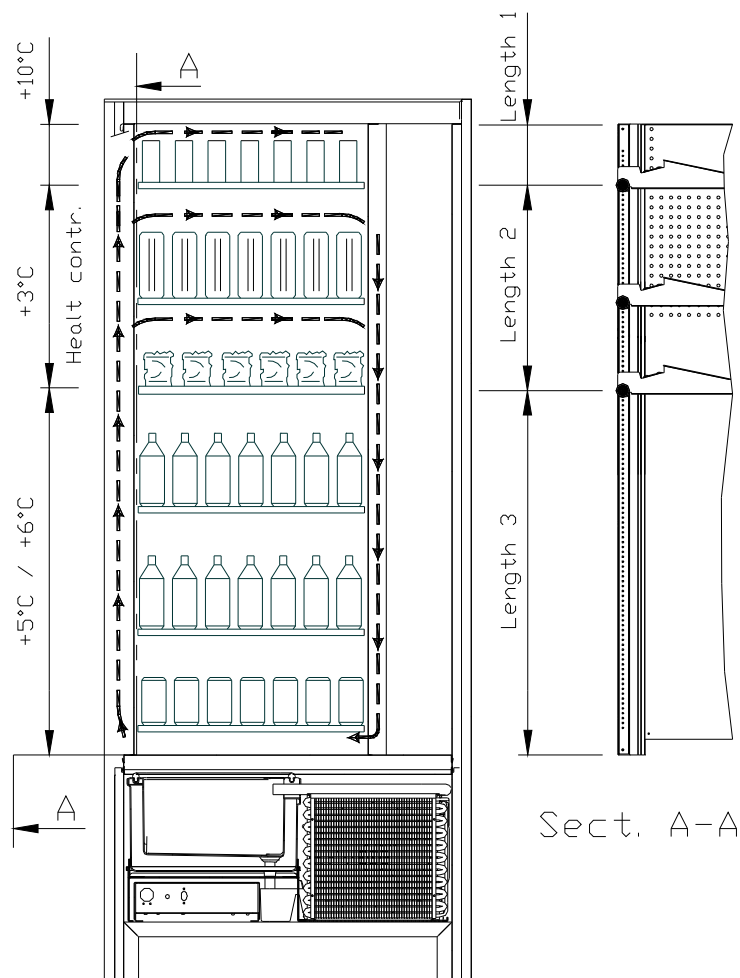
- **Der Bereich der oberen Schächte**, in dem die Temperatur von +9°C bis +14°C geschichtet ist und sich ideal für lang haltbare Produkte eignet.
- **Der Bereich der unteren Schächte**, in dem die Temperatur auf +3°C eingestellt werden kann. Hier lassen sich Nahrungsmittel aufbewahren, die bei höheren Temperaturen verderben würden. In diesem Bereich ist entsprechend den "HACCP"-Normen (hazard analysis and critical control points) eine Kontrolle mit der Bezeichnung "Kühlsicherung" vorhanden, die die Abgabe des Produktes sperrt, wenn die Temperatur überschritten wird, bei der das Produkt verderben kann.

Die beiden Bereiche sind durch eine Dämmplatte voneinander getrennt.

YOUNG 183 3T (jedes Produkt wird bei optimaler Temperatur aufbewahrt).

YOUNG 3T schafft mit einem elektronischen System die folgenden drei Bereiche mit unterschiedlichen Temperaturen:

- **Bereich des oberen Schachtes**, in dem die Temperatur von etwa $+10^{\circ}\text{C}$ ideal für lang haltbare Produkte ist.
- **Bereich der mittleren Schächte**, in denen die einstellbare Temperatur von $+3^{\circ}\text{C}$ die sachgerechte Lagerung von Lebensmitteln gestattet, die bei höheren Temperaturen leicht verderblich wären. In diesem Bereich ist entsprechend den "HACCP"-Normen (hazard analysis and critical control points) eine Kontrolle mit der Bezeichnung "Kühlsicherung" vorhanden, die die Abgabe des Produktes sperrt, wenn die Temperatur überschritten wird, bei der das Produkt verderben kann.
- **Bereich der unteren Schächte**, in denen die Temperatur von etwa $+6^{\circ}\text{C}$ ideal für lang haltbare Getränke oder andere Waren ist.



4 TÜRKOMPONENTEN

- 1 **Display:** Auf dem Display erscheint der Gesamtwert der eingeworfenen Münzen, die Bezeichnung und der Preis des Produktes sowie alle Betriebsmeldungen. Bei einem Defekt des Automaten zeigt das Display die Nummer des bestehenden Alarms.
- 2 **Geldrückgabeknopf:** Dient zum Befreien der Münzen, die sich im Münzschaltgerät festgeklemmt haben. Sie können anschließend der Geldrückgabeschale entnommen werden.
- 3 **Geldeingabeschlitz:** Wird vom Kunden benutzt, um den für den Produkterwerb notwendigen Guthabenbetrag einzuwerfen.
- 4 **Auswahl-Tastenfeld:** Das Tastenfeld besteht aus einer Reihe von Schaltern, die mit Buchstaben und Nummern gekennzeichnet sind. Zur Auswahl ist die Kennnummer des gewünschten Produktes einzugeben.
- 5 **Entnahmeklappe:** Wird vom Kunden benutzt, um das erworbene Produkt zu entnehmen.
- 6 **Geldrückgabeschale:** Im unteren Teil gelegen, wird sie für die Geldrückgabe benutzt.
- 7 **Türschloß.**
- 8 **Fußabdeckung.**

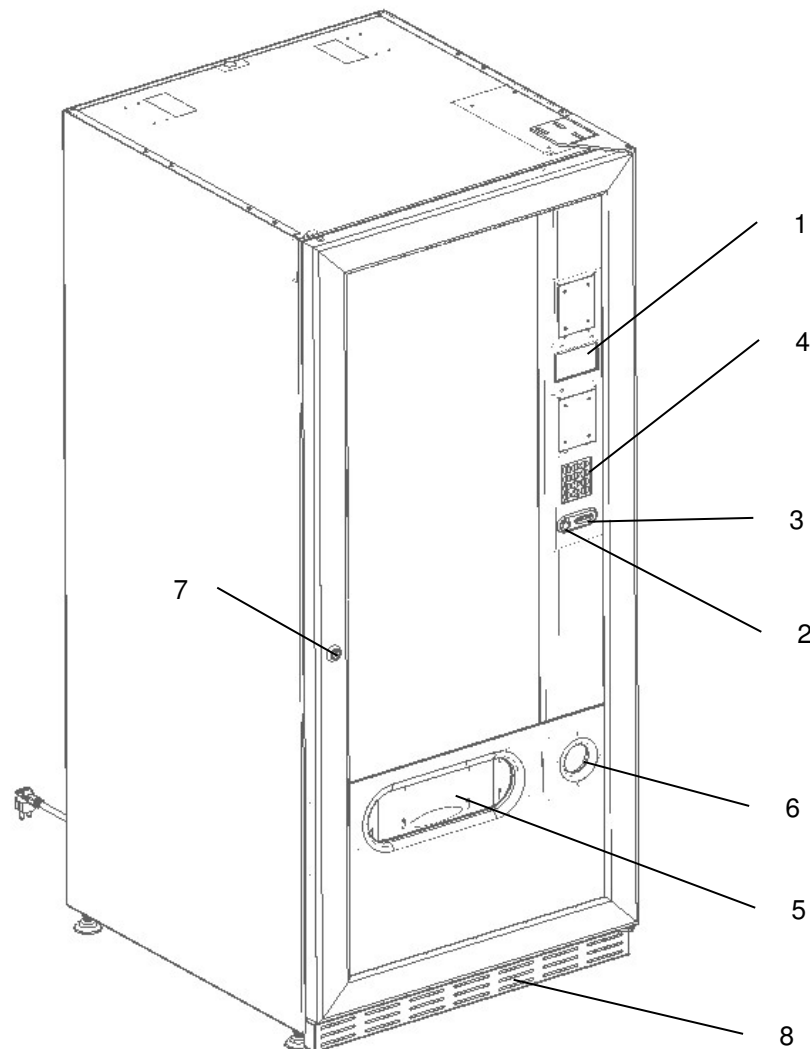


Abb. 1

5 INNENKOMPONENTEN

- 1 **Hauptplatine:** Sie liegt innerhalb der Box für das Münzschaltgerät und steuert die verschiedenen Automatenfunktionen.
- 2 **Kühlschrankaggregat:** Er dient dazu, die im Münzschaltgerät eingeklemmten Münzen zu lösen, um sie dann der Münzrückgabeschale entnehmen zu können.
- 3 **Schaltkasten:** Der Schaltkasten, im unteren Gehäusebereich hinter dem Entnahmefach gelegen, vereint sämtliche Stromanschlüsse, die Stromversorgungskarte und die Schmelzsicherungen.
- 4 **Türmikroschalter:** Sendet die Information "Tür offen" zur Platine.
- 5 **Münzgeldkasse.**
- 6 **PREISANZEIGE:** beleuchtete Leiste, die leicht verständlich sowohl den Preis als auch die Auswahlnummer in Übereinstimmung mit dem Produkt anzeigt. (falls vorhanden)

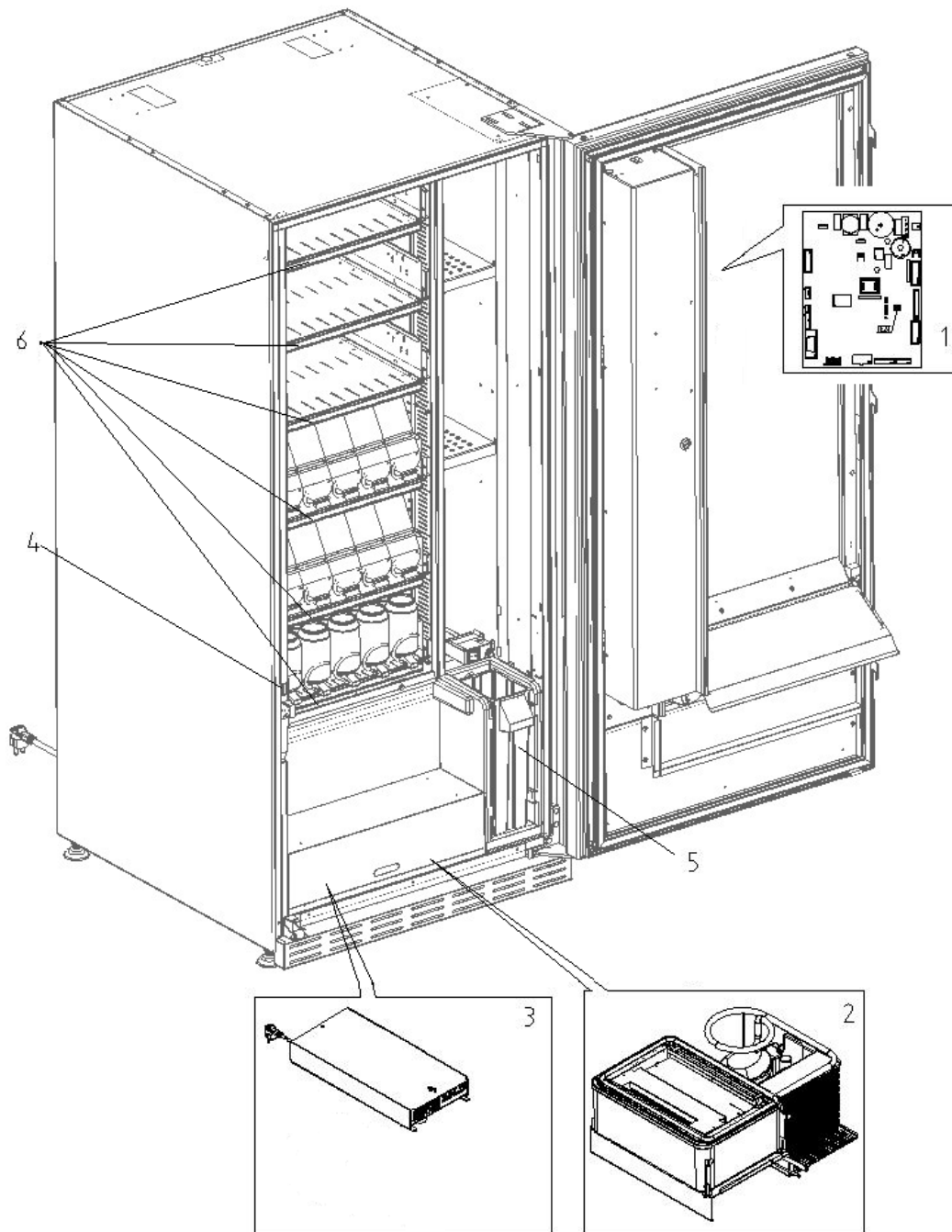


Abb. 2

6 TRANSPORT, BEWEGEN, LAGERUNG, AUSPACKEN



Falls Schäden an dem Verkaufsautomaten festgestellt werden, es sofort dem Spediteur mitteilen.

6.1 TRANSPORT UND LAGERUNG

Um den Automaten nicht zu beschädigen, müssen die Ver- und Abladungsoperationen mit besonderer Sorgfalt durchgeführt werden.

Beim Ver-/Abladen ist der Automat entweder mit motorisiertem oder manuellem Hubwagen anzuheben und die Gabeln sind im unteren Teil der Palette zu positionieren.

Die Fortbewegung über kurze Strecken, z. B. innerhalb eines Werkes oder von Geschäftsräumen kann ohne Palette vorgenommen werden. Hierbei ist höchst vorsichtig vorzugehen, um den Automaten nicht zu beschädigen. Hingegen ist es auf jeden Fall **verboten**:

- Den Automaten flach hinzulegen;
- Den Automaten mit Kabeln oder dergleichen zu ziehen;
- Den Automaten durch seitliche Griffe aufheben;
- Den Automaten mit Schlingen oder Kabeln aufheben;
- Den Automaten oder seine Verpackung schütteln oder ihnen heftige Stöße geben.



Es wird dringend davon abgeraten, den Automaten auf die Seite zu legen, weil der Verdichter sonst nicht mehr richtig vom enthaltenen Öl geschmiert wird, was dazu führen kann, dass es bei der Inbetriebnahme zu Schäden kommt. Wird der Automat trotzdem hingelegt, bringen Sie ihn in einer Umgebungstemperatur nicht unter 18°C unter und warten anschließend mindestens 2 Stunden bis zu seiner Inbetriebnahme.

Was die Lagerung der Automaten betrifft, muß der Lagerraum trocken sein und eine Temperatur zwischen 0° und +40° C haben.

Die Maschine bedecken, nachdem sie in einer geschützten Umgebung aufgestellt worden ist und sie befestigen, um Verrückungen oder unvorhergesehene Zusammenstöße zu vermeiden. Es ist verboten, mehrere verpackte Geräte übereinander zu stellen. Halten Sie die durch Pfeile auf der Verpackung gekennzeichnete senkrechte Lage ein.

6.2 AUSPACKEN

Die Verpackungsmaterialien müssen vorsichtig entfernt werden, um den Automaten nicht zu beschädigen. Begutachten Sie das Gehäuse von innen und außen, um mögliche Schäden festzustellen. Machen Sie das Verpackungsmaterial erst unbrauchbar, wenn der Frachtführer dieses untersucht hat.



Denken Sie daran, die Verpackungsbestandteile und Ausrüstungsteile aus dem Innern des Verkaufsautomaten zu entfernen. Sie könnten die vollständige Funktionsfähigkeit des Gerätes beeinträchtigen.

Um das Gerät von der Palette zu nehmen, reicht es aus, die 4 Sechskantschrauben zur Befestigung des Automatenuntergestells auf der Palette abzuschrauben. 2 davon befinden sich auf der Automatenhinterseite, 2 auf der Vorderseite.

Um eine ausreichenden Luftumwälzung der Kühleinheit sicherzustellen, sind die hinteren Bügel, die den Automaten an der Palette festhalten, umgekehrt wieder anzubringen.



Die Verpackungsmaterialien sind wegen des Umweltschutzes nach den geltenden Gesetzesvorschriften zu entsorgen.



Den Automaten anheben und dabei darauf achten, daß die Stützfüße aus der Palettenform austreten.

6.3 INSTALLATION

Der Automat muss in einem belüfteten oder belüftbaren Bereich aufgestellt werden (Fußboden, offene Galerie), der das Gewicht tragen kann.



Das Gerät eignet sich nicht für die Montage im Freien, es darf keiner direkten Sonneneinstrahlung ausgesetzt werden oder an Orten stehen, an denen es strahlwassergefährdet ist. Das Gerät kann an Orten mit einer Umgebungstemperatur zwischen 3°C und 32°C aufgestellt werden.

Man soll überprüfen, ob die Leistung des Stromnetzes dem auf dem Schild angeführten max. Anschlusswert angemessen ist. Im Zweifelsfall wenden Sie sich bitte an einen Fachmann. Dieser muß unter anderem insbesondere sicherstellen, daß der Querschnitt der Anlagenkabel der Leistungsaufnahme des Automaten angemessen ist.



Die folgenden Anweisungen sind nur im Vereinigten Königreich gültig.

Die Farben der Leitungskabel haben folgende Bedeutung:

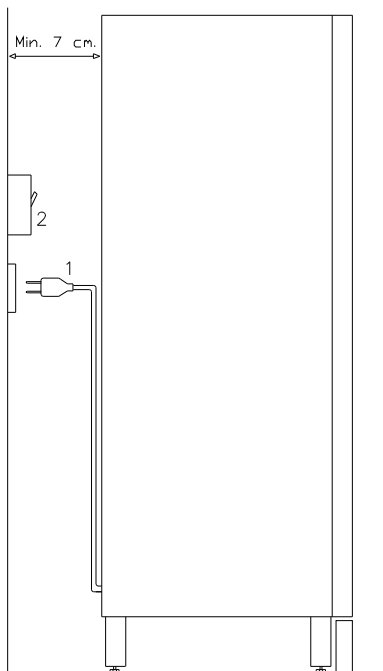
GRÜN UND GELB - MASSE ---- BLAU - NULLEITER ---- BRAUN - PHASE

Da die Möglichkeit besteht, daß die Leitungsdrähte dieses Apparates nicht mit den Farbmarkierungen ihrer Steckerbuchsenklemmen übereinstimmt, gehen Sie wie folgt vor: Der GRÜN-GELBE Draht muß mit der Buchsenklemme verbunden werden, welche durch den Buchstaben E, das Massesymbol oder die GRÜNE bzw. GELB-GRÜNE Farbe gekennzeichnet ist. Der BLAUE Draht muß mit der Buchsenklemme verbunden werden, welche durch den Buchstaben N oder die Farben SCHWARZ bzw. BLAU gekennzeichnet ist. Der BRAUNE Draht muß mit der Buchsenklemme verbunden werden, welche durch den Buchstaben L, oder die Farben ROT bzw. BRAUN gekennzeichnet ist.



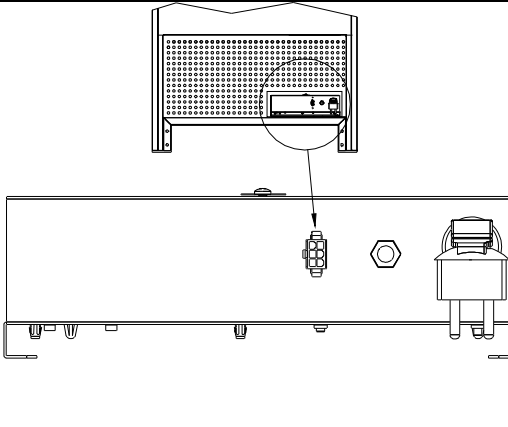
Der Hersteller lehnt jede Verantwortung für Schäden ab, die auf die Mißachtung der vorstehend erläuterten Vorsichtsmaßnahmen zurückzuführen sind.

- Die Rückwand der Maschine soll wenigstens 7 cm von der Wand entfernt sein, um eine regelmäßige Ventilation zu erlauben.
- Wenn der Automat aufgestellt worden ist, stellen Sie die vier kleinen Regulierfüße so ein, daß der Verkaufautomat perfekt in der Waagerechten ausgerichtet ist. Alle Füße müssen in Berührung mit dem Fußboden sein.
- Die vordere Fußabdeckung montieren.
- Sowohl die vordere Fußabdeckung kontrollieren als auch prüfen, ob die Netze hinter und unter dem Kühlaggregat stets sauber und nicht verstopft sind.



Beschreibung der Anschlüsse:

- 1 Schukostecker
- 2 Differenzialschalter mit elektromagnetischem und thermischem Überstromauslöser

	<p>VERBINDUNG MASTER / SLAVE</p> <p>An das MASTER-Gerät kann ein SLAVE-Gerät angeschlossen werden. Zur Verwendung kommt ein serielles Kabel, die Steckbuchse liegt auf der Geräterückseite. Es ist außerdem möglich, ein Stand-Alone-Gerät im Slave-Modus anzuschließen, siehe dazu den Befehl 49. Bei Vorhandensein eines SLAVE-Automaten muss dieser für einen ordnungsgemäßen Betrieb an einen Master-Automaten angeschlossen werden. Alle Betriebsparameter können nur über die Befehle der Master-Maschine eingestellt werden. Insbesondere wird die Temperatur zur Lagerung verderblicher Produkte nur dann garantiert, wenn die Slave-Maschine an eine Master-Maschine angeschlossen ist, die mit den richtigen Programmierparametern eingestellt ist.</p>
---	--

- Zum Anstellen des Gerätes folgendermaßen vorgehen. Stromversorgungskabel einstecken. Wenn auf dem Display die Zeile "MEMORY CLEARED" erscheint, zur Initialisierung des Speichers den Knopf auf der Hauptplatine im Innern der Box des Münzschaltgerätes drücken. Auf dem Display erscheint die Meldung "TÜR OFFEN". Der Verkaufsautomat beginnt automatisch mit einem Selbsttest. Wenn kein Fehler festgestellt wird, ist das Gerät startbereit.
- Die Maschine programmieren (siehe Kap. "PROGRAMMIERUNG"), die PARAMETER DER KÜHLEINHEIT (siehe den zugehörigen Abschnitt) an die in den Automaten eingefüllten Lebensmittelprodukte anpassen und die Preise setzen.
- Wenn das Gerät über Münzrückgabe-Speicher verfügt, legen Sie die entsprechenden Münzen in die Münzrückgaberöhren ein.
- Das Gerät mit den Produkten befüllen (siehe Abschnitt Produktbefüllung).

6.4 BEMERKUNG ZUR INSTALLATION

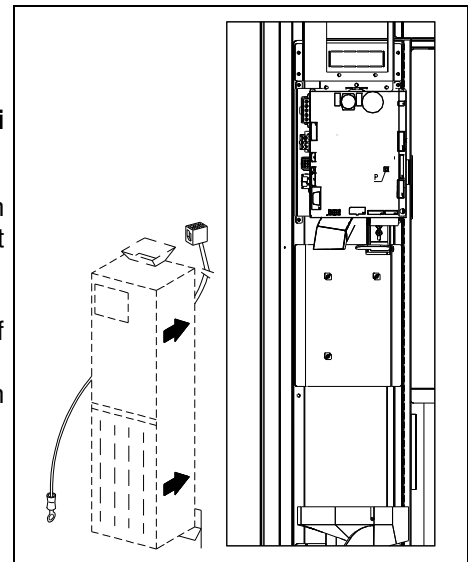
Der Automat wird ohne Zahlungseinheit verkauft. Deswegen gehen alle Störungen oder Schaden am Automaten, an Menschen oder Sachen, die einer falschen Installation der Zahlungseinheit zu zuschreiben sind, zu Lasten derjenigen, die die Zahlungseinheit installiert haben.

6.5 ANSCHLUSS ZAHLUNGSSYSTEM

Der Anschluss des Münzschaltgerätes darf nur bei ausgeschaltetem Gerät vorgenommen und getrennt werden.

Neben der Grundkarte befinden sich die Steckverbindungen für den Anschluss des Münzschaltgerätes. Der Verkaufsautomat unterstützt Zahlungssysteme mit den Protokollen EXECUTIVE, MDB und BDV.

- Das Münzschaltgerät innerhalb der Stifte positionieren und auf der Unterlage fixieren.
- Die Steckverbindungen des Münzschaltgerätes an den Automaten anschließen.
- Die Geldeingaberutsche auf dem Mundstück des Münzschaltgerätes positionieren.
- Das Hebelwerk des Geldrückgabeknopfes einstellen.



7 BEMERKUNG ZUR VERSCHROTTUNG DES AUTOMATEN

Falls der Automat verschrottet werden sollte, ist es Pflicht, die Umweltschutzgesetze zu befolgen. Alle Eisen- und Kunststoffmaterialien und ähnliches müssen in die genehmigten Deponien gebracht werden. Besonders muß man auf folgende Stoffe achten:



Gase der Kühleinheiten, welcher Art auch immer (siehe Typschild), müssen mittels Spezialeinrichtungen durch autorisierte Unternehmen gesammelt werden.
Isoliermaterialien müssen durch autorisierte Unternehmen recycelt werden.

Im Zweifelsfall empfehlen wir, bei den örtlichen Behörden, die für die Abfallentsorgung zuständig sind, Auskünfte einzuholen.

8 EINWIRKUNG AUF DEN AUTOMATEN

8.1 BEFÜLLUNG MIT WARE

Nachdem der Einrichtungsvorgang und die Programmierung der Maschine durchgeführt worden sind, wie folgt vorgehen:

- 1) Die Tür öffnen.
- 2) Jeden Schacht im unteren Teil ergreifen und einzeln herausziehen, indem man ihn nach außen zieht, bis der Anschlagpunkt erreicht ist. Der Schacht neigt sich nach unten und erleichtert auf diese Weise die Befüllung.
- 3) Die Befüllung von außen nach innen durchführen, und dabei achten, daß alle Räume gefüllt werden. Die Unterseite des Produktes sollte auf den Boden des Abteiles gestellt werden, genau über die Spirale. Das Etikett nach dem Schaufenster hin drehen, damit der Kunden es gut sehen kann. Alle Produkte sind leicht in die Spiralen einzusetzen, keine größeren Gegenstände einfügen; die Spiralen können verschiedene Steigungen haben. Deswegen entweder die dem Produkt, das man verkaufen will, geeignete Spirale wählen oder das Produkt nach Spirallänge wählen.
- 4) Nachdem man die Befüllung aller Schubladen beendet hat, sich vergewissern, daß sie in Stellung "STANDBY" zurückkehren. Jede Spirale kann jeweils um 45° gedreht werden. Der größte Teil der Artikel wird problemlos verkauft, wenn der Endteil der Spirale auf Lage 6 Uhr ist. Für die Brikprodukte, den Endteil auf 90° im voraus regeln.

VERMERK: Die Produkte in Tüte oder Schachtel können Probleme verursachen, falls sie nicht korrekt eingesetzt werden. Der versiegelte Rand der Tüte kann unter die Spiralenfäden eindringen und somit das Fallen der Tüte selbst verhindern. Es wird geraten, den Rand der Tüte nach vorne und in die Höhe zu biegen, bevor die Tüte in den Spiraleraum gestellt wird. Wenn man z. B. Kuchen, Kekse, "zerbrechliche" Artikel ladet, sollten diese in die unteren Schubladen gestellt werden, damit sie beim Herunterfallen nicht beschädigt werden.

8.1.1 HINWEISE ZUM EINFÜLLEN DES AUTOMATENGUTES

Prüfen Sie im Kapitel TECHNISCHE EIGENSCHAFTEN, welche Konfiguration Ihr Verkaufsautomat besitzt, um den Bereich mit der Steuerung der "Kühlsicherung" präzise bestimmen zu können.

In der ersten Phase der Inbetriebnahme abwarten, bis die Betriebstemperatur nach etwa 12 Stunden erreicht ist. Auf jeden Fall ist vor dem Einsetzen des Kühlgutes zu prüfen, ob das Gerät in seinem Innern eine Temperatur von unter 4°C erreicht hat (siehe Befehl 66 und Befehl 67).

Falls die "Kühlsicherung" anspricht, müssen die Produkte der außer Betrieb gegangenen Auswahlkategorien beseitigt werden. Auch in diesem Fall muß beim erneuten Einschalten das Erreichen der Betriebstemperatur abgewartet werden, bevor das neue Kühlgut eingefüllt werden.

Sicherheit für das Kühlgut kann nur erreicht werden, wenn die gesamte Türöffnungsdauer sich auf 15 Minuten beschränkt. Es wird deshalb empfohlen, so schnell wie möglich vorzugehen.

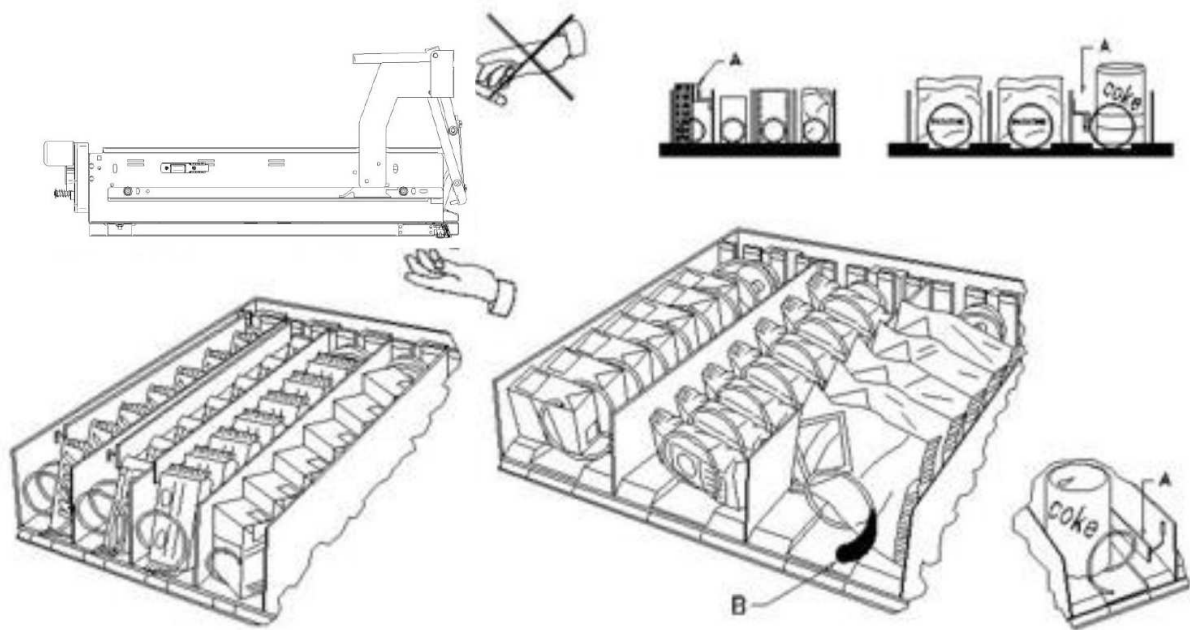


Abb. 3

8.2 TRENnwÄNDE FÜR PRODUKTE IN DEN SCHUBLADEN (Abb. 3)

Die Trennwände "A" werden geliefert, um "schmale" Produkte zu laden.

Sie so positionieren, daß sie das Produkt ziemlich frei gegen die rechte Seite des Faches halten, damit es gerade steht.

Zur Regelung der Trennwände, nach vorne ziehen, um den Raum enger zu machen, nach hinten ziehen, um den Raum zu erweitern; immer 3 mm zwischen Trennwand und Produkt lassen.

8.3 AUSSTOßER FÜR PRODUKTE (Abb. 3)

Der Ausstoßer kann verwendet werden, wenn in Säckchen verpackte Produkte, wie Chips oder ähnliches, vorhanden sind. Der Ausstoßer hilft, sie aus der Spirale herauskommen zu lassen. Er wird an das Randende der Spirale angehakt und wirkt wie eine Ausdehnung für das verkaufbare Produkt. Er wird es aus der Schublade hinausschieben.

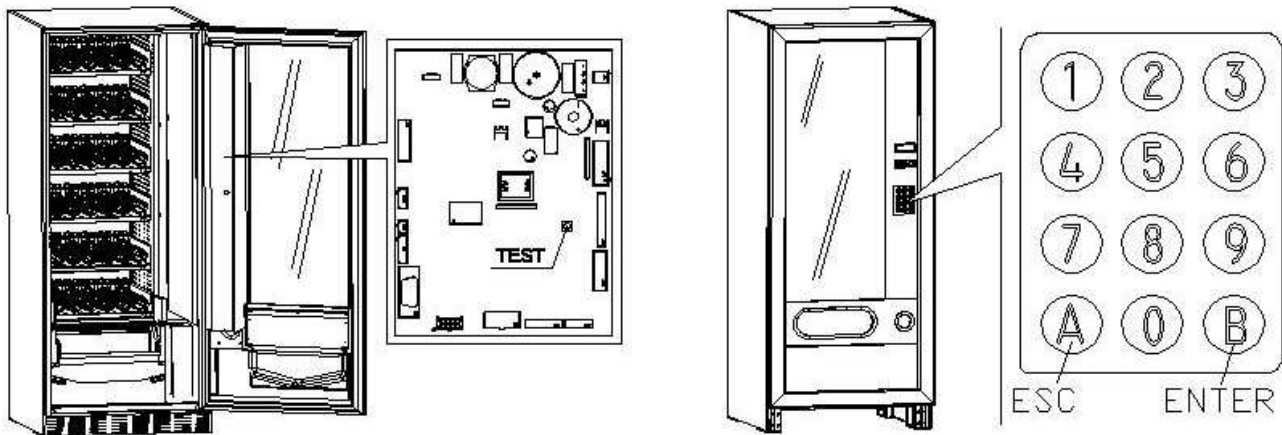
8.4 VERKAUFSVERFAHREN

Nachdem man den Verkaufsautomaten mit den gewünschten Produkten gefüllt, die Verkaufspreise für jedes Produkt angelegt, die Preisschilder gestellt hat, und sich vergewissert hat, daß die Schubladen in Verkaufsposition sind, ist die Maschine bereit, zu verkaufen.

- 1) Das zum Einkauf des Produktes nötige Geld einwerfen.
- 2) Auf der Tafel die dem gewünschten Produkt entsprechende Kombination wählen.
- 3) Das Produkt aus der Klappe entnehmen.

9 TASTATUR FUNKTIONEN/PROGRAMMIERUNG

Öffnen Sie nach dem Installationsvorgang die Tür und halten Sie die Taste "TEST" auf der Hauptplatine ca. 3 Sekunden lang gedrückt, bis ein langer Summertone zu hören ist. Dies bedeutet, dass Sie den Programmiermodus geöffnet haben, und im Display erscheint "**Command 00**".



Von diesem Hauptmenü aus hat man direkten Zugriff auf einige Daten oder andere Untermenüs. Geben Sie auf der **Knopftafel Direktwahl** den entsprechenden Befehl ein und bestätigen Sie mit der **Taste B (ENTER)**.

Die Taste **B** dient auch zur Bestätigung und Speicherung der an der Tastatur eingegebenen Daten, in diesem Fall erscheint auf dem Display für einige Sekunden der Hinweis "**OK**". Um den Programmiermodus zu verlassen oder von einem Untermenü zum Hauptmenü zu wechseln, einfach **Taste A (ESC)** drücken.

Achtung: Wenn die Taste "TEST" vor der erforderlichen Zeit losgelassen wird, geht der Automat in den Modus "Auswahlen prüfen" über, der unten beschrieben ist. In diesem Fall müssen Sie diesen Modus durch erneutes Drücken der Taste "TEST" verlassen. Wiederholen Sie danach den Vorgang zum Öffnen der Programmierung.

Bei jedem Öffnen der Tür werden auf dem Display die Waren angezeigt, die nicht erhältlich sind oder sich nicht an der "Home Position" befinden, weil sie die Vierteldrehung vollzogen haben (siehe Befehlsparameter 76). Die Automatenwaren können (durch Drehen) bei jeder Betätigung der Taste "B" wieder in Verkaufsbereitschaft versetzt werden. Wenn die Tür wieder geschlossen wird, ohne alle Waren in Verkaufsbereitschaft versetzt zu haben, wird das Ereignis als Fehler aufgezeichnet und unter dem Befehlsparameter 99 mit dem Code 91 angezeigt.

ACHTUNG: Bei der Drehung, die erforderlich ist, um die Ware wieder in Verkaufsbereitschaft zu versetzen, kann es also passieren, dass das Produkt auf den Boden fällt, wenn die Tür geöffnet ist.

Bitte beachten: Ist der Anschluß SPIRALI SLAVE aktiviert (siehe Befehl 49), gelangt man nach der Anzeige des MASTER-Gerätes mit dem Knopf A (ESC) zur Anzeige derselben Daten für das SLAVE-Gerät.

9.1 AUSWAHL PRÜFEN

Sie können die Funktion des Automaten testen, indem Sie die Taste "Test" auf der Hauptplatine drücken, woraufhin die Meldung "**AUSWAHLEN OK**" auf dem Display erscheint. Auf dem Display erscheint die Anzeige "AUSWAHL OK" oder es könnte ein Anzeige erscheinen (Beispiel 12, 14...), Dieser deutet darauf hin, daß sich während des Betriebes eine Unregelmäßigkeit ereignet hat und daß die Spirale außer Tätigkeit sind. Die auf dem Display angezeigte Wahl zur Instandsetzung durchführen. Falls während des Tests ein Betriebsfehler stattfindet, zeigt das Display die Kennnummer der Spirale weiterhin an, andernfalls geht das System zur nächsten Auswahl außer Betrieb über. Wenn alle Auswahlen in Ordnung sind, erscheint die entsprechende Meldung auf dem Display. In dieser Phase können alle Auswahlen getestet werden, indem man die entsprechende Kennnummer eingibt. Um nach Abschluß des Tests zum normalen Betrieb zurückzukehren, reicht es aus, die Taste "Test" auf der Hauptplatine wieder zu drücken.

Zur Beachtung: Um mögliche Fehler zu vermeiden, kehrt die Maschine ca. 1 Minute nach Aktivierung des Testmodus automatisch in den Normalbetrieb zurück, wenn keine Vorgänge durchgeführt werden.

Falls während der Probe oder der Wiederherstellung mehrmals Fehler stattfinden sollten, bedeutet es, daß die Unregelmäßigkeit nicht zufällig ist, sondern vom Bruch einiger Bestandteile abhängt und eines technischen Eingriffs benötigt.

9.2 LISTE BEFEHLE

ZUGRIFF UNTERMENÜ

Befehl	01	Maschinentest
Befehl	02	Aufruf Untermenü tägliche Uhr/Timer
Befehl	03	Aufruf Untermenü Einstellung Preise
Befehl	04	Aufruf Untermenü Anlage Sonderpreise
Befehl	05	Aufruf Untermenü Einstellung Preisreferenzen
Befehl	06	Einstellung des Produktcodes
Befehl	07	Anzeige Verkäufe zum vollen Preis je Produkt
Befehl	08	Anzeige Verkäufe pro Auswahl mit herabgesetztem Preis
Befehl	09	Anzeige Gesamtbeträge nicht rückstellbar
Befehl	10	Anzeige Gesamtbeträge rückstellbar
Befehl	11	Einstellung Auswahlsequenzen
Befehl	15	Verkettete Menüs
Befehl	25	Aktivierung Geldrückgabemotor und Mikroschalter für Münzeinwurf
Befehl	26	Aktivierung der Einrichtung, die Minderjährige, die ein bestimmtes Alter unterschreiten, von der Nutzung des Automaten ausschließt (falls vorhanden)

BEFEHLE 27-39

Modalität EXECUTIVE	<i>siehe Paragraph: VERWENDUNG EXECUTIVE STD/EXECUTIVE-PRICE HOLDING ZAHLUNGSSYSTEME</i>
Modalität BDV	<i>siehe Paragraph BDV.</i>
Modalität MDB	<i>siehe Paragraph MDB.</i>

UNTERMENÜ ANLAGE KÜHLSCHRANKPARAMETER

Befehl	40	Aktivierung Beheizung der Doppelverglasung und Auswahl Kühlaggregat MASTER und SLAVE
Befehl	41	Anlage Innentemperatur
Befehl	43	Einstellung Temperatur Ende Abtauvorgang
Befehl	44	Anlage Enteisungszeitraum
Befehl	45	Einstellung Ausschlußdauer Kühlsicherung
Befehl	46	Einstellung Kühlsicherungstemperatur
Befehl	48	Auswahl der Schächte mit Kühlsicherung

ANZEIGE MASCHINENPARAMETER

Befehl	49	Aktivieren / Sperren Spiralen Slave
Befehl	50	Gerätekonfiguration (Anzahl der Automatenwaren / Schieberkassette / Timeout Betätigung)
Befehl	55	Freigabe-Mehrfachfunktion der Leisten zur Preisanzeige (sofern vorhanden)
Befehl	56	Optionen zur Funktionsweise der Leisten zur Preisanzeige (sofern vorhanden)
Befehl	58	Freigabe Modus Bestätigung der Auswahl oder Vorauswahl
Befehl	59	Anschlagzähler
Befehl	60	Speicherlöschung
Befehl	61	Nullsetzung security/access code
Befehl	62	Aktivierung Rabatt
Befehl	63	Einstellung Einzel-/Mehrfachverkauf und Option Overpay
Befehl	64	Anlage Anzeigesprache
Befehl	66-67	Anzeige Innen- und Verdampfertemperaturen
Befehl	68	Einstellung Währungsanzeige
Befehl	69	Einstellung Zahlungssystem
Befehl	70	Option akustische Signalfunktion / Hintergrund Graphikdisplay
Befehl	73	Zuschalten Photozellen
Befehl	74	Fotozellentest
Befehl	75	Einstellung Betriebsparameter der Lichtschranke
Befehl	76	Funktionsoptionen des Systems ("FTC Options")
Befehl	80	USB-Menü
Befehl	85	Anzeige Prüfsumme (checksum) und Softwareversion der Hauptplatine und der Netzversorgungsplatine

Befehl	88	Aktivierung Warenerhitzung im MODUL WAVE (falls vorhanden):
Befehl	90	Auswahl Auditprotokoll / Telemetrie-Aktivierung / temporäre Daten löschen
Befehl	91	Eingabe Gerätekenndaten
Befehl	92	Nullsetzung Verkaufsdaten
Befehl	95	Einstellung Displayanzeigefunktionen (Benutzerhinweis / interne Bildschirmpräsentation / USB-Bildschirmpräsentation)
Befehl	99	Zugang zum Menü Ereignisanzeige.

9.2.1 ZUGRIFF AUF DIE UNTERMENÜS

Befehl 01 Maschinentest:

Dient zur Vornahme des Testes für die Auswahlen. Durch Eingabe von 01 gefolgt von der Taste B erscheint die Nachricht "Auswahl nr. 00", Die in der Maschine vorhandene Anzahl von Auswahlen (Anzahl der Motoren) eingeben und B drücken. Der Automat führt die Kontrolle der wirklich vorhandenen Auswahlen durch (Test 12). Wenn die gefundene Anzahl nicht mit dem eingegebenen Wert übereinstimmt, erscheint auf dem Display der Schriftzug "CONFIG ERROR". Dies bedeutet, daß eine oder mehrere Auswahlen nicht elektrisch angeschlossen sind, deshalb die Verkabelung überprüfen. Stimmt hingegen die gefundene Anzahl mit dem eingegebenen Wert überein, werden 3 Ausgabezyklen für jede Auswahl durchgeführt. Sollte sich während dieser Phase irgendeine Betriebsstörung in einer Auswahl herausstellen, wird der Test unterbrochen und auf dem Display bleibt der entsprechende Auswahlcode angezeigt. Wenn der Test gut ausgeht, kehrt der Automat zum Programmierungshauptmenü zurück (Befehl 00)

Befehl 02 Aufruf Untermenü tägliche Uhr/Timer:

02 eingeben und ENTER drücken, auf dem Display erscheint das Menü und es sind folgende Optionen verfügbar:

1. **Datum/Uhrzeit**
2. **Wochen-Timer**
3. **Beleuchtungsoptionen**

1. Datum/Uhrzeit:

Dieser Befehl dient zur Einstellung der Uhr in der VMC-Karte, Datum; Uhrzeit und Wochentag (das Datum ist im Format Jahr/Monat/Tag YYMMDD).

Ferner wird auch die Anzeigeoption der Uhr auf der fünften Zeile des Displays eingestellt).

2. Wochen-Timer:

Das Untermenü Einstellung Wochen-Timer aufrufen, in dem folgende Optionen vorhanden sind:

1. **Energieeinsparung**
2. **Rabatt für Zeitabschnitt**
3. **Maschinensperre/Auswählen**

1. Der erste Parameter ist die Freigabe/Sperrung (1/0) der Option "Energiesparmodus". Wenn die Option freigegeben ist, wird im Fall des Wochen-Timers nach der Wahl des Tages gefragt. Die Auswahl erfolgt dadurch, dass die Werte mit einer beliebigen numerischen Taste durchlaufen und die Wahl mit der Taste „B“ bestätigt wird. Es können daher 3 Tageszeiträume für die Aktivierung/Deaktivierung der Funktion festgelegt werden.

Es werden daher 3 Optionen vorgeschlagen: 1. Kopieren der programmierten Zeiträume auf den folgenden Tag; 2. Kopieren der programmierten Zeiträume für alle Tage der Woche; 3. Ändern der Zeiträume des betreffenden Tags.

2. Der erste Parameter ist die Freigabe/Sperrung (1/0) der Option "Skonto für Zeitbereiche". Wenn die Option freigegeben ist, wiederholt sich der vorher beschriebene Ablauf.

3. Auch in diesem Fall ist der erste Parameter die Freigabe/Sperrung (1/0) der Option „Maschinensperre/Auswählen“ Wenn die Option freigegeben ist, wiederholt sich der unter Punkt 1 beschriebene Ablauf.

Im Folgenden wird die Anwendung zur Sperre der Maschine als Ganzes oder einem Teil von ihr eingegeben. Bei der teilweisen Sperre muss eingegeben werden, für welche Sektionen die zeitbeschränkte Sperre gelten soll.

3. Beleuchtungsoptionen

Mit diesem Bedienelement wird die vollständige Abschaltung = 0 oder die Dämpfung = 1 der Beleuchtung während der Energiesparzeiten eingestellt (siehe Alarm 11). Anschließend fragt das System die Einstellung der LED-Abschaltfunktion bei geöffneter Tür ab: 1 = aktiviert, 0 = deaktiviert.

Befehl 03 Aufruf Untermenü Einstellung Preise (Sie sehen auch Befehl 69):

03 eingeben und **ENTER** drücken, aufgerufen wird das Untermenü für die Einstellung der Produktpreise, auf dem Display erscheint '**Produkt Nummer 0**'.

Geben Sie die Nummer des Produktes ein, deren Preis angezeigt oder geändert werden soll, dann **ENTER** drücken. Auf dem Display erscheint '**Preis.....**', anschließend den neuen Preis eingeben und zum Speichern erneut **ENTER** drücken, oder die Taste **ESC** drücken, um ohne Änderungen zum Hauptmenü zurückzukehren.

Der Preis des Getränkes 6 wird folgendermaßen auf 1,20 € eingestellt:

- Programmiermodus, auf dem Display steht Befehl 0
- 03 eintippen und ENTER drücken, auf dem Display erscheint Produkt Nummer 0
- 6 eingeben und ENTER drücken, auf dem Display erscheint der aktuelle Preis Preis N
- Den Wert 120 eingeben und ENTER drücken.

Wahlweise können die Preise pro Box programmiert werden: Die Einstellung von 91 bedeutet, dass für alle Waren der ersten Box von oben derselbe Preis vorgegeben wird. Einstellwert 92 = 2. Box; 93 = 3. Kasten; 94 = 4. Box; 95 = 5. Kasten; 96 = 6. Box; 97 = 7. Box. Wird für den Preis 99 programmiert, werden die Preise aller Automateinstellungen gleichermaßen zum vorgegebenen Wert angeboten.

Bei der Programmierung von vollen Preisen wird der Wert des zugehörigen rabattierten Preises entsprechend geändert. Wenn demnach mit differenzierten Preisen, also mit Rabatt, verkauft wird, muß zunächst der volle Preis programmiert werden, erst anschließend der rabattierte Preis, niemals umgekehrt oder nur einer der beiden Preise.

Bitte beachten: Ist der Anschluss SPIRALI SLAVE aktiviert (siehe Befehl 49), gelangt man nach der Einstellung des MASTER-Gerätes mit dem Knopf ESC zur Einstellung derselben Parameter für das SLAVE-Gerät.

Befehl 04 Aufruf Untermenü Anlage Sonderpreise:

Dieser Befehl hat die selben Funktionen des Befehls 03, nur werden hier herabgesetzte Preise eingestellt.

In der Betriebsart MDB beziehen sich diese Preise auf den Warenkauf durch Schlüssel oder Kreditkarte, Käufe zu bestimmten Tageszeiten oder auf beide Optionen gemeinsam. Siehe hierzu die Erläuterungen zu Befehl 61. Wenn das bargeldlose System MDB die Wahl zwischen zwei verschiedenen Warenpreistabellen bietet, werden mit diesem Befehl die Preise der Tabelle 2 eingestellt, während für die Preise aus Tabelle 1 der Befehl 03 gilt.

Wahlweise können die Preise pro Box programmiert werden: Die Einstellung von 91 bedeutet, dass für alle Waren der ersten Box von oben derselbe Preis vorgegeben wird. Einstellwert 92 = 2. Box; 93 = 3. Kasten; 94 = 4. Box; 95 = 5. Kasten; 96 = 6. Box; 97 = 7. Box. Wird für den Preis 99 programmiert, werden die Preise aller Automateinstellungen gleichermaßen zum vorgegebenen Wert angeboten.

Bitte beachten: Ist der Anschluß SPIRALI SLAVE aktiviert (siehe Befehl 49), gelangt man nach der Einstellung des MASTER-Gerätes mit dem Knopf ESC zur Einstellung derselben Parameter für das SLAVE-Gerät.

Befehl 05 Aufruf Untermenü Einstellung Preisreferenzen:

Dieser Befehlsparameter wird nur benutzt, wenn die Preise im Münzschaltgerät vorgegeben werden.

05 eingeben und ENTER drücken, aufgerufen wird das Untermenü für die Einstellung der Preisreferenzen und auf dem Display erscheint '**Produkt Nummer 0**'. Dieses Untermenü gestattet die Zuordnung einer Preisnummer zu jedem Auswahlprodukt. Den Code für die Identifizierung des Produktes eingeben und ENTER drücken, auf dem Display erscheint die **Nummer** des Preises, der mit dem gewählten Produkt verknüpft ist. Geben Sie die **Nummer** des neuen Preises ein, der dem Produkt zugeordnet werden soll und drücken Sie ENTER, um ihn zu speichern oder ESC, um zum Untermenü zurückzukehren. In diesem Fall bleibt der bisherige Wert gespeichert. Anschließend den Vorgang für ein neues Auswahlprodukt wiederholen oder mit ESC zum Hauptmenü zurückkehren.

Soll beispielsweise dem Produkt 6 der Preis Nummer 8 zugewiesen werden, reicht die folgende Vorgehensweise aus:

- Programmiermodus, auf dem Display steht Befehl 0
- 05 eingeben und ENTER drücken, das Display zeigt Produkt Nummer 0
- 6 eingeben und ENTER drücken, auf dem Display erscheint der aktuelle Wert des Parameters ..Nr. Preis
- 8 eintippen und ENTER drücken.

Befehl 06 Einstellung des Produktcodes:

Dieser Parameter gestattet es, jedem Produkt einen vierstelligen Produktcode zuzuweisen. Dieser Code wird anschließend über den Ausgang RS232 gemeinsam mit den statistischen Verkaufsdaten übertragen.

Bitte beachten: Ist der Anschluß SPIRALI SLAVE aktiviert (siehe Befehl 49), gelangt man nach der Einstellung des MASTER-Gerätes mit dem Knopf ESC zur Einstellung derselben Parameter für das SLAVE-Gerät.

Befehl 07 Anzeige Verkäufe zum vollen Preis je Produkt:

Mit diesem Befehl gelangt man zum Untermenü, in dem die Anzahl der Verkaufsvorgänge für jedes Auswahlprodukt angezeigt wird. Auf dem Display erscheint 'Produkt Nummer 0'. Geben Sie die Kennnummer für das Produkt ein, deren Verkaufsdaten abgefragt werden sollen.

Anschließend die Taste ENTER drücken: Auf dem Display erscheint der gewünschte Wert. Durch Drücken der Taste ENTER tritt man in das Untermenü, von welchem man die Verkaufszahl einer anderen Auswahl anzeigen kann, indem o.g. Vorgang wiederholt wird, oder in das Hauptmenü durch nochmaliges Drücken der Taste ESC zurück.

Bitte beachten: Ist der Anschluß SPIRALI SLAVE aktiviert (siehe Befehl 49), gelangt man nach der Anzeige des MASTER-Gerätes mit dem Knopf ESC zur Anzeige derselben Daten für das SLAVE-Gerät.

Befehl 08 Anzeige Verkäufe pro Auswahl mit herabgesetztem Preis:

Durch diesen Befehl tritt man in das Untermenü Anzeige Verkaufszahl pro Auswahl mit herabgesetztem Preis ein. Auf dem Display erscheint 'Auswahl Nr. 0'. Den Code eintasten, der die Auswahl identifiziert, von welcher man die Verkaufsdaten wissen will, und Taste ENTER drücken. Auf dem Display erscheint der angefragte Wert. Durch Drücken der Taste ENTER tritt man in das Untermenü, von welchem man die Verkaufszahl einer anderen Auswahl anzeigen kann, indem o.g. Vorgang wiederholt wird, oder in das Hauptmenü durch nochmaliges Drücken der Taste ESC zurück.

Bitte beachten: Ist der Anschluß SPIRALI SLAVE aktiviert (siehe Befehl 49), gelangt man nach der Anzeige des MASTER-Gerätes mit dem Knopf ESC zur Anzeige derselben Daten für das SLAVE-Gerät.

Befehl 09 Anzeige Gesamtbeträge nicht rückstellbar:

Durch diesen Befehl tritt man in die Anzeige der Gesamtbeträge ein, die sich auf die ab Maschinen-Initialisierung durchgeführten Transaktionen beziehen. Die verfügbaren Daten sind zum Beispiel:

Gesamtverkauf, Betrag in Kasse, Betrag in den Rohren, ges banknoten, zurückgegebener Betrag, Betrag bei Hand von den Rohren ausgegeben, Betrag eingemommener Überpreis, Betrag herabgesetzter Verkäufe, Betrag Verkäufe mit System Cash Less, verkaufter Betrag bei genauer Summe, eingemommener Betrag ohne Verkauf, Gesamtanzahl der durchgeführten Verkäufe, gesamtwert der freien Verkäufe, Gesamtzahl der freien Verkäufe.

Befehl 10 Anzeige Gesamtbeträge rückstellbar:

Dieser Befehl hat dieselben Funktionen des Befehls 09, jedoch kann dieser Befehl durch den Befehl 92 rückgestellt werden.

Befehl 11 Einstellung Auswahlsequenzen:

Mit diesem Befehlsparameter werden die Produktausgaben desselben Typs vorgegeben, damit sich der Schacht unabhängig von der Auswahl des Kunden gleichmäßig und fortlaufend leert.

Der Befehl verlangt zunächst die Aktivierung (Option 1) oder Nicht-Aktivierung (Option 0) der Funktion.

Wenn die Option aktiviert ist (1), fragt das System nach der Eingabe der ersten Ware, die Bestandteil der Sequenz sein soll, es folgt die Frage nach der Zuweisung des Produktcodes und des Preises. Es wird jeweils mit ENTER bestätigt. Hinzuzufügen sind die weiteren Waren, die Bestandteil ein und derselben Sequenz sind. Drücken Sie ESC, um die erste Sequenz abzuschließen und zu bestätigen. Nun kann eine andere Sequenz eingefügt oder der Befehl durch Betätigung von ESC verlassen werden.

Befehl 15 Verknüpfte Menüs:**IHRE FUNKTION:**

Verknüpfte Menüs dienen zum Verkauf von Produktgruppen (bis max. 3) durch Eingabe einer einzigen Selektion.

Für die Programmierung dieser Produktgruppen stehen zwei Modalitäten zur Verfügung und zwar:

1. voreingestelltes Menü
2. zusammensetzbares Menü

Beispiel von “voreingestellten Menüs”:

Schritt 1: das System verlangt die Aktivierung des Betriebs: 1 = aktiviert; 0 = nicht aktiviert.

Schritt 2: wenn das System aktiviert ist, erscheint am Display die Aufforderung, dem neuen Menü eine Zahl zwischen 81 und 89 zuzuordnen. Das System verlangt nun die Eingabe des vollen Preises gefolgt vom heruntergesetzten Preis.

Schritt 3: das System verlangt die Selektion der ersten Gruppe. Die Zahl der Selektion eingeben und mit der Taste “B” (enter) bestätigen, “A” (esc) drücken; das System verlangt die Selektion der zweiten Gruppe. Die Zahl der Selektion eingeben und mit der Taste “B” (enter) bestätigen, “A” (esc) drücken; das System verlangt nun die Selektion der dritten Gruppe. Die Zahl der Selektion eingeben und mit der Taste “B” (enter) bestätigen. Das System verlangt nun die Eingabe des zweiten Menüs (z.B. 82, da die verfügbaren Zahlen zwischen 81 und 89 liegen).

Beispiel eines “zusammensetzbaren Menüs”:

Schritt 1: das System verlangt die Aktivierung des Betriebs: 1 = aktiviert; 0 = nicht aktiviert.

Schritt 2: wenn das System aktiviert ist, erscheint am Display die Aufforderung, dem neuen Menü eine Zahl zwischen 81 und 89 zuzuordnen. Das System verlangt nun die Eingabe des vollen Preises gefolgt vom heruntergesetzten Preis.

Schritt 3: im Unterschied zum “voreingestellten Menü” kann man im zusammensetzbaren Menü mehrere Selektionen für jede Gruppe eingeben. Man kann immer bis zu drei Selektionsgruppen eingeben. Der Endbenutzer wird dadurch über mehrere Produkte verfügen, um das eigene Menü zu erstellen.

ANMERKUNG:

Wenn man die Menüselektionen aktiviert, wird für die Selektion von 81 bis 89 der Betrieb der Fotozellen deaktiviert.

Befehl 25 Aktivierung Motor für die Restgeldausgabe und Mikroschalter Münzeinwurf (wenn vorhanden):

Schritt eins: Das System fragt ab, ob der Motor für die Restgeldausgabe aktiviert werden soll. Wert 1 = aktiviert;

Wert 0 = nicht aktiviert. Standardwert = 0.

Schritt zwei: Das System fragt ab, ob der Mikroschalter für den Münzeinwurf für den Betrieb aktiviert werden soll.

Wert 1 = aktiviert; Wert 0 = deaktiviert. Standardwert = 0.

Schritt drei: Das System fragt ab, ob während der Nichtbenutzung des Automaten der Motor für die Restgeldausgabe in bestimmten Zeitabständen (Minuten) einen Zyklus ausführen soll. Der zeitliche Abstand zwischen den einzelnen Zyklen kann zwischen mindestens 2 und maximal 250 min programmiert werden. Standardwert = 0 = Zyklus deaktiviert.

Befehl 26 Aktivierung System für den Ausschluss Minderjähriger:

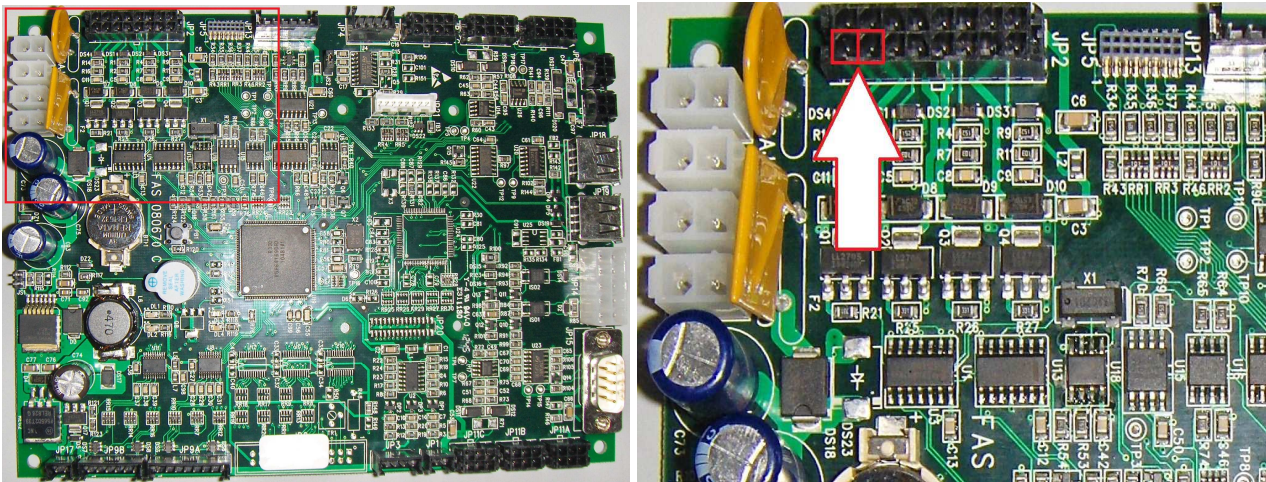
Mit diesem Befehl kann, falls der Automat entsprechend ausgestattet ist, über einen elektrischen Kontakt eine Einrichtung gesteuert werden, die die Nutzung des Automaten durch Minderjährige unterhalb eines bestimmten Alters ausschließt.

Schritt eins: Abgefragt wird, ob die Kontrolle durch die Einrichtung zum Ausschluss von Minderjährigen aktiviert werden soll. Wert 1 = aktiviert; Wert 0 = nicht aktiviert.

Schritt zwei: Das System fragt, welche Automatenwaren den Verkaufsbeschränkungen unterliegen sollen.

ANSCHLUSS DER EINRICHTUNG ZUM AUSSCHLUSS VON MINDERJÄHRIGEN AN DIE STROMVERSORGUNG:

Der Anschluss muss zwischen einem normalerweise geöffneten Kontakt (Schließer) der Einrichtung zum Ausschluss von Minderjährigen und den 2 Stiften des Steckverbinders JP2 auf der in der Abbildung gezeigten Hauptplatine hergestellt werden.



Hauptplatine Detail Steckverbinder JP2

Für den Anschluss ist ein Molex-Steckverbinder des Typs Micro-fit 3.0 (Art.-Nr. 43025-1600) zu verwenden.

9.2.2 EINSTELLUNG TEMPERATURPARAMETER

Befehl 40 Aktivierung Beheizung der Doppelverglasung und Auswahl Kühlaggregattyp auf SLAVE:

Über diesen Befehl kann das Modell des Kühlaggregats mit oder ohne Magnetventil zur Abtaugung eingegeben werden.

Anschließend wird die Option zur Aktivierung der Beheizung der Doppelverglasung (Einstellwert 1) vorgeschlagen, wenn die Scheibe ein Heizelement besitzt. Andernfalls wird diese Funktion deaktiviert (Einstellwert 0). Setzt man diesen Parameter auf 1, besteht die Möglichkeit, das tägliche Ein- und Ausschalten des gegen das Beschlagen der Scheibe wirkenden Heizelementes nach Tageszeiten zu differenzieren).



Die Einstellung des Befehlsparameters MUSS MIT dem Gerätemodell kompatibel sein, andernfalls funktioniert das Gerät nicht einwandfrei.

Befehl 41 Anlage Innentemperatur:

Dieser Befehl legt die Innentemperatur der Maschine an, d.h. die Temperatur unter welcher der Kompressor ausgeschaltet wird. Der voreingestellte Wert beträgt +3°C und kann zwischen +2 und +25°C variieren.

Anschließend fragt das System ab, ob das Kit mit der Bezeichnung "Raumfühler" (falls vorhanden) aktiviert werden soll. Die Werkseinstellung lautet 0 = Funktion aus. Wert 1 = Funktion ein. Bei einem Wert von 1 ist die Funktion aktiviert und der vom Raumfühler gemessene Wert wird angezeigt.

Um das Kit zu erwerben, nehmen Sie bitte Verbindung zum Bezirksverkaufsleiter auf.

Bitte beachten: bei aktivierter Verbindung SLAVE-SPIRALEN (siehe Befehl 49) gelangt man nach der Einstellung des MASTER-Gerätes zur Einstellung derselben Parameter für das SLAVE-Gerät.

Befehl 43 Einstellung Temperatur Ende Abtauvorgang:

Während jedes Kompressorstillstandes wird die Verdampfer Temperatur von der entsprechenden Sonde kontrolliert. Mit diesem Befehl wird die Verdampfer Temperatur vorgegeben, bei deren Überschreiten nach vorherigem Abtropfen der Kompressor seinen Betrieb wieder aufnehmen kann. Dadurch wird das vollständige Enteisen des Verdampfers gewährleistet. Der Parameter ist auf 3°C voreingestellt und kann zwischen 3°C und 12°C verändert werden.

Bitte beachten: bei aktivierter Verbindung SLAVE-SPIRALEN (siehe Befehl 49) gelangt man nach der Einstellung des MASTER-Gerätes zur Einstellung derselben Parameter für das SLAVE-Gerät.

Befehl 44 Anlage Enteisungszeitraum:

Bei diesem Befehl wird das Abtauintervall in Stunden vorgegeben, also der Zeitraum zwischen zwei aufeinanderfolgenden Abtauvorgängen. Der vorangelegte Wert ist 4h und er kann zwischen 1h und 8h abgeändert werden.

Bitte beachten: bei aktivierter Verbindung SLAVE-SPIRALEN (siehe Befehl 49) gelangt man nach der Einstellung des MASTER-Gerätes zur Einstellung derselben Parameter für das SLAVE-Gerät.

Befehl 45 Einstellung Ausschlußdauer Kühlsicherung:

Mit diesem Parameter wird die Dauer eingestellt, für die die Aktivierung der Kühlsicherung ausgeschlossen bleibt. Dieser Zeitraum verhindert, daß der Automat außer Betrieb geht, nachdem aus einem bestimmten Grund die Tür geöffnet werden mußte und die Innentemperatur dadurch angestiegen ist. Das verzögerte Ansprechen der Kühlsicherung gestattet es dem Gerät, die Betriebstemperatur wieder herzustellen. Dieser Befehl ist werkseitig auf 60 min voreingestellt und kann in einem Bereich von 30 bis 360 min verändert werden.

Bitte beachten: bei aktivierter Verbindung SLAVE-SPIRALEN (siehe Befehl 49) gelangt man nach der Einstellung des MASTER-Gerätes zur Einstellung derselben Parameter für das SLAVE-Gerät.

Befehl 46 Einstellung Kühlsicherungstemperatur:

Mit diesem Befehlsparameter wird die Temperatur für das Ansprechen der Sicherung vorgegeben, die Temperatur also, bei deren Überschreiten keine Waren mehr abgegeben werden (siehe Befehl 48). Auf dem Display erscheint ein entsprechender Begleithinweis, wenn versucht wird, eines dieser Produkte zu wählen. Diese Kontrolle wird aufgehoben während des Einschaltvorganges und nach dem Schließen der Tür für eine Dauer, die mit Befehl 45 vorgegeben wird. Voreingestellt ist der Wert +7°C, der aber von +7°C bis +35°C verändert werden kann. Wenn die Kühlsicherung einschreitet, bleiben die betroffenen Auswahlprodukte außer Betrieb. Zur Wiederherstellung der Kühlsicherung: Bei offener Tür zeigt das Display des Masterautomaten das Einschreiten der Sicherung am Master oder den angebotenen Slaves. Zur Wiederherstellung drücken Sie die Taste ENTER auf dem externen Tastenfeld. Drückt man die Taste ESC oder schließt man die Tür wieder, bleibt die eingeschrittene Kühlsicherung aktiviert und wird als FEHLER 93 registriert. Wenn die Kühlsicherung bei der erneuten Schließung der Tür noch aktiviert ist, wird automatisch ein akustischer Alarm ausgelöst (eine Reihe von Pieptönen).



Die Produkte müssen bereits mit der richtigen, von den Bestimmungen vorgesehenen Aufbewahrungstemperatur eingefüllt werden. Wird die Regel nicht beachtet, besteht die Möglichkeit, daß die "Kühlungssicherung" ausgelöst wird.

Für ausführliche Beschreibungen zu den Arten des Auffüllens siehe paragraph "HINWEISE ZUM EINFÜLLEN DES AUTOMATENGUTES"

Bitte beachten: bei aktivierter Verbindung SLAVE-SPIRALEN (siehe Befehl 49) gelangt man nach der Einstellung des MASTER-Gerätes zur Einstellung derselben Parameter für das SLAVE-Gerät.

Befehl 48 Auswahl der Schächte mit Kühlsicherung:

Hier kann gewählt werden, welche Kästen in die Kühlsicherung einbezogen werden. Der Parameter fragt für jeden Kasten ab: Aktivierung = 1 oder Deaktivierung = 0 der Sicherungsfunktion. Kasten 1 ist der erste von oben. Werkseitig sind alle Schächte auf 1 eingestellt.



Damit das Gerät einwandfrei funktioniert, müssen sich die einzurichtenden Schächte mit Kühlsicherung innerhalb des Bereiches mit 3°C befinden (siehe Abschnitt TECHNISCHE EIGENSCHAFTEN).

Bitte beachten: bei aktivierter Verbindung SLAVE-SPIRALEN (siehe Befehl 49) gelangt man nach der Einstellung des MASTER-Gerätes zur Einstellung derselben Parameter für das SLAVE-Gerät.

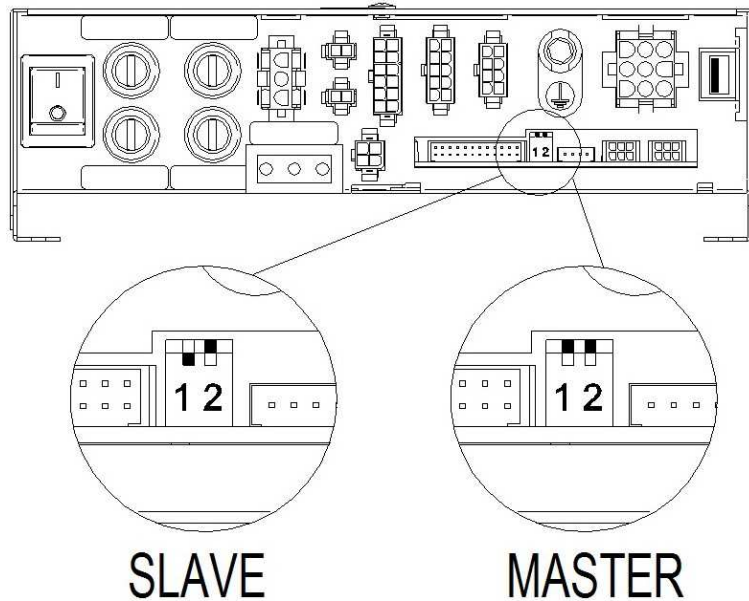
9.2.3 ANLAGE MASCHINENPARAMETER**Befehl 49 Aktivierung / Sperrung Slave-Spiralen:**

Mit diesem Parameter wird die Master-Slave-Verbindung aktiviert. Es ist möglich, ein Slave-Snackgerät anzuschließen. Die Aktivierung muss durch **Befehl 40** auf dem Master- Gerät festgelegt sein.

Um eine Stand-Alone-Maschine als Slave-Maschine zu betreiben:

- Das Gerät mit dem Hauptschalter ausschalten und den Stecker ziehen.
- Trennen Sie den Stecker von der Buchse JP11A auf der Hauptplatine.

- Stellen Sie die Master/Slave-Verbindung mit dem seriellen Kabel her, stecken Sie dazu die Steckverbinder in die Buchsen auf der Rückseite.
- Taufen Sie die Maschine, indem Sie den Dip-Schalter im Schaltkasten betätigen und die Kerbe auf die entsprechende Position stellen, wie in der nebenstehenden Abbildung gezeigt. Um auf den Schaltkasten zugreifen zu können, gehen Sie folgendermaßen vor: ZUGRIFF AUF DEN SCHALTKASTEN UND DAS KÜHLAGGREGAT



Befehl 50 Gerätekonfiguration (Anzahl der Automatenwaren / Schieberkassetten / Timeout Betätigung)

Mit diesem Befehl kann die Anzahl der Automatenwaren (Getriebemotoren) im Gerät gespeichert werden. Später wird bei jedem Einschalten ein Vergleich zwischen der gespeicherten und der ermittelten Konfiguration vorgenommen. Etwaige Abweichungen werden auf dem Display gemeldet. Der Konfigurationsbefehl muss ausgeführt werden bei jeder Änderung des Gerätes, die eine Erhöhung oder Verringerung der Getriebemotorenzahl beinhaltet.

Im nachfolgenden Schritt können die Schieberkassetten konfiguriert werden. Es reicht aus, von oben beginnend die Nummer des Kastens 1 – 7 einzugeben und dort den Parameter 1 zu setzen (ACHTUNG: Der Parameter muss wieder auf Null gesetzt werden, falls die Schieberkassette durch eine Spiralkassette ersetzt wird).

Für die Schieberkassetten wird außerdem die Millimeterdicke der einzelnen Waren abgefragt. Es handelt sich um eine Sicherheit für den Fall, dass die Fotozellen, die das Herunterfallen des Produktes kontrollieren, defekt sind. Diese Sicherheit besteht in einem Timeout für die Aktivierung des Getriebemotors (unter der Nummer 99 kann gleichzeitig das Timeout für alle Automatenwaren vorgegeben werden).

Befehlsparameter 55 Multifunktion zur Aktivierung der Preisdisplays:

(wenn vorhanden)



Um **NUR** die folgende Option vorzugeben, muß der Knopf "Programmierung" zweimal hintereinander gedrückt werden, begleitet von den Tönen des Summers. Auf diese Weise gelangt man zur zweiten Menüebene. Auf dem Display erscheint "Befehl 00". Zum Verlassen des Programmiermodus die Taste "ESC" drücken.

ZUR BEACHTUNG: Falls **Befehl 55** in der ersten Menüebene programmiert wird, sind die Schritte 1, 2 und 8 verfügbar.

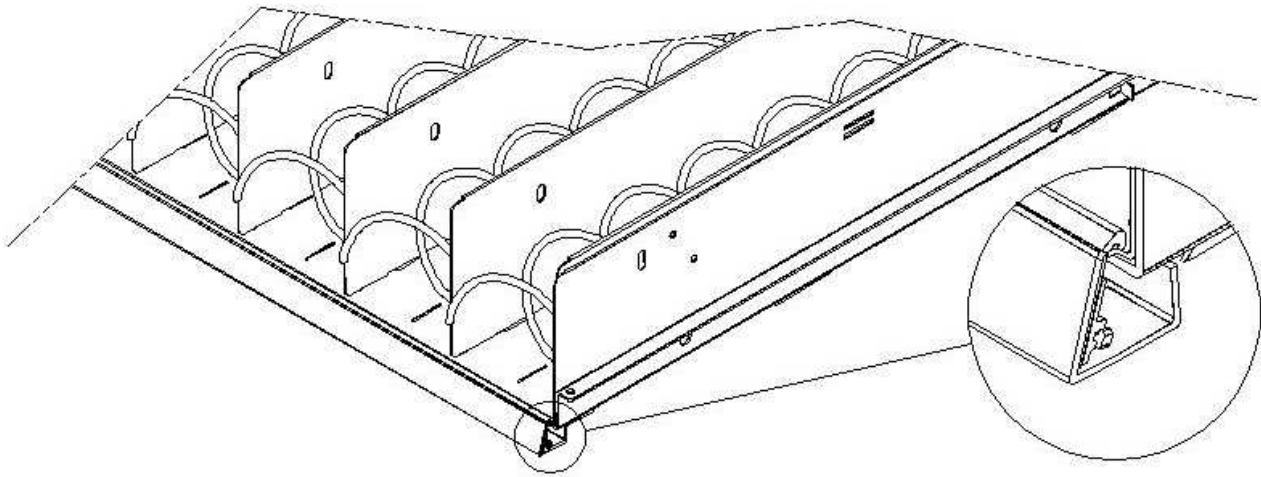
Die Programmierung auf der zweiten Ebene wird normalerweise bei der Installation des Bausatzes vorgenommen, wenn eine oder mehrere Preisdisplayleisten ausgetauscht werden oder falls die Kastenkonfiguration geändert wird.

Zur Änderung der Preise folgen Sie bitte den Angaben aus dem Betriebs- und Wartungshandbuch. Bei jeder Preisänderung werden die Preise beim erneuten Schließen der Tür automatisch in der Anzeige auf der Displayleiste aktualisiert.

Schritt eins: Das System fragt, ob die Funktion aktiviert werden soll: 1 = aktiviert; 0 = nicht aktiviert. Wenn die Verbindung zwischen den Preisdisplays und der Displaysteuerkarte nicht unterbrochen ist, zeigt das Türdisplay die Prüfsumme (checksum) und die Softwareversion der Karte an. Um mit den anderen Einstellungsschritten fortzufahren, bitte die Taste "ENTER" drücken.

Schritt zwei: Das System fragt, auf welchen Kästen die Preisdisplayleiste installiert ist. Für jeden Kasten muss einzeln bestätigt werden (1 = vorhanden; 0 = nicht vorhanden). Kasten 1 ist der erste von oben. Die Abfrage erstreckt sich auf alle Konfigurationen bis zu einem Maximum die 7 Kästen.

Schritt drei: Auf dem Türdisplay wird für jede Schublade die Aufforderung angezeigt, jeder Preisdisplayleiste die zugehörige Adresse zuzuordnen.



Die in der Abbildung gekennzeichnete Taste drücken, die sich auf der rechten Seite der Preisdisplayleiste befindet. Bei jeder Zuordnung ertönt ein Signalton, der der Zuordnung entspricht.

Schritt vier: Das System fragt, ob die Konfiguration des Automaten geändert werden soll (z. B. von Einzelspirale auf Doppelspirale). „ESC“ drücken, wenn die Konfiguration unverändert bleiben soll, „ENTER“ drücken, wenn sie geändert werden soll.

Schritt fünf: Die Anzahl der im Automaten befindlichen Auswahlprodukte vorgeben (Anzahl der Motoren).

Schritt sechs: Das System zeigt auf den Displayleisten die festgestellte Konfiguration an. Ist diese korrekt, drücken Sie bitte „ESC“, andernfalls „ENTER“. Das System gestattet in diesem Fall die manuelle Konfigurierung der einzelnen Kästen: Die Kastennummer eingeben und mit der Taste 1 je nach mechanischer Konfiguration des Kastens dessen Art wählen („Standard“, „Sandwich“ oder „Custom“). Dann mit ENTER die Einstellung abspeichern. Das Ergebnis erscheint sofort in der entsprechenden Displayleiste. Wenn die Konfigurierung erfolgreich war, müsste die Beschriftung der einzelnen Waren zu den Trennwänden, die die einzelnen Waren abgrenzen, zentriert sein. Wird die Schublade „Custom“ gewählt, muss für jede Ware in der Schublade die Anzahl der Zeichen eingegeben werden, die in der Displayleiste für sie vorbehalten sind (auch in diesem Fall erscheint das Resultat nach und nach auf der Displayleiste). Zum Abschluss der Kastenkonfigurierung mit ESC zum nachfolgenden Schritt wechseln.

Schritt sieben: Das System bittet, auf der Preisdisplayleiste den eingegebenen Preis des Auswahlproduktes anzuzeigen. Mit ENTER wird die Funktion ausgeführt

Befehl 56 Einstellung Parameter „Hinterbeleuchtung“:

Für jede Preisdisplayleiste wird der Hinterbeleuchtungswert im Standby-Modus festgelegt: Wert 3 = maximale Helligkeit; Wert 2 = Helligkeit 75%; Wert 1 = Helligkeit 50% und Wert 0 = Helligkeit 25%.

Anschließend wird der Kontrast der Preisdisplayleisten eingestellt. Der Wertebereich liegt zwischen 1 und 16, der Standardwert lautet auf 9. Zur Erhöhung des Kontrastes die Taste 1, zur Verringerung die Taste 2 auf dem Tastenbedienfeld drücken.

Dann wird die Anzeige der Produktbezeichnung eingestellt, die bei Türöffnung auf den Displayleisten erscheint. Parameter 1 bedeutet, dass bei Öffnung der Haupttür bei jeder Ware die zuvor programmierte erläuternde Beschriftung eingeblendet wird (die Programmierung wird mit dem Tool „VMC-configurator live“ vorgenommen).

Dann wird die Option zur Anzeige der Werbebotschaften eingegeben. Dabei handelt es sich um Texte, die auf der Display-Leiste angezeigt werden und abwechselnd Angaben zu dem betreffenden Produkt und dessen Preis anzeigen.

Um den 20-stelligen Text mit den Werbemeldungen in den Automaten einzugeben, siehe den Befehl 80 mit dem Titel „Klonen des Automaten“ Punkte 3 und 4.

Wenn die Option Werbemeldungen freigegeben ist, kann über die Funktion jedem Auswahlpunkt eine der 20 Werbemeldungen zugeordnet werden, die vorher in dem Apparat gespeichert wurden. (N.B.: Um eine Meldung aus einer Auswahl zu löschen, genügt es, die Auswahl einem Text zuzuweisen, der nur aus Leerzeichen besteht. Natürlich ist vorausgesetzt, dass einer der 20 Texte ein reiner Leerzeichentext ist.

Wenn die Zuweisung der Texte zu den Auswahlpunkten fertiggestellt ist, kann der Anzeigemodus der Werbemeldungen eingestellt werden. Es stehen 4 Optionen bereit: ON MODE (immer eingeschaltet), OFF MODE (immer ausgeschaltet), BACKLIGHT BLINKING MODE (blinkende Hintergrundbeleuchtung), TEXT

BLINKING MODE (blinkender Text). Die Werte mit einer beliebigen numerischen Taste durchlaufen und die Wahl mit der Taste „B“ bestätigen.

Gleichermaßen kann der Anzeigemodus für die Anzeigen, die keine Werbemeldungen enthalten eingestellt werden.

Beim nachfolgend geforderten Parameter handelt es sich um die Zeitdauer in Sekunden, wie lange die Werbemeldungen angezeigt werden.

Der letzte Parameter gibt die Zeitdauer an, wie lange die Anzeige der Werbemeldungen unterdrückt wird, also die Zeitdauer zur Anzeige des Produktpreises.

Befehl 58 Freigabe Modus Bestätigung der Auswahl oder Vorauswahl:


Es ist möglich, die Funktion „Bestätigungsabfrage der Auswahl“ freizugeben: Dann wird bei jeder Auswahl die Bestätigung über Druck auf Taste „B“ abgewartet, bevor die Weitergabe und Ausgabe erfolgt. Nachfolgend wird die Zeitdauer abgefragt, wie lange auf die Bestätigung gewartet wird, bevor die Auswahl abbricht.

Alternativ zur vorgenannten Funktion kann die Funktion „Vorauswahl“ mit der entsprechenden Wartezeit freigegeben werden. Hierbei wartet der Automat nach der Auswahl für die Dauer der Wartezeit auf die Bezahlung, um den Verkauf auszuführen.

Befehl 59 Anschlagzähler:

Wenn dieser Parameter auf 1 gesetzt ist, erscheint bei jeder Türöffnung der Anschlagzähler.

Befehl 60 Speicherlöschung:

	Aktiviert man diesen Befehl, so gehen alle Daten verloren und der Automat wird auf die Werkseinstellungen zurückgesetzt.
--	---

Als Antwort auf diesen Befehl zeigt das Display **Code 0000**. Tippt man die Ziffer 6203 ein und drückt dann die Taste ENTER, werden alle Daten aus dem Speicher des Automaten gelöscht. Das Löschen des Speichers geht folgendermaßen vonstatten:

- Programmiermodus, auf dem Display steht Befehl 0
 - Eingabe von 60 und Drücken von ENTER, das Display zeigt Code 0000
 - 6203 eingeben und ENTER drücken, das Display zeigtmemory cleared
- Hinweis: Um den Befehl zu verlassen, darf der Knopf auf der Karte VMC nur einmal gedrückt werden.

Zur Beachtung: Vor der Löschung werden die Zählwerke des Kassenbestandes und der Verkäufe je Ware „gespeichert“. Die Zählerstände können später durch Aufruf des Befehls 60 und Eingabe des Codes 7531 abgerufen werden.

Befehl 61 Nullsetzung security/access code:

Gestattet die Nullung des im Protokoll EVA_DTS verwendeten Zugangscodes.

Befehl 62 Aktivierung Rabatt:

Folgende Rabattierungen sind möglich, je nach Einstellung dieses Parameters:

0 = keine Art von Rabatt.

1 = Rabatt nach Tageszeiten gestaffelt.

2 = Rabatt für Käufe mit Schlüssel/Kreditkarte (nur im Modus MDB möglich).

3 = Rabatt nach Tageszeiten gestaffelt und für Käufe mit Schlüssel / Kreditkarte (nur im Modus MDB möglich).

Zur Beachtung: Damit der Rabatt angewendet wird, müssen die Werte der gewünschten Tageszeiten im Tagestimer 2 eingestellt werden.

Wenn das bargeldlose Zahlungssystem die Anwendung verschiedener Preistabellen gestattet, wird die im Moment der Warenabgabe anzuwendende Tabelle automatisch vom Protokoll ausgewählt, das für die Kommunikation zwischen Gerät und Lesegerät zuständig ist (möglich nur für die bargeldlosen Zahlungssysteme MDB, die über diese Option verfügen).

Befehl 63 Einstellung Einzel-/Mehrfachverkauf:

Wenn der Befehlsparameter auf die Werkseinstellung 0 gesetzt ist, arbeitet der Automat im Einzelverkauf; beim Bargeldverkauf wird das Guthaben, das den Preis überschreitet, erstattet. Wenn dieses nicht möglich ist, erhöht dieser Betrag die Summe der Einnahmen über Preis. Ist der Parameter hingegen auf 1 gesetzt, arbeitet das Gerät im Mehrfachverkauf; ein Betrag, der den Preis überschreitet, wird nach dem

Verkaufsvorgang angezeigt und kann entweder mit dem Geldrückgabeknopf zurückerlangt oder für eine neuerliche Auswahl genutzt werden.

Anschließend wird die Option zum Stehenlassen des überschüssigen Guthabens (Overpay) abgerufen, das dem Benutzer für eine unbestimmte Dauer zur Verfügung steht. 1= Funktion ein, 0 = Funktion aus.

Befehl 64 Anlage Anzeigesprache:

Durch diesen Befehl wird die Sprache geändert, in der die Meldungen auf dem Display angezeigt werden. Wert **0** entspricht der italienischen, **1** der englischen, **2** der französischen, **3** der deutschen, **4** der niederländischen, **5** der schwedischen, **6** der finnländisch, **7** der spanischen, **8** der portugiesischen, **9** der dänischen, **10** der norwegischen Sprache.

Nun wird eine Einstellung angeboten, mit der die Anzeige der Produktzutatenliste aktiviert werden kann. Wird diese Einstellung auf 1 gesetzt, ist die Option aktiviert. Diese Option wird wie folgt verwendet:

- Jedem Produkt eine achtstellige Kennung zuordnen.
- Dieser Code kann mit dem Befehl 6 einzeln für jede Selektion (oder mit dem VMC-configurator) programmiert werden.
- Die Zutatenliste eines Produktes ist in einer Bilddatei niedergelegt, die auf einem USB-Stick gespeichert ist. Dieser Stick wird in die entsprechende Buchse der Karte VMC eingefügt. Der Name der Bilddatei entspricht dem Produktcode und hat zusätzlich die Dateinamenerweiterung .jpg. (Bsp.: wenn ein Produkt mit dem Code 00881133 gekennzeichnet wurde, heißt die entsprechende Bilddatei 00881133.jpg).
- Gibt man die Nummer einer gewählten Automatenware ein, wird die Bilddatei angezeigt, die der Produktkennung der Automatenware entspricht.

Zur Beachtung: Das Bild muss eine Größe von 480 x 272 Pixel und das Format jpg haben (Farbtiefe 24 Bit). Es kann auf einfache Weise mit Paint erstellt werden.

Auf dem USB-Stick lassen sich die Bilder aller geführten Produkte speichern, also nicht nur der, die gerade im Gerät angeboten werden. Wenn ein Produkt gewechselt wird, reicht es deshalb aus, unter Befehl 6 den Code der angebotenen Automatenware zu ändern.

Befehl 66-67 Anzeige Innen- und Verdampfertemperaturen:

Je nach für diese Befehle eingegebenem Wert werden die Informationen festgelegt, die in der zweiten Zeile des Display angezeigt werden (siehe Tabelle). Bei Default wird die Uhr angezeigt.

Befehl 66	Befehl 67	Angezeigter Wert
0	0	Zeigt Uhr an
1	0	Zeigt Innentemperatur an *
0	1	Zeigt Innen- + Verdampfer Temperatur an
1	1	Zeigt Uhr + Innentemperatur an

* Der Befehl 66 gestattet es, die Innentemperatur angeschlossener SLAVE-Geräte anzuzeigen. In diesem Fall wird die Temperatur des Mastergerätes mit TM gekennzeichnet, die der Slaves jeweils mit TA und TB.

Ferner gestattet der Befehl 67 – nur während der Programmierung – die Anzeige der Innentemperatur und der Verdampfer Temperatur bei angeschlossenen SLAVE-Geräten.

Befehl 68 Einstellung Währungsanzeige:

Der Befehl gestattet die Eingabe der gewünschten Währung. 4 Zeichen sind verfügbar, die Eingabe erfolgt auf dieselbe Weise, wie es für den **Befehl 95** vorgesehen ist.

Befehl 69 Wahl Betriebsart des Münzschatgerätes:

Durch dieses Befehl wird die Betriebsart und -modalität des Münzschatgerätes gewählt. Der Parameter kann die folgenden Werte annehmen:

- EXECUTIVE mit Preisen, die im Gerät geführt werden (siehe den entsprechenden Abschnitt).
- EXECUTIVE PRICE HOLDING (die Preise werden im Münzschatgerät programmiert): In diesem Fall müssen die unter Befehl 03 programmierten Preise den im Münzschatgerät programmierten Preisen entsprechen (siehe den zugehörigen Abschnitt). Alternativ kann der Parameter "Price-Display" vorgegeben werden. Ist er aktiviert, arbeitet der Automat ausschließlich mit den vom Zahlungssystem bereitgestellten Preisinformationen. Es ist dann nicht erforderlich, die Preistabellen auszufüllen (Befehle 03 und 04), sondern nur, den Befehl 05 zu programmieren (siehe den zugehörigen Abschnitt).
- BDV 001 (siehe den Abschnitt über die Nutzung des Münzschatgerätes BDV)
- MDB (siehe den Abschnitt über die Nutzung des Zahlungssystems MDB).

Befehl 70 Option akustische Signalfunktion:

Durch Setzen dieses Befehls auf Null schaltet man den akustischen Melder während des Gerätebetriebes aus.

Befehl 73 Zuschalten Photozellen:

Dieser Befehl ist nur dann auf 1 zu setzen, wenn ein Photozellensystem installiert ist. Auf diese Weise wird diese Vorrichtung aktiviert=1/deaktiviert=0. Hinweis: Die Einstellung gilt für beide Geräte (MASTER und SLAVE).

Wird als Parameter 1 vorgegeben (Lichtschanke eingeschaltet), so gelangt man automatisch in das Menü für die mögliche Sperrung dieser Funktion für die gewünschten Warenkategorien (Warenabgabe ohne Kontrolle durch Lichtschanke). Zur Deaktivierung der Option für eine oder mehrere Kategorien einfach die Nummer der Warenkategorie eingeben und anschließend den Wert auf Null setzen.

Bitte beachten: bei aktivierter Verbindung SLAVE-SPIRALEN (siehe Befehl 49) gelangt man nach der Einstellung des MASTER-Gerätes zur Einstellung derselben Parameter für das SLAVE-Gerät.

Befehl 74 Fotozellentest:

Mit diesem Befehl wird geprüft, ob die Fotozellen korrekt funktionieren. Nach der Auswahl des auszuführenden Tests wird automatisch eine Prüfprozedur gestartet, nach deren Abschluss das Ergebnis auf dem Display angezeigt wird. Im Falle einer Betriebsstörung wird am Display ein auf die festgestellte Störung bezogener Wert angezeigt. Die Bedeutung dieses zweiten Wertes ist aus der Tabelle des Befehls 99 ersichtlich.

Befehl 75 Einstellung Betriebsparameter der Lichtschanke:

Dieser Befehl gestattet es, den Betriebsparameter der Lichtschanke bedarfsweise anzuzeigen und zu ändern. Dieser Wert ist für die MASTER-Geräte und angeschlossene SLAVES eindeutig.

Meldung	Voreinstellung	Bedeutung
"Hyster.HL"	6	Dieser Parameter beeinflusst die Leseempfindlichkeit des Systems. Je niedriger der Einstellwert, desto höher die Sensibilität des Systems. Der Wert kann zwischen einem Mindestwert von 5 und einem Höchstwert von 30 schwanken.

Befehl 76 Funktionsoptionen des Systems ("FTC Options"):

Die Einstellung dieses Befehles ist ausschlaggebend dafür, wie sich das Gerät verhält, wenn die Produktabgabe nicht stattfindet. Es lassen sich Werte von 0 bis 3 vorgeben. Voreinstellung = 0.

Die Einstellung hat folgende Bedeutung:

0 = Es kann eine andere Ware ausgewählt werden. In diesem Fall muß Befehl 63 (Einzel-Mehrfachverkauf) auf 1 eingestellt sein (wenn das Zahlungssystem vom Typ Executive ist, muß der Mehrfachverkauf auch im Zahlungssystem eingestellt werden).

1 = Automatische Ausgabe des Guthabens, in diesem Falle muß der Befehl 63 auf 0 eingestellt sein (wenn das Zahlungssystem vom Typ Executive ist, muß der Einzelverkauf auch im Zahlungssystem eingestellt werden).

2 = Weitere Vierteldrehung: Wenn das Produkt nicht abgegeben wird, vollführt die Spirale eine weitere Vierteldrehung. Erscheint die Ware dann immer noch nicht, wird je nach Einstellung des Parameters Einzel- oder Mehrfachverkauf auf eine der vorhergehenden Optionen zurückgegriffen.

- *Wenn man für den Befehlsparameter 76 den Wert 2 vorgibt, ist die Option deshalb standardmäßig für alle Wahlmöglichkeiten deaktiviert. Das Menü zur Aktivierung der Option für einzelne Spiralen wird automatisch aufgerufen. Um die Option für eine bestimmte Spirale zu aktivieren, muss die Nummer des zur Auswahl stehenden Produktes eingegeben und diese Nummer auf den Wert 1 gesetzt werden. Setzt man diesen Wert im Gegensatz dazu auf 0, ist die Option deaktiviert. Die Option ist nicht auf Spiralen mit Halbdrehung anwendbar. Wenn das Zahlungssystem mit dem Protokoll 'Executive' arbeitet, muss die Einzel-/Mehrfachabgabe auch am Zahlungssystem eingestellt sein.****
- *Alternativ kann die Funktion für den Kasten aktiviert / deaktiviert werden: Der Parameter 91 beinhaltet, dass alle Waren des ersten oberen Kastens beispielsweise für die Vierteldrehung freigegeben sind. Einstellwert 92 = 2. Box; 93 = 3. Kasten; 94 = 4. Box; 95 = 5. Kasten; 96 = 6. Box; 97 = 7. Kasten; wird die Funktion für die Ware 99 programmiert, sind entsprechend alle Waren des Automaten freigegeben oder gesperrt.****

3 = Multistep (Mehrfache Teildrehungen): Falls das Produkt nicht ausgegeben wird, führt die Spirale eine weitere Achteldrehung aus, die 4 mal wiederholt wird, sollte das Produkt immer noch nicht ausgegeben werden. Beim fünften Versuch macht die Spirale eine Drehung voll. Geprüft wird, ob das Produkt ausgegeben wird oder nicht. Eventuell wird eine der Optionen 1 oder 2 wieder aufgerufen, je nach dem, wie der Parameter Einzel- oder Mehrfachverkauf eingestellt ist.

Auch in diesem Fall muss die Funktion für jede angebotene Ware, kastenweise oder allgemein (für alle Warenablagen) aktiviert werden (siehe Punkt 2).

Danach gestattet das System die Einstellung der Option "leer". Falls diese aktiviert wird (Einstellwert 1), ist die Automatenware bei Nichtausgabe des Produktes bis zur nachfolgenden Öffnung der Haupttür gesperrt.

Anschließend fragt das System die Optionen der FOTOZELLENSICHERUNG ab:

Wird diese Funktion eingeschaltet (Parameterwert = 1), muss für ein Zeitfenster (in Minuten) eine bestimmte Anzahl von Produkten eingegeben werden. Wird innerhalb dieses vorgegebenen Zeitintervalls eine programmierte Anzahl von Produkten nicht ertastet, werden die Fotozellen deaktiviert. Das Ereignis wird auf dem Display beim Öffnen der Tür angezeigt und darüber hinaus unter dem Befehlsparameter 99 mit dem Fehlercode 39 aufgezeichnet. Die Wiederinbetriebnahme der Fotozellen kann je nach Programmierung manuell oder automatisch erfolgen. Falls sie manuell vorgenommen wird, der Parameter somit auf 0 gesetzt ist, muss die Funktion TEST VEND aufgerufen werden, um den Betrieb der Fotozellen wieder aufzunehmen. Wird automatisch zurückgestellt, die Parametereinstellung lautet also auf 1, so versucht das System nach 15 Minuten selbsttätig, den Betrieb wieder herzustellen.

Bitte beachten: bei aktivierter Verbindung SLAVE-SPIRALEN (siehe Befehl 49) gelangt man nach der Einstellung des MASTER-Gerätes zur Einstellung derselben Parameter für das SLAVE-Gerät.

Befehl 80 USB Menu:

Wenn man auf den Befehl 80 zugreift, wird ein Auswahlm Menü mit folgenden Optionen angezeigt:

1. **Maschinenklonung**
2. **Audit über USB**
3. **Softwareaktualisierung**

Um auf die gewünschte Funktion zuzugreifen, muss nur die entsprechende Zahl auf der Auswahltastatur eingegeben werden, nachdem der USB-Stick in die dafür vorgesehene Steckverbindung an der Hauptplatine eingesteckt wurde.

Maschinenklonung

Danach sind vier Optionen möglich:

1. - Schreiben der Konfigurationsdaten auf einen USB-Stick.

Mithilfe dieser Funktion können alle Programmierungsparameter auf einen USB-Stick übertragen werden. Falls nicht bereits programmiert, wird der "Konfigurationscode" verlangt (siehe Hinweis). Nachdem der Code eingegeben und bestätigt wurde, werden zwei Optionen vorgeschlagen:

B. Das Schreiben der Klon-Datei auf den USB-Stick starten (der Dateiname wird auf dem Display angezeigt).

1. Ändern des Konfigurationscodes

Durch Drücken der Taste B wird begonnen, die Datei auf den USB-Stick zu schreiben, und es wird eine entsprechende Leiste über den Prozessfortschritt angezeigt. Bevor der USB-Stick entfernt werden kann, muss erst die Meldung "Das Schreiben der Datei wurde beendet" abgewartet werden.

Wenn beispielsweise der Konfigurationscode 00000123 programmiert wird, trägt die auf dem USB-Stick erstellte Datei den Namen: "YOUNG_00000123.DAT". Sollte auf dem USB-Stick eine Datei mit dem gleichen Namen vorhanden sein, würde diese vor dem Schreiben der neuen Datei umbenannt, indem dem Namen eine fortlaufende Nummer hinzugefügt wird.

Zur Beachtung: Will man die kompletten Konfigurationsdaten auf den Stick exportieren, muss ein Klonen erfolgen, nachdem man die zweite Programmierstufe geöffnet hat (erweitertes Klonen).

2. Lesen der Daten vom Stick - Lesen der Konfigurationsdaten vom USB-Stick:

Mithilfe dieser Funktion können die auf einem USB-Stick enthaltenen Konfigurationsdaten gelesen werden. Falls nicht bereits programmiert, wird der "Konfigurationscode" verlangt (siehe Hinweis). Nachdem der Code eingegeben und bestätigt wurde, werden zwei Optionen vorgeschlagen:

B. Lesen der Datei vom USB-Stick (der Dateiname wird auf dem Display angezeigt).

1. Ändern des Konfigurationscodes

Durch Drücken der Taste B wird mit dem Lesen der Datei vom USB-Stick begonnen und eine entsprechende Leiste über den Fortschritt des Leseprozesses angezeigt. Bevor der USB-Stick entfernt werden kann, muss erst die Meldung "Leseprozess beendet" abgewartet werden.

Wenn beispielsweise der Konfigurationscode 00000123 programmiert wird, trägt die vom USB-Stick gesuchte und gelesene Datei den Namen: "YOUNG_00000123.DAT". Demnach können auf demselben USB-Stick mehrere Programmierungsdateien für Automaten des gleichen Modells gespeichert sein, die aber auf andere Weise konfiguriert und durch ihren "Konfigurationscode" unterschieden werden.

3. Die Textmeldungen auf USB-Stick kopieren:

Mit dieser Funktion werden die 20 derzeit im Automaten programmierten Werbemeldungen auf den USB-Stick kopiert. Die dadurch erstellte Datei trägt den Namen „PromoMessages.txt“. Über ein Textverarbeitungsprogramm (z.B. Notepad) können die Texte im Computer bearbeitet werden und dann wieder in den Automaten mit der nachfolgenden Option eingelesen werden.

4. Die Textmeldungen vom USB-Stick auslesen:

Diese Funktion führt die gegenteilige Aktion der vorherigen durch. Hier wird der Inhalt (die bearbeiteten Texte) der Datei „PromoMessages.txt“ vom USB-Stick in den Automaten kopiert.

Hinweis: Die Einstellung der meisten Maschinenparameter (in Bezug auf jede Auswahl der Preise, Preislinien, Produktcodes usw.) hängt von der mechanischen Konfiguration (Layout) des Automaten ab. Zu diesen Zweck wurde der "Konfigurationscode" bestehend aus 8 Zeichen eingeführt, mit dem jeder Automat oder jede Automatenengruppe mit derselben Konfiguration eindeutig identifiziert wird. Der Konfigurationscode und der Name des Automatenmodells bilden dann den Namen der Datei, in der sowohl die ausgehenden (Klonen) als auch die eingehenden Programmierungsparameter (gelesenen Daten vom USB) gespeichert sind. Der "Konfigurationscode" wird angefragt, wenn der Vorgang zum Klonen oder das Lesen der Daten vom USB-Stick erstmals ausgeführt wird. Der Code bleibt solange unverändert, bis er vom Anwender gewollt geändert wird.

Für jeden neuen Automaten (oder neue Konfiguration) sollte folgendermaßen vorgegangen werden:

1. Die mechanische Konfiguration nach Bedarf ändern.
2. Den Befehl 50 ausführen, um die Konfiguration der Auswahlpunkte zu speichern.
3. Ein erweitertes Klonen (zweite Programmierstufe) ausführen und gleichzeitig den "Konfigurationscode" programmieren.
4. Die so erhaltene Datei in den VMC Konfigurator Live importieren.
5. Alle gewünschten Änderungen/Einstellungen der Maschinenparameter vornehmen und die Datei speichern.
6. Die Datei auf den USB-Stick exportieren.
7. Den Automaten mithilfe des USB-Sticks neu programmieren.
8. Alle nachfolgenden Änderungen der Maschinenparameter müssen vom Konfigurator vorgenommen werden oder in den Konfigurator übertragen werden, wenn diese vor Ort durchgeführt werden.

Wenn die Automaten mit derselben Konfiguration nach Gruppen verwaltet werden, dann muss bei jedem neuen Automat, der zu einer Gruppe gehört, deren Programmierung bereits gespeichert wurde, einfach nur Punkt 7 ausgeführt werden.

Audit über USB - Entnahme der Verkaufsdaten:

Mithilfe dieser Funktion kann die Datei EVA-DTS auf einen USB-Stick übertragen werden. Durch Drücken der Taste B wird begonnen, die Datei auf den USB-Stick zu schreiben, und es wird eine entsprechende Leiste über den Prozessfortschritt angezeigt. Bevor der USB-Stick entfernt werden kann, muss erst die Meldung "Das Schreiben der Datei wurde beendet" abgewartet werden.

Die erstellte Datei auf dem USB-Stick trägt den Namen: "AUDIT_YOUNG_140919153228.DAT" (die Ziffern stehen in ihrer Reihenfolge für Jahr/Monat/Uhrzeit/Minuten/Sekunden entsprechend der Automatenuhr).

Softwareaktualisierung – Firmware Karten-Update

Wenn man den Menüpunkt "Softwareaktualisierung" auswählt, erscheint ein Untermenü mit folgenden Auswahloptionen:

1. **Aktualisierung der aktuellen VMC**
2. **Neues VMC-Modell laden**
3. **Aktualisierung der Karte Power (auch für den Slave gültig)**
4. **Display aktualisieren**

Bevor man auf den Befehl zugreift, muss der Stick in den USB-Anschluss der zu aktualisierenden Karte gesteckt werden.

1. Lädt die aktualisierte Software für dasselbe Maschinenmodell (z. B. YOUNG mit YOUNG, Winning mit Winning). Wenn der Vorgang beendet ist, wird der Automat neu gestartet. **ACHTUNG** Auf dem Stick könnten mehrere Programmierungsdateien vorhanden sein, die sich aber auf unterschiedliche Automatenmodelle beziehen. Es kann nicht mehr als eine Datei für dasselbe Automatenmodell vorhanden sein.
2. Lädt die Software für ein anderes Automatenmodell (z. B. YOUNG für Winning oder umgekehrt). **ACHTUNG** Auf dem USB-Stick darf nur die zu ladende Datei enthalten sein.
3. Bevor die Zahl 3 eingegeben wird, ist die Entnahmeklappe zu entfernen. Den USB-Stick in die dafür vorgesehene Steckverbindung an der Vorderseite der Stromtafel stecken. Wenn der Vorgang beendet ist, wird der Automat neu gestartet.
4. In diesem Fall muss der USB-Stick in die dafür vorgesehene Steckverbindung an der Hauptplatine gesteckt werden.

Befehl 85 Anzeige Prüfsumme (checksum) und Softwareversion der Hauptplatine und der Netzversorgungsplatine.

Befehl 88 Aktivierung Produkterhitzung auf dem WAVEMODUL (wenn Geschenk):

Dieser Befehl steuert die Säule der Mikrowellenöfen. Wert 1 = aktiviert; 0 = nicht aktiviert.

Bei aktivierter Funktion fragt das System danach, die Heizdauer in Sekunden zu programmieren für Produkte, die zu allen Auswahlen der Mastermaschine (YOUNG) gehören. Die Einstellwerte liegen zwischen 0 und 180 Sekunden.

Die eingestellten Erhitzungszeiten sind für einen Gebrauch bei maximaler Leistungsabgabe ausgelegt

Befehl 90 Auswahl Auditprotokoll / Telemetrie-Aktivierung:

Die Steuerkarte ist mit einer Steckbuchse RS232 ausgestattet. Der I/O-Steckverbinder ist ein 9-poliger Sub-D-Stecker, mit dem folgende Stifte verwendet werden:

- Pin 2 VMC Tx - Pin 3 VMC Rx - Pin 5 Ground -Pin 7 CTS

Wenn man mit jeder beliebigen Taste, ausgenommen der Tasten A und B, das Menü durchblättert, kann der Drucker (PRINTER) ausgewählt werden: Der Automat betreibt einen allgemeinen, seriellen Drucker für Quittungen, der an die Steckbuchse RS232 angeschlossen ist. Die Übertragung erfolgt in diesem Fall mit 9600 Baud, 8 Datenbits, keine Parität und 1 Stopbit. Das Anschlusskabel verwendet die Stifte 2, 5 und 7.

Wenn der Drucker online ist, erhält man durch Drücken der Taste für den externen Zugriff auf die Programmierung der Münzbox den Ausdruck der Verkaufsdaten.

Indem man im Menü EVA-DTS DDCMP auswählt, kommuniziert der Automat mit der Außenwelt über die Infrarot-Schnittstelle 082925 (Schnittstelle IRDA) oder über die physische Verbindung am 9-poligen Sub-D-Stecker anhand der Spezifikationen des Protokolls EVA-DTS - Version 6.0.

Der Automat schlägt die Anschlussart vor: Infrarot-Schnittstelle (OUTPUT OPTICAL LINK) oder 9-poliger Sub-D-Stecker der Karte (OUTPUT RS232). Beim Anschluss mit dem Sub-D-Stecker werden die Steckerstifte 2= VMC Tx, 3=VMC Rx, 5= GROUND verwendet.

Der Automat fordert die Eingabe der Peripherieadresse: Den gewünschten Wert eingeben (1 für Punkt-zu-Punkt-Verbindung) und die Taste "ENTER" drücken.

Daraufhin wird eine Auswahl der Übertragungsgeschwindigkeit angezeigt, die im Fall der Infrarot-Verbindung mit der Einstellung der Karte 082925 übereinstimmen muss (siehe dazu die entsprechende Anleitung). Der Bereich ist mit Werten von 2400÷115200 Baud einstellbar oder zwischen Automat und Terminal übertragungsfähig (die Option ist nur bei der Verbindung über Kabel gültig). Die Wahl wird getroffen, indem man die verschiedenen Geschwindigkeitsoptionen mit einer beliebigen Taste der Tafel durchläuft und den gewünschten Wert mit der Taste "ENTER" bestätigt.

Anschließend wird die Option "Freigabe der Telemetrie" eingestellt. Wert 1 = Funktion aktiviert, Wert 0 = Funktion deaktiviert. Standard-Wert = 0. **ACHTUNG:** Die Option kann nur freigegeben werden, wenn das Telemetriegerät die Übermittlung von Ereignissen durch den Automaten unterstützt (in diesem Fall agiert der Automat als Master und beginnt die Sitzung DDCMP).

Somit ist es möglich, das "Löschung der temporären Daten" bzw. die Löschung der zurücksetzbaren Zähler nach deren Lesung zu aktivieren (Wert auf 1 gesetzt). Daraufhin besteht die Möglichkeit, die unmittelbare Löschung der temporären Daten zu aktivieren oder beizubehalten, dass sie nach der ersten, vom Automaten durchgeführten Kauftransaktion zurückgesetzt werden.

Wenn der Befehl eingestellt ist, kommuniziert der Automat über das Protokoll DEX UCS mit der Außenwelt.

Befehl 91 Eingabe der Gerätekenndaten:

Die erste vorzunehmende Eingabe betrifft die Seriennummer des Gerätes (nur den Zahlenteil), also einen achtstelligen Code.

Als zweites sind max. 30 Zeichen im alphanumerischen Format vorzugeben, die den Gerätestandort bezeichnen. Bei der Eingabe der Bezeichnung richten Sie sich bitte nach der Tabelle von Befehl 95. Die dritte Eingabe betrifft die Gerätekenndaten (Asset number).

Sämtliche genannte Daten werden anschließend in der Auditdatei zur Identifizierung des Gerätes widergegeben.

Befehl 92 Nullsetzung Verkaufsdaten:

Dieser Parameter gestattet es, die Verkaufsdaten des Gerätes zu nullen (siehe Befehl 10). Dazu ist die Eingabe eines besonderen Zugangscodes notwendig. Vorgehensweise:

- Programmiermodus, auf dem Display steht Befehl 0
- 92 eingeben und ENTER drücken, das Display zeigt Code 0000
- 1221 eintippen und ENTER drücken, auf dem Display erscheintDATEN NULLEN ?'

Betätigt man die Taste ENTER, werden alle Verkaufsdaten auf Null gesetzt, drückt man hingegen ESC, kehrt man ohne Änderung der Daten zum Hauptmenü zurück.

Befehl 95 Einstellungen Anzeigefunktionen des Displays (Benutzerhinweis/Diashow interne Bilder/Diashow USB-Bilder):

Es können nicht mehrere Funktionen gleichzeitig aktiviert werden.

1. Die Meldung, die abwechselnd mit den normalen Hinweisen alle 8 Sekunden auf dem Display erscheint, besteht aus einem Titel (max. 28 Zeichen) und einem Textkorpus (max. 80 Zeichen). Die Texte werden durch Eintippen des jeweiligen Zeichencodes eingegeben (siehe Tabelle) oder mit dem VMC-configurator.
2. Die interne Präsentation besteht in einer Reihe von vorgegebenen Bildern, die angezeigt werden, wenn sich die Maschine im Standby befindet.
3. Die USB-Präsentation besteht in einer Reihe von Bildern, die vom Benutzer auf einem USB-Stick gespeichert worden sind und die im Standby-Zustand des Automaten angezeigt werden. Die Bilder müssen das Format jpg besitzen und dürfen eine Auflösung von maximal 480 x 272 Punkten haben und Farbtiefe 24 Bit.

Falls er aktiviert ist, erscheint in der ersten Displayzeile die aktuell verfügbare Meldung, In der zweiten Displayzeile erscheint "**Zeichen 00**", während in der dritten Displayzeile der aktuell verfügbare Text erscheint. Gibt man die Codes der Zeichen ein, die eingefügt werden sollen (siehe folgende Tabelle) und bestätigt man sie jeweils mit der Taste ENTER, wird die gewünschte Meldung geschrieben. Zum Abschluß kehrt man mit der Taste ESC zum Hauptmenü zurück.

CODE	SCHRIFTZEICHEN	CODE	SCHRIFTZEICHEN	CODE	SCHRIFTZEICHEN
00	Kursor nach vorne	28	E	56	g
01	Kursor zurück	29	F	57	h
02	Leer	30	G	58	i
03	!	31	H	59	j
04	“	32	D	60	k
05	#	33	J	61	l
06	\$	34	K	62	m
07	‘	35	T	63	n
08	,	36	M	64	o
09	-	37	H	65	p
10	.	38	O	66	q
11	/	39	P	67	r
12	0	40	Q	68	s
13	1	41	R	69	t
14	2	42	S	70	u
15	3	43	E	71	v
16	4	44	U	72	w
17	5	45	V	73	x
18	6	46	W	74	y
19	7	47	X	75	z
20	8	48	Y	76	å
21	9	49	Z	77	ø
22	:	50	a	78	æ
23	;	51	b	79	ä
24	C	52	c	80	ö
25	B	53	d	81	ü
26	C	54	e	82	°
27	D	55	f		

Das Zeichen mit dem Code 00 läßt den Cursor um eine Stelle nach vorne rücken.

ACHTUNG! Wenn der Cursor sich nach dem ersten Zeichen des Hinweises befindet und die Taste ESC gedrückt wird, um zum Hauptmenü zurückzukehren, wird die Meldung an der Stelle des Cursors unterbrochen; vor dem Verlassen führen Sie also den Cursor an das Ende des Hinweises.

Es ist ratsam, den Hinweis auf einem Stück Papier zu schreiben, dort die Codes aus der Tabelle zu vermerken (einschließlich Leerzeichen) und erst dann im Gerät zu programmieren.

Befehl 99 Menü Ereignisanzeige:

Es stehen folgende Optionen zur Verfügung:

1. Fehlerereignisse
2. Ausschaltungen/Einschaltungen
3. Ermittlung der Temperaturen
4. Wiederherstellung der Log-Datei.

1. Fehlerereignisse

Gestattet die Anzeige der letzten 20 Fehlerereignisse. Mit der Taste ENTER kann zwischen den Anzeigen gewechselt werden. Zum Abschluß der Anzeige fragt das System nach der Bestätigung für die Nullsetzung sämtlicher Daten. Mit ENTER bestätigen oder mit ESC die Aufzeichnung unverändert lassen.

FEHLER-CODE	UNTER-CODE	URSACHE
01	Ziffer Auswahlcode	Motor blockiert (die Spirale dreht sich nicht)
02	Ziffer Auswahlcode	Die Spirale führt keine vollständige Drehung durch
05	Ziffer Auswahlcode	Motor nicht angeschlossen
09	Ziffer Auswahlcode	Wahrscheinlicher Defekt des Mikroschalters oder des Spiralmotorkabels
10	(*) 38 - 39	Interne Temperatursonde defekt
11	(*) 38 - 39	Verdampfer-sonde defekt
16	(*) 33 - 38 - 39	Störung Kommunikation mit Peripherie (Karte elektrisches Schaltbrett)
17	(*) 38 - 39	Break Kommunikationen während des Abgabevorganges ohne Guthaben-Vereinnahmung
18	(*) 38 - 39	Break Kommunikationen während des Abgabevorganges mit Guthaben-Vereinnahmung
30	(*) 38 - 39	Eingriff Kühlungssicherheit
31	(*) 38 - 39	Fehler Fotozellentest
32÷38	(*) 38 - 39	Fehler Fotozellenjustierung
39	(*) 38 - 39	Fotozellensicherung
51	(*) 38 - 39	Unterbrechung der Peripherieverbindung zu Beginn des Verkaufsvorganges.
55	/	Zahlungssystem außer Betrieb.
61	Ziffer Auswahlcode	Motor blockiert (die Spirale dreht sich nicht) SLAVE A
62	Ziffer Auswahlcode	Die Spirale führt keine vollständige Drehung durch SLAVE A
65	Ziffer Auswahlcode	Motor nicht angeschlossen SLAVE A
69	Ziffer Auswahlcode	Wahrscheinlicher Defekt des Mikroschalters oder des Spiralmotorkabels SLAVE A
91	Ziffer Auswahlcode	Die Automatenwaren sind nicht verkaufsbereit.
93	/	Eingriff Kühlungssicherheit

(*) Legende:

33 = Fotozelle
38 = Master Spiralen
39 = Slave Spiralen

2. Ausschaltungen/Einschaltungen:

Anzeige der letzten 10 Zeiträume, in denen der Automat ausgeschaltet war. Auf den Display erscheinen die folgenden Werte:

POWER OFF	DATUM	STUNDE
POWER ON	DATUM	STUNDE

Taste ENTER drücken, um von einer Anzeige auf die andere überzugehen.

Bitte beachten: Die Uhr muß programmiert werden, um zuverlässige Werte zu haben.

3. Ermittlung der Temperaturen:

Es wird der Verlauf der Innentemperatur in den letzten 24 Stunden angezeigt. Die Werte werden alle 15 Minuten ermittelt. Um alle Werte anzuzeigen, genügt der Druck auf die „B“-Taste.

Um die Ermittlung auszuführen, muss die Uhr programmiert werden (siehe Befehl 02). Nach der Uhrprogrammierung werden alle Werte auf Null gesetzt.

4. Wiederherstellung der Log-Datei.

Hierüber können alle Erfassungen des Automaten in einer Textdatei auf einen USB-Stick gespeichert werden: Sollwert-Parameter des Kühlaggregats, Temperaturen, Abtauzyklen, Ausschaltungen/Einschaltungen, Fehlerereignisse. Auf dem USB-Stick gespeicherte Datei "PrintYOUNG_codice_configurazione_dataora".

9.3 VERWENDUNG DES MÜNZGERÄTES BDV



Der Anschluss des Münzschatgerätes darf nur bei ausgeschaltetem Gerät vorgenommen und getrennt werden.

Den Automaten einschalten, in die Programmierung eintreten und **Befehl 69 auf 4 stellen**. Danach den Automaten einige Sekunden lang ausschalten. Beim erneuten Einschalten kommunizieren Automat und Münzschatgerät korrekt.

Befehl 30	Einkaufspflicht vor Restrückgabe	(Def. 0)
Befehl 31	Maximaler Kredit	(Def. 0)
Befehl 32	Maximaler Wert der zurückgegebenen Münzen	(Def. 0)
Befehl 33	Untersagung Einzelmünzen	(alle befähigt)
Befehl 34	Untersagung Münzen kleine Rückgabe	(alle befähigt)
Befehl 35	Münzenniveau Meldung Genauer Betrag	(Def. 0)
Befehl 36	Gleichung genauer Betrag	(Def. 0)
Befehl 37	Einschaltung Kreditkartenleser	(Def. 0)
Befehl 38	Entleerung Rückgaberohre.	
Befehl 39	Einfüllung der Rückgaberohre.	

Befehl 30 Einkaufspflicht vor Restrückgabe:

Indem man diesen Befehl auf 1 stellt, muß der Kunde erst das Produkt einkaufen, um dann den Restbetrag erhalten zu können. Dies, damit man das Münzgerät nicht als Geldwechsler verwendet. Wenn kein Verkauf stattfindet, wird der Restbetrag ausgegeben.

Befehl 31 Maximaler Kredit:

Der maximale Kredit, der vom Münzgerät angenommen wird, ist hier eingestellt. Beim Überschreiten dieses Wertes können keine weiteren Münzen mehr angenommen werden.

Befehl 32 Maximaler Wert der zurückgegebenen Münzen:

Dieser Befehl funktioniert nur bei Mehrfachabgabe. Falls der Wert des nach einem Verkauf zurückgebliebenen Kredits höher ist als der Wert, der mit Befehl eingegeben wurde, kann kein Restbetrag ausgegeben werden. Deswegen muss man weitere Einkäufe durchführen, bis der zurückgebliebene Kredit niedriger ist als derjenige, der hier eingestellt ist. Den Rückgabehebel betätigen, um den Restbetrag zu erhalten.

Befehl 33 Untersagung Einzelmünzen:

Durch diesen Befehl kann das Münzgerät Sondermünzen nicht annehmen. Falls z.B. die Münze 5 nicht angenommen werden sollte, wie folgt vorgehen:

1. Programmierungsverfahren, Display stellt dar Befehl 00
2. 33 eintasten und ENTER drücken, auf dem Display erscheint Coin Nr.00
3. 5 eintasten und ENTER drücken, auf dem Display erscheint0
4. 1 eintasten und ENTER drücken.

Befehl 34 Münzensperrung bei genauem Betrag:

Dieser Befehl sperrt die Annahme von besonderen Münzen bei kleinem Restbetrag, d.h. wenn der Display die Meldung "Nur genauen Betrag einfügen" anzeigt.

Befehl 35 Münzenniveau Meldung genauer Betrag:

Es kann ein Wert zwischen 0 und 15 programmiert werden, der die Anzahl der Münzen darstellt, die zum vorgegebenen Mindeststand des Rohrinhalts hinzugefügt werden müssen, um die "Genauer Betrag"-Bedingung zu verlassen.

Befehl 36 Gleichung genauer Betrag:

Dieser Befehl stellt die Kombinationen der leeren Räume der Rohre dar, damit die Meldung „genauer Betrag“ aktiviert wird. Es folgt eine Liste der möglichen Kombinationen:

0 = A oder (B und C)	1 = A und B und C	2 = nur A und B
3 = A und (B oder C)	4 = nur A	5 = nur A oder B
6 = A oder B oder C	7 = nur A und C	8 = nur A oder C
9 = nur B und C	10 = nur B	11 = nur B oder C
12 = nur C		

Befehl 37 Einschaltung Kreditkartenleser:

Indem man diesen Befehl auf 1 einstellt, wird der Betrieb des Kreditkartenleser aktiviert.

Befehl 38 Entleerung Rückgaberohre:

Dieser Befehl wird verwendet, um den Bestand der Münzen aufzunehmen, die sich in den Rohren des Münzgerätes befinden. Um die Austeilung von Rohr 1 (Münzen niedrigeren Wertes) zu erhalten, wie folgt vorgehen:

1. Programmierungsverfahren, Display stellt dar Befehl 00
2. 38 eintasten und ENTER drücken, Display stellt dar Rohr Nr. 00
3. 1 eintasten und ENTER drücken.

Das Münzgerät fängt an, die Münzen des gewählten Rohres auszuteilen, bis man Taste ESC losläßt.

Befehl 39 Anfüllung Rückgaberohre:

Wie folgt vorgehen:

1. Programmierungsverfahren, Display stellt dar Befehl 00
2. 39 eintasten und ENTER drücken
3. Die Münzen in das Münzgerät einfügen
4. Taste ENTER nochmals drücken

Zur Beachtung: Falls das Verfahren nicht genau durchgeführt wird, könnten falsche Werte in den Befehlen 09 und 10 vorgefunden werden.

9.4 VERWENDUNG ZAHLSYSTEME MDB



Der Anschluss des Münzschatgerätes darf nur bei ausgeschaltetem Gerät vorgenommen und getrennt werden.

Den Automaten einschalten, in die Programmierung eintreten und **Befehl 69 auf 5 stellen**. Danach den Automaten einige Sekunden lang ausschalten. Bei der Wiedereinschaltung werden der Automat und das Münzgerät auf korrekter Weise in Verbindung stehen.

Bei der Wiedereinschaltung werden der Automat und das Münzgerät auf korrekter Weise in Verbindung stehen.

Befehl 27	Einstellung Signalgebung Zahlungssystem außer Betrieb.
Befehl 28	Auswahl Zähler Inhalt Wechselgeldröhren.
Befehl 29	Sperrn Anzeige Cashless-Guthaben.
Befehl 30	Einkaufspflicht vor Restrückgabe.
Befehl 31	Einstellung des akzeptierten Höchstguthabens bei Verkauf mit Schlüssel oder Bargeld.
Befehl 32	Mindestanzahl Münzen in den Geldrückgaberöhren.
Befehl 33	Sperrn einzelner Münzen/Banknoten.
Befehl 34	Sperrung der Münzen bei genauem Betrag / Freigabe Escrow Geldscheine
Befehl 35	Nullsetzung der Zähler für Münzen in den Restgeldröhren.
Befehl 36	Zustand exakter Betrag (Zu wenig Wechselgeld)
Befehl 37	Sperrung Banknotenableser bei genauem Betrag.
Befehl 38	Entleerung Rückgaberohre.
Befehl 39	Einfüllung der Rückgaberohre.

Befehl 27 Einstellung Signalgebung Zahlungssystem außer Betrieb:

Wenn dieser Steuerparameter auf 1 gesetzt ist, so wird der Verkaufsautomat außer Betrieb gesetzt, wenn die Verbindung zum Zahlungssystem MDB unterbrochen wird. Auf dem Display erscheint dann die entsprechende Meldung. Wurde der Parameter auf 0 (Null) gesetzt, ist die Option deaktiviert. Die Vorbesetzung lautet 0.

Befehl 28 Auswahl Zähler Inhalt Wechselgeldröhren:

Mit diesem Befehl läßt sich einstellen, ob die Zähler für den Inhalt der Wechselgeldröhren des Münzschatgerätes oder ausschließlich die internen Zählwerke des Gerätes benutzt werden sollen. Wenn der Parameter auf 1 steht, werden die geräteinternen Zähler für den Inhalt der Wechselgeldröhren bei jedem Power-Up mit dem vom Münzschatgerät übermittelten Wert aktualisiert. Ist als Wert 0 vorgegeben, werden die vom Münzschatgerät gesendeten Werte ignoriert.

Befehl 29 Sperrn Anzeige Cashless-Guthaben:

Mit diesem Befehl läßt sich die Anzeige des Guthabens aktivieren oder deaktivieren, das vom Cashless-Gerät MDB übertragen wird (Schlüssel- oder Kartenlesegerät). Steht dort der Parameter 1, so wird das Cashless-Guthaben nicht angezeigt, ist 0 vorgegeben, wird diese Anzeige aktiviert.

Befehl 30 Einkaufspflicht vor Restrückgabe:

Indem man diesen Befehl auf 1 stellt, muß der Kunde erst das Produkt einkaufen, um dann den Restbetrag erhalten zu können. Dies, damit man das Münzgerät nicht als Geldwechsler verwendet. Wenn kein Verkauf stattfindet, wird der Restbetrag ausgegeben.

Befehl 31 Einstellung des akzeptierten Höchstguthabens bei Verkauf mit Schlüssel oder Bargeld:

Das vom Münzspeicher angenommene Höchstguthaben bei Warenausgabe gegen Schlüssel/Karte oder Bargeld wird hier eingestellt. Bei Überschreiten dieses Wertes wird die Annahme weiterer Geldmünzen/Banknoten gesperrt. Als nächste Option wird die Maximalrückgabe abgefragt, also die Münzmenge, die höchstens zurückgegeben werden kann. Der Standardwert lautet 1000, der Höchstwert 9000.

Befehl 32 Mindestanzahl Münzen in den Geldrückgaberöhren:

Es stellt die für jeden Münzspeicher geltende Mindestanzahl an Münzen dar, die sich in jeder Röhre befinden muss, damit die Geldrückgabe richtig funktioniert (der richtige Parameterwert kann dem Handbuch des Münzspeichers entnommen werden). Wenn jeder Röhre ein anderer Wert zugeordnet ist, muss der Höchstwert unter den deklarierten eingegeben werden. Die richtige Einstellung dieses Parameters ist von grundlegender Wichtigkeit für die richtige Bargelderfassung durch den Automaten.

Zur Beachtung: Die Angabe des Röhrenbestandes - Befehl 38 - wird beendet, wenn der Inhalt aller Röhren den unter Befehl 32 eingestellten Wert erreicht hat. Um die Röhren gänzlich zu leeren, verwenden Sie die Ausgabeknöpfe des Münzspeichers.

Befehl 33 Sperren einzelner Münzen/Banknoten:

Dieser Befehl gestattet die beiden folgenden Einstellungen:

1. Annahmesperre bestimmter Münzwerte durch das Münzschaftgerät.
2. Annahmesperre bestimmter Banknoten durch den Banknotenleser.

Für den Übergang von Punkt 1 zu Punkt 2 die Taste ESC drücken.

Bitte beachten: Die Münzen sind nach aufsteigendem Wert geordnet.

Befehl 34 Münzensperrung bei genauem Betrag/ Freigabe Escrow Geldscheine:

Dieser Befehl gestattet die beiden folgenden Einstellungen:

Dieser Befehl sperrt die Annahme von besonderen Münzen bei kleinem Restbetrag, d.h. wenn der Display die Meldung "Nur genauen Betrag einfügen" anzeigt.

1. Die Annahme besonderer Münzen bei Restausgabe mit kleinem Wert verweigern, d.h. wenn das Display die Meldung "Nur genauen Betrag eingeben" anzeigt.
2. Für alle Geldscheine die Funktion „Escrow“ freigeben.

Befehl 35 Nullsetzung der Zähler für Münzen in den Restgeldröhren:

Dieser Befehl wird verwendet, wenn der Münzspeicher ersetzt oder die Restgeldröhren bei ausgeschaltetem Gerät geleert werden. Ziel ist es, die Zähler auf den wirklichen Bestand in den Restgeldröhren abzustimmen.

1. Programmierungsverfahren, Display stellt dar Befehl 00
2. 35 wählen und ENTER drücken, das Display zeigt an Code 0000
3. 6203 eingeben und ENTER drücken.

Befehl 36 Zustand exakter Betrag (Zu wenig Wechselgeld):

Mit diesem Parameter wird für jede Geldrückgaberohre die Anzahl der Münzen vorgegeben, unterhalb derer die Bedingung "Zu wenig Wechselgeld" als wahr erkannt wird. Der eingestellte Wert muß den Mindeststand an Münzen in der Röhre (Befehl 32) übersteigen (Beispiel: Wenn Befehl 32 auf 5 eingestellt ist, müssen die Werte des Parameters 36 mindestens 6 betragen). Die Röhren, die nicht in diese Bedingungen einbezogen werden sollen, müssen auf "0" gesetzt werden.

Fällt der Inhalt einer beliebigen, in die Bedingungen einbezogenen Röhre unter den eingestellten Wert, weist das Gerät durch eine Meldung auf das Fehlen von Wechselgeld hin.

Befehl 37 Sperrung Banknotenableser bei genauem Betrag:

Wenn dieser Befehl bei genauem Betrag auf 1 eingestellt ist, wird der Banknotenableser gehemmt.

Zur Beachtung: Falls nur der Banknotenableser installiert wird, muß dieser Befehl auf 0 eingestellt werden.

Befehl 38 Entleerung Rückgaberohre:

Dieser Befehl wird verwendet, um den Bestand der Münzen aufzunehmen, die sich in den Rohren des Münzgerätes befinden. Um die Austeilung von Rohr 1 (Münzen niedrigeren Wertes) zu erhalten, wie folgt vorgehen:

1. Programmierungsverfahren, Display stellt dar Befehl 00
2. 38 eintasten und ENTER drücken, Display stellt dar Rohr Nr. 00
3. 1 eintasten und ENTER drücken.

Das Münzgerät fängt an, die Münzen des gewählten Rohres auszuteilen, bis man Taste ESC losläßt.

Befehl 39 Anfüllung Rückgaberohre:

Wie folgt vorgehen:

1. Programmierungsverfahren, Display stellt dar Befehl 00
2. 39 eintasten und ENTER drücken
3. Die Münzen in das Münzgerät einfügen
4. Taste ENTER nochmals drücken


Zur Beachtung: Falls das Verfahren nicht genau durchgeführt wird, könnten falsche Werte in den Befehlen 09 und 10 vorgefunden werden.

9.5 VERWENDUNG EXECUTIVE STD/EXECUTIVE-PRICE HOLDING ZAHLUNGSSYSTEMEÜ

Befehl 39 Anfüllung Rückgaberohre:

Wie folgt vorgehen:

1. Programmierungsverfahren, Display stellt dar Befehl 00
2. 39 eintasten und ENTER drücken
3. Die Münzen in das Münzgerät einfügen
4. Taste ENTER nochmals drücken

	Die Dezimalpunktanzeige der auf dem Display sichtbaren Preise wird im Zahlungssystem eingestellt.
---	---

Executive Standard ⇒ Befehl 69 auf 0 programmiert

Das Zahlungssystem Executive standard verwaltet die Preise direkt im Automaten und nicht im Zahlungssystem.

Will man beispielsweise die Auswahl 21 auf 0,75 € programmieren, befolge man die im folgenden dargestellte Anleitung:

- 1.1) Programmierungsverfahren, Display stellt dar Befehl 00
- 1.2) 03 eingeben und ENTER drücken, Display zeigt an Auswahl Nr. 00
- 1.3) 21 eintasten und ENTER drücken, Display zeigt an Preis 00
- 1.4) 75 eingeben und ENTER drücken, Display zeigt an Auswahl Nr. 00

Möchte man eine weitere Auswahl programmieren, die Schrittfolge ab Punkt 1.2 wiederholen. Andernfalls zweimal ESC drücken.

Executive price-holding ⇒ Befehl 69 auf 1 programmiert.

Im Zahlungssystem Executive price-holding werden die Preise vom Zahlungssystem selbst verwaltet.

In diesem Fall müssen wir die im Zahlungssystem programmierte Tabelle mit den Preisen (Preisliste) auf den Befehl 03 des Automaten kopieren (von Preis 1 bis Preis n), während im Befehl 05 die Preise mit der Auswahl verknüpft werden, indem man ihre Nummer aufruft.

Beispiel: Wenn man die Auswahl 11 auf 0,35 € programmieren will, so vorgehen, wie im folgenden beschrieben:

Nehmen wir an, daß der zweite im Zahlungssystem programmierte Preis 0,35 € sei.

- 1.1) Programmierungsverfahren, Display stellt dar Befehl 00
- 1.2) 03 eingeben und ENTER drücken, Display zeigt an Preis Nummer 00
- 1.3) 02 eintasten (zweiter Preis) und ENTER drücken, Display zeigt an Preis 00
- 1.4) 35 eingeben und ENTER drücken, Display zeigt an Preis Nummer 00
- 1.5) ESC drücken. Display zeigt an Befehl 00
- 1.6) 05 eingeben und ENTER drücken, Display zeigt an Auswahl Nr. 00
- 1.7) 11 eingeben und ENTER drücken, Display zeigt an Preis Nummer 00
- 1.8) 02 eingeben (zweiter Preis) und ENTER drücken, Display zeigt an Auswahl Nr.00

Soll eine weitere Auswahl programmiert werden, die Schrittfolge ab Punkt 1.6 wiederholen. Andernfalls zweimal ESC drücken.

Executive price-display ⇒ Befehlsparameter 69 auf 1 gesetzt

Bei dem Zahlungssystem "Executive price-display" werden die Preise vom Zahlungssystem verwaltet.

Unter dem Parameter 05 werden die Preise unter Angabe einer Nummer der Ware zugewiesen.

Beispiel:

- 1.1) 05 eingeben und ENTER drücken, auf dem Display erscheint Ware Nr. 00
- 1.2) Die Waren-Nr. eingeben und ENTER drücken, auf dem Display erscheint Preisnummer 00
- 1.3) Z. B. 02 (zweiter Preis) eingeben und ENTER drücken, auf dem Display erscheint Ware Nr. 00

Wenn eine weitere Ware programmiert werden soll, ist die Schrittfolge ab dem Punkt 1.1 zu wiederholen, andernfalls bitte zweimal ESC drücken.

10 REGELUNGEN

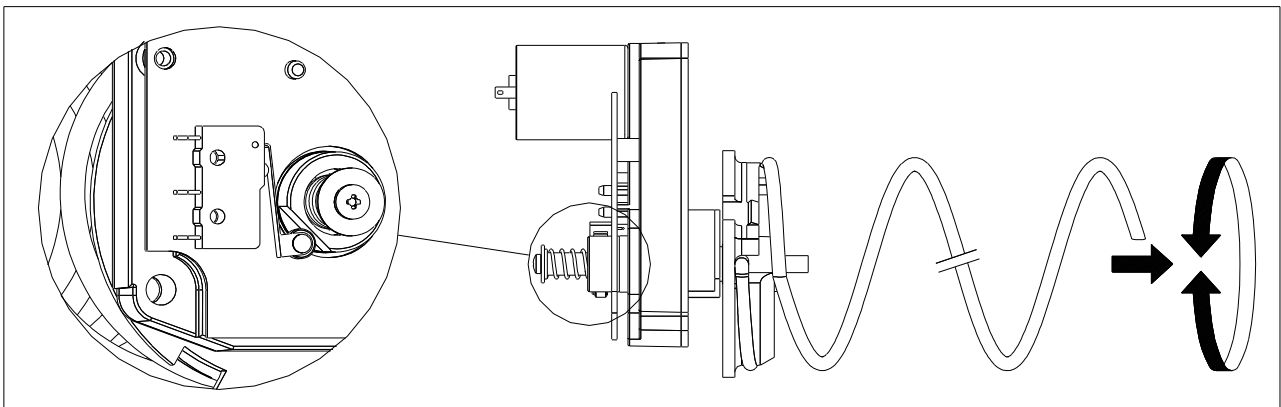
10.1 SPIRALEN



Der größte Teil der Ware wird problemlos verkauft, wenn das Spiralende auf 6 Uhr gestellt ist. Um das Ende zu modifizieren, muß man die Spirale nach vorne ziehen, bis die Grundlage der Spiralenstütze aus dem Motor herauskommt. Die Spirale in die gewünschte Position drehen und freilassen, sodaß sie durch Federwirkung wieder in den Motor hineingeht. Wenn nötig schieben.

Jede Spirale kann jeweils um 45° verstellt werden.

ACHTUNG: Bei diesem Vorgang ist sicherzustellen, daß sich der Mikroschalternocken des Kleinmotors immer in Ruhestellung befindet. Dazu reicht es aus, einige Warenabgaben im Modus "TEST VEND" auszuführen (siehe Abschnitt TASTATUR FUNKTIONEN/PROGRAMMIERUNG).



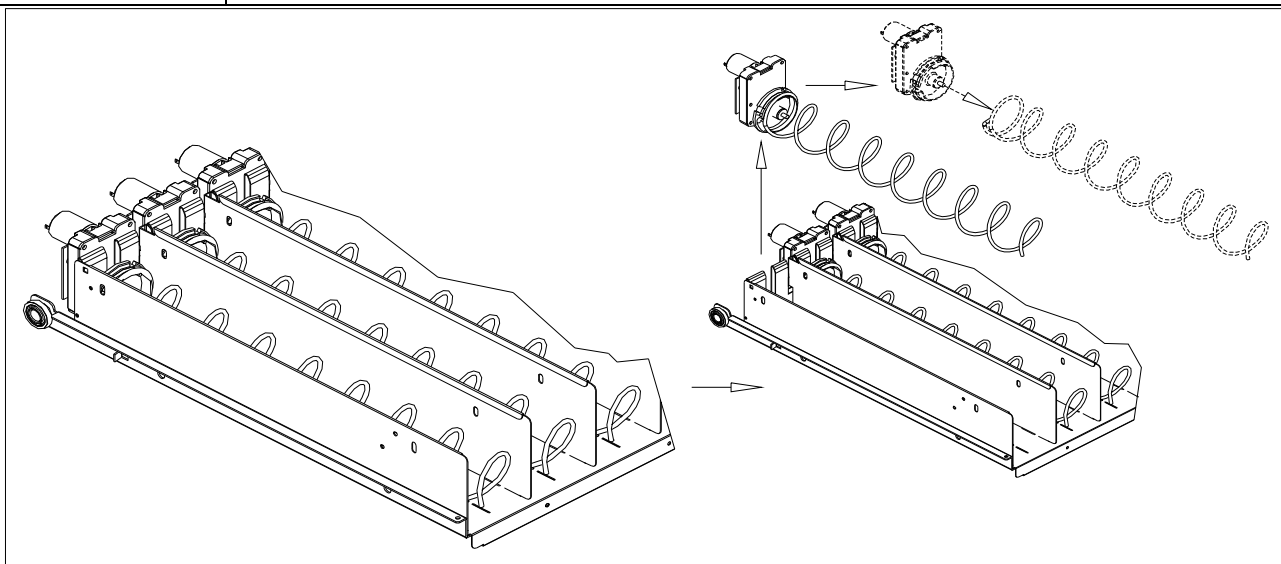
10.2 ERSATZ SPIRALEN UND AUSSTOSSMOTOR



Der Automat ist mit Schubladen versehen, mit verschiedenen Spiralensteigungen und Durchmessern.

Um die Quantität oder die Ordnung zu ändern, wie folgt vorgehen:

- Das Gerät mit dem Hauptschalter ausschalten und den Stecker ziehen.
- Die Haupttür öffnen.
- Die Schublade, in der man die Spirale ersetzen muß, herausziehen.
- Ausschalten und die Gruppe Motor-Spirale herausziehen.
- Die Spirale von der Stütze aus Kunststoff wegnehmen (sich zwischen Spirale und Halter stützen), und die andere Spirale oder die Ausstoßmotorgruppe einstellen.
- Die neue Spiralegruppe in umgekehrter Reihenfolge montieren. Wenn die Montage beendet ist, sich vergewissern, dass das Spiralenende auf 6 Uhr gestellt ist; andernfalls s. Abschnitt "SPIRALEN".



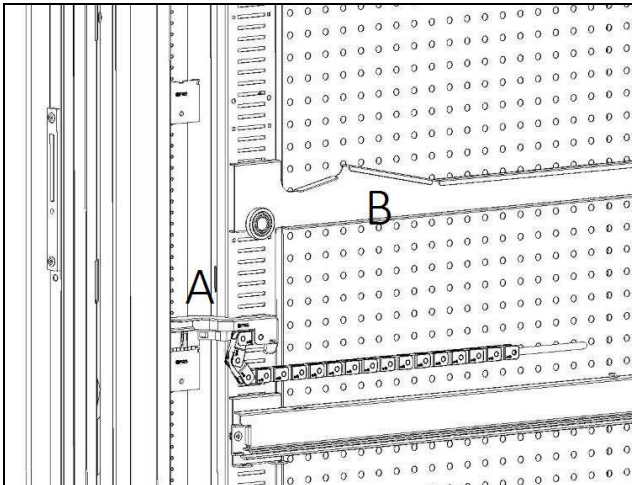
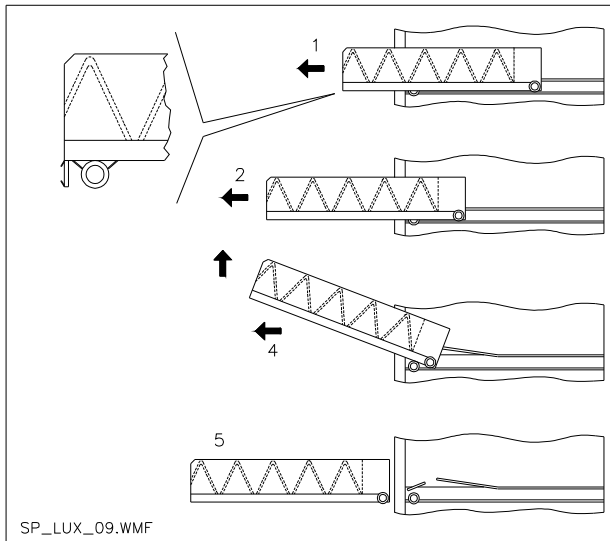


Abb. 4



SP_LUX_09.WMF

Abb. 5

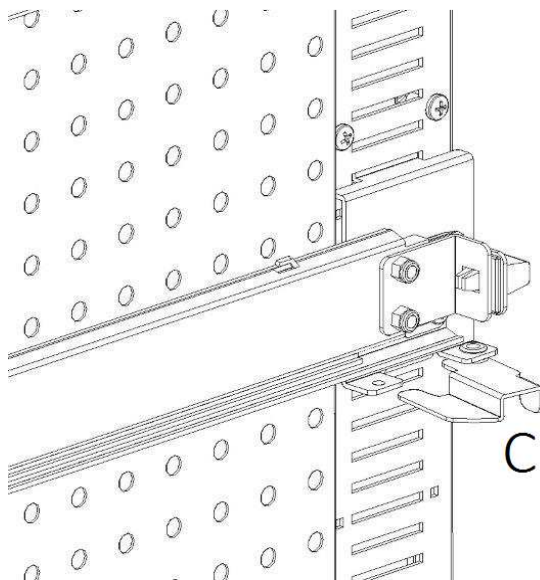


Abb. 6

10.3 VORGEHENSWEISE FÜR DIE ENTFERNUNG DER SCHUBLADEN

Die Schubladen werden folgendermaßen ausgetauscht:

- Das Gerät mit dem Hauptschalter abstellen und den Stromstecker abziehen.
- Die Haupttür öffnen.
- Den Stromstecker -A- abziehen.
- Die Schublade gegen die Sperrwirkung der Positionierfeder herausziehen (sanft vorgehen).
- Die Schublade bis zur Feststellvorrichtung ziehen, anschließend anheben und nach unten drehen, bis die Führung aushakt. Nun kann sie aus dem Gerät entfernt werden.

Eine neue Schublade wird folgendermaßen montiert:

- Die Schublade einführen.
- Schieben, bis die Schublade in der Sperrstellung einrastet.
- Den Stromstecker -A- einfügen.
- Die Haupttür schließen.
- Durch Betätigung des Hauptschalters das Gerät mit Spannung versorgen.

10.4 ÄNDERUNG DER SCHUBLADENZAHL

Verkaufsautomaten mit 6 Schubladen können folgendermaßen in solche mit 7 Schubladen umgerüstet werden:

- Das Gerät mit dem Hauptschalter abstellen und den Stromstecker abziehen.
- Alle Schubladen aus dem Verkaufsautomaten entfernen.
- Die Führungen B versetzen (die letzte von unten ist bereits in der richtigen Position und muss nicht versetzt werden). Zum Versetzen der Führungen den Haken C betätigen, dann die Führung drehen, um sie abzunehmen und auf der gewünschten Höhe wieder zu positionieren.
- Die Steckverbindungen A versetzen, die sich am Gehäuse befinden.
- Ein Paar Führungen hinzufügen.
- 7 Schubladen montieren und prüfen, ob die Stecker richtig sitzen.
- Die neuen Preise einstellen.

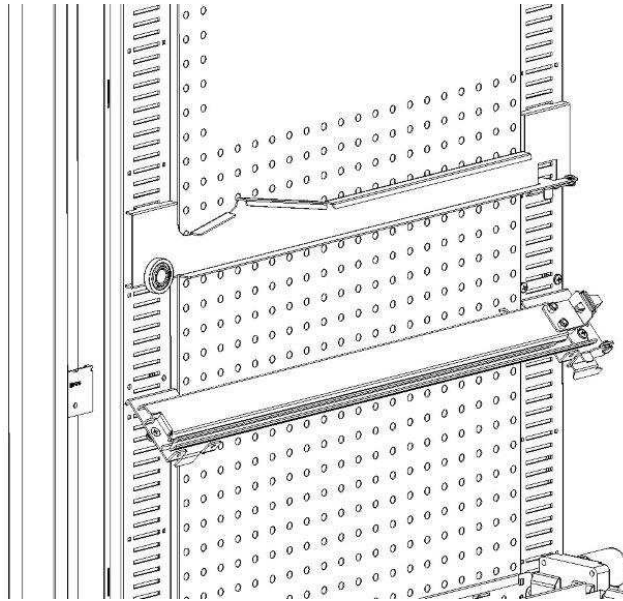


Abb. 7

10.5 VORGEHENSWEISE BEIM WECHSEL DER SEITENWAND ZUR TEMPERATURSTEUERUNG ⚠

Um die Temperaturschichtung innerhalb des Gerätes zu verändern, wird die zugehörige Seitenwand benutzt, wie in **Kapitel 3** erläutert. Die Seitenwände im Verkaufsautomaten werden wie folgt gewechselt:

- Die Kästen entnehmen, wie zuvor erläutert.
- Alle Führungen B entfernen.
- Den oberen Teil der gelochten Seitenwand ins Innere der Maschine ziehen, wie in **Abb. 8** gezeigt.
- Nun kann die vorhandene Seitenwand entnommen und die gewünschte Seitenwand nach der umgekehrten Vorgehensweise eingebaut werden.

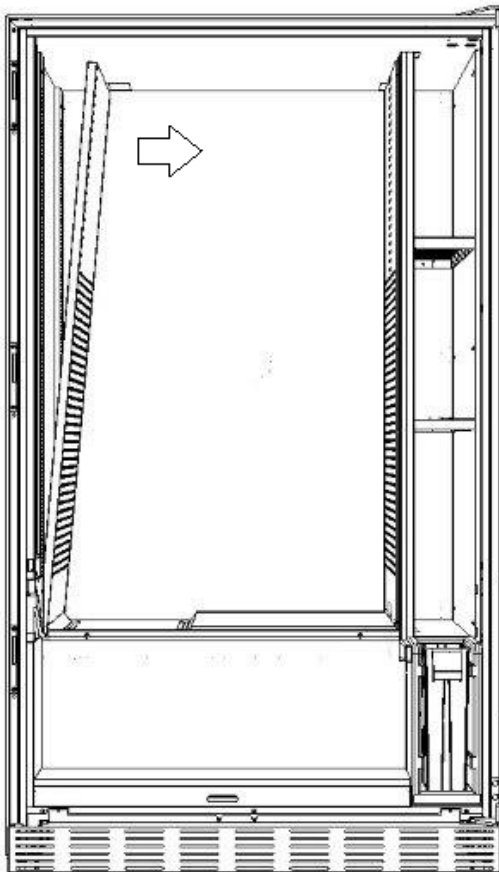
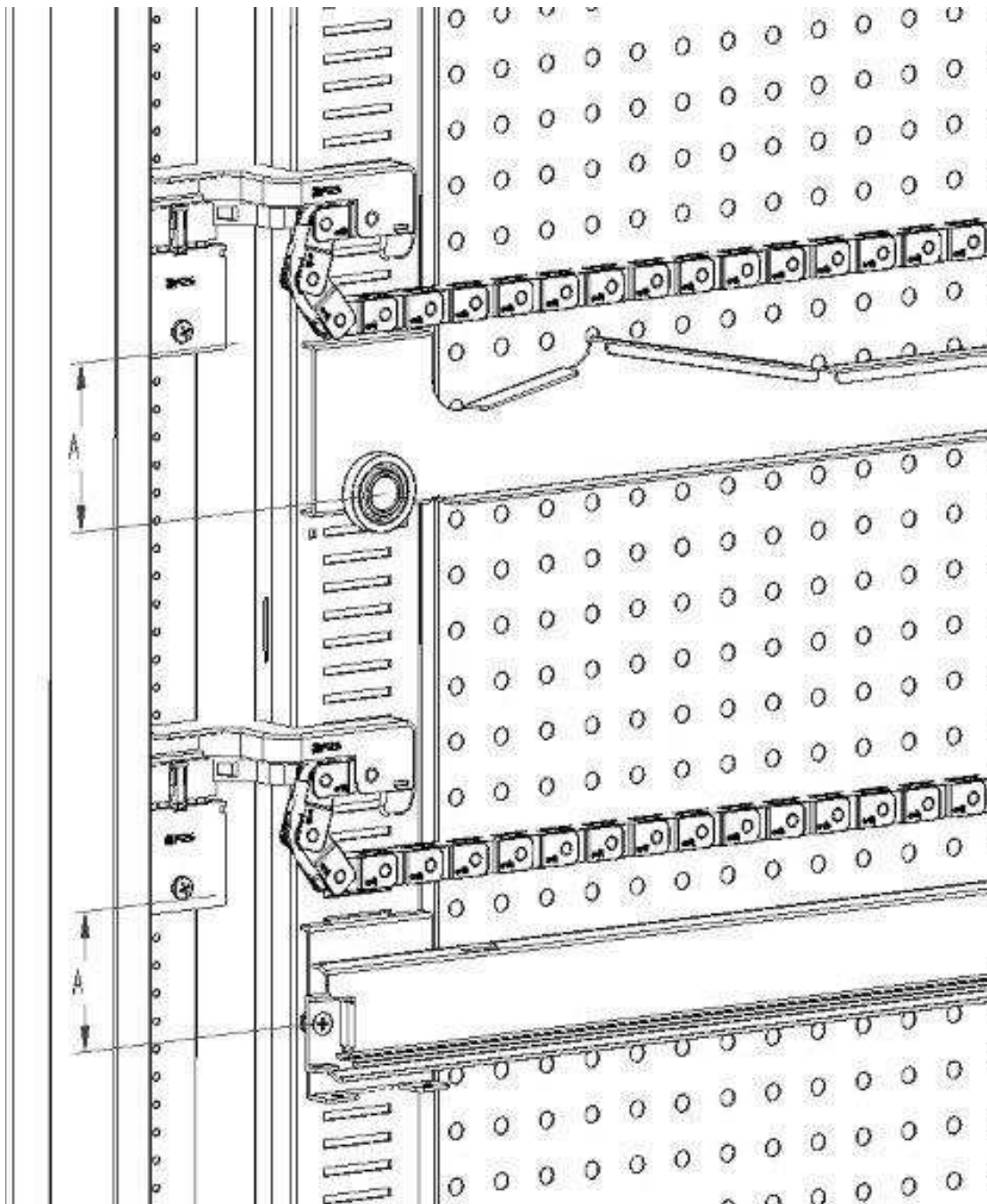


Abb.8

10.6 LAGE FÜR DIE BEFESTIGUNG DES SCHUBLADENKABELS ⚠



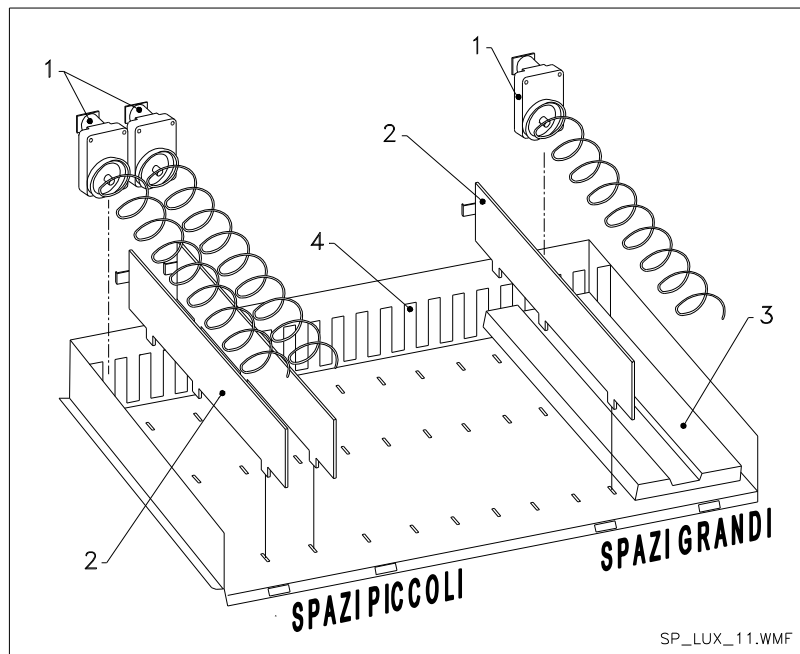
Falls sich die Anzahl der Schubladen im Innern des Verkaufsautomaten oder deren Anordnung zueinander ändert, wird empfohlen, die in der folgenden Tabelle angegebenen Maße zu beachten, damit sich das Kabel beim Herausziehen der Schublade nicht verfängt:

SCHUBLADEN- / FÜHRUNGSTYP	MASS "A" (mm)
Schublade mit Standardführung 1	60
Schublade mit verstärkter Führung 2	70
Alle Kästen mit Entnahmeleiste für Flaschen	110

10.7 ANLEITUNG FÜR DIE UMGESTALTUNG DER SCHUBLADEN

Von einem großen Verkaufsfach zu zwei kleinen Fächern.

- Das Gerät mit dem Hauptschalter ausschalten und den Stecker ziehen.
- Die Tür öffnen.
- Die Neonabdeckung abnehmen.
- Die zu ändernde Schublade herausziehen.
- Das Aggregat Motor + Spirale Nr. 1 entnehmen.
- Tray Nr. 3 entfernen.
- Die Spirale mit großem Durchmesser durch eine Spirale kleinen Durchmessers ersetzen.
- Die Baugruppe Motor + Spirale kleinen Durchmessers in die linke Öffnung des Tragelementes Nr. 4 einfügen.
- Die neue Baugruppe Motor + Spirale kleinen Durchmessers in die rechte Öffnung einfügen und mit dem vorhandenen Kabel der Schublade verbinden.
- Das neue Trennelement inmitten der beiden Spiralen Nr. 2 hinzufügen.
- Die neuen Preis- und Auswahlschilder installieren.
- Die veränderte Schublade einführen und darauf achten, dass der Stecker richtig sitzt.
- Die gewünschten Verkaufspreise für die neuen zur Auswahl stehenden Produkte programmieren.
- Die geänderten Auswahlprodukte auf Funktionsfähigkeit testen.



Von zwei kleinen Fächern zu einem großen Verkaufsfach.

- Das Gerät mit dem Hauptschalter ausschalten und den Stecker ziehen.
- Die Tür öffnen.
- Die Neonabdeckung abnehmen.
- Die zu ändernde Schublade herausziehen.
- Die Baugruppen Motor + Spirale Nr. 1 entnehmen.
- Die eine Gruppe Motor + Spirale beiseite legen, bei der anderen die Spirale kleinen Durchmessers durch eine solche mit großem Durchmesser ersetzen.
- Das Trennelement Nr. 2 entfernen.
- Das Tray Nr. 3 einfügen.
- Die Baugruppe Motor + Spirale mit großem Durchmesser in die mittlere Öffnung des Tragelementes Nr. 4 einfügen.
- Die neuen Preis- und Auswahlschilder installieren.
- Die veränderte Schublade einführen und darauf achten, dass der Stecker richtig sitzt.
- Die gewünschten Verkaufspreise für die neuen zur Auswahl stehenden Produkte programmieren.
- **ANMERKUNG: Bei den Waren der großen Verkaufsfächer sind die Kennnummern unpaar. Bsp: Die Automatenwaren A 1 und A 2, zu einem Einzelfach umgestaltet, werden zur Auswahl A 1.**
- Die geänderten Auswahlprodukte auf Funktionsfähigkeit testen

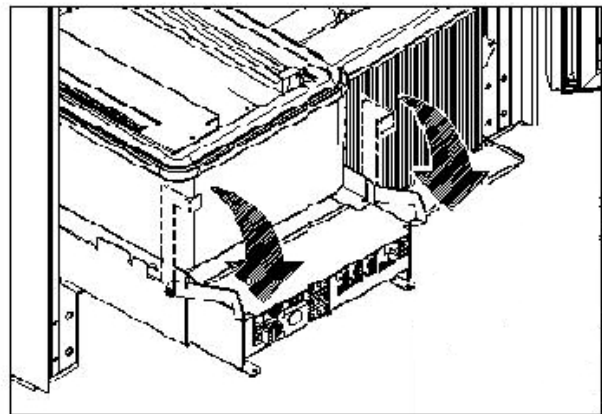
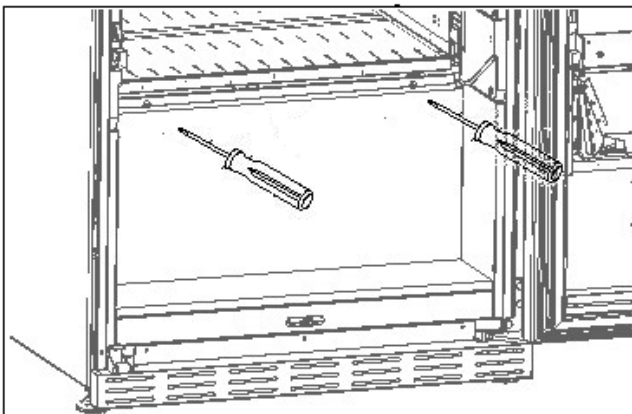
10.8 ZUGRIFF AUF DEN SCHALKASTEN UND DAS KÜHLAGGREGAT

Um auf den Schaltkasten und die Kühleinheit zugreifen zu können, gehen Sie folgendermaßen vor:

- Das Gerät mit dem Hauptschalter ausschalten und den Stecker ziehen.
- Die Tür öffnen.
- Mit einem Kreuzschlitzschraubendreher die beiden Schrauben ausdrehen, die die Produktaufangklappe am Gehäuse befestigen. Die Tasche entnehmen.
- Um das Kühlaggregat zu entnehmen, müssen die beiden Hebel zu beiden Seiten des Verdampferkastens abgesenkt werden. Stellen Sie sicher, daß die Dichtung am oberen Rand des Verdampferkastens vollständig vom Sitz gelöst ist. Am entsprechenden Griff ziehen. ACHTEN Sie auf die Kabel.
- Nach der Verordnung 517/2014/EG werden Kühleinheiten alternative Kältemittelgase verwenden. Am Kühlaggregat befinden sich die entsprechenden Etiketten, um die Art des verwendeten Gases und seine Ladung zu erkennen. Das Kühlaggregat ist vollständig hermetisch: Alle Austauschvorgänge in der Maschine erfordern daher einen einfachen mechanischen Vorgang. Wenn der Bediener andererseits selbst eine Reparatur durchführen möchte, muss er zunächst überprüfen, ob er über die richtigen Kenntnisse und Ausrüstungen verfügt, die für die angegebene Gasart erforderlich sind.



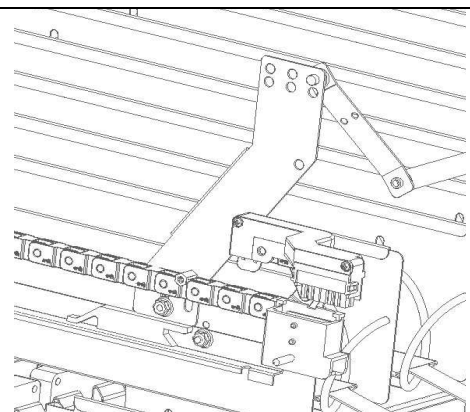
Schaltkasten: Bei der Entfernung der Produktaufnahmetasche bleibt der gesamte Automat spannungsführend. Um ihn ganz vom Stromnetz zu trennen, muss der Stecker vom externen Leistungsschalter abgezogen werden. Um ihn ganz vom Stromnetz zu trennen, muss der Stecker vom externen Leistungsschalter abgezogen werden. Deshalb dürfen alle Handlungen, die am Automaten ohne den Schutz der Produktaufnahmetasche vorgenommen werden müssen, nur von Fachleuten ausgeführt werden, die über die speziellen Gefahren unter diesen Bedingungen unterrichtet sind.



10.9 KIT FLASCHENAUSTEILUNG

Die Stange kann je nach geladenem Flaschentyp in 6 verschiedenen Löchern angebracht werden

ACHTUNG: Die Stange zum Entnehmen der Flaschen darf nicht benutzt werden, um den Schacht herauszuziehen.



10.10 ANLEITUNG FÜR DEN AUSTAUSCH DER INNENBELEUCHTUNG



- Das Gerät mit dem Hauptschalter ausschalten und den Stecker ziehen.
- Die Haupttür öffnen.
- Die Abdeckung der Lichtquelle entfernen.
- Die Lichtquelle wechseln.
- Die Montage geht in umgekehrter Reihenfolge vor sich.

11 REINIGUNGSANWEISUNGEN



Diese Tätigkeiten müssen von Personal ausgeführt werden, das praktische Erfahrungen mit dem Gerät besitzt, weil es sich hier um Sicherheit und Hygiene handelt.

Um einen einwandfreien Betrieb des Automaten über lange Zeit hinweg garantieren zu können, muss dieser entsprechend gewartet werden. Dieses Kapitel befasst sich mit den Wartungsarbeiten und mit den entsprechenden Zeitabständen, in denen diese vorzunehmen sind. Die Angaben sind allerdings nur Richtwerte, da hierbei verschiedene Faktoren wie die Produktsorte, die Umweltbedingungen und besonders die Feuchtigkeit eine entscheidende Rolle spielen. Die in diesem Abschnitt angegebenen Operationen erschöpfen nicht die Maschinenwartung. Alle nachstehend erläuterten Arbeiten dürfen erst bei abgeschaltetem Automaten vorgenommen werden. Der Automat darf nicht unter direktem Wasserstrahl bzw. mit Hochdruck gereinigt werden. Edelstein- und lackierte Fläche mittels ungiftiger Reinigungsmittel sorgfältig reinigen, um Anrostung oder chemische Reaktion zu vermeiden.

11.1 WICHTIGE REINIGUNGSPUNKTE

Bei der Verwendung der Reinigungsprodukte sind die Angaben, die auf dem Etikett zu den Dosiermengen gemacht werden, genau einzuhalten. Keine zu aggressiven Reinigungsmittel benutzen, weil sie einige Teile beschädigen könnten. Der Hersteller lehnt jede Haftung für Schäden ab, die durch eine falsche Verwendung dieser Reinigungsmittel oder durch den Einsatz von Giftstoffen entstehen.

Mit Desinfektionsmitteln (Chlorreiniger oder ähnlichem)	Gehäuseinneres (Schubladenbereich), Schubladen, Schauglas. Rückstände von Reinigern, Desinfektionsmitteln und Lebensmitteln sind mit einem feuchten Schwämmchen zu entfernen, bevor die Maschine wieder in Betrieb genommen wird.	Bei jedem Auffüllen, spätestens aber nach 5 Tagen
Mit Staubsauger oder Druckluftgebläse	Den Schmutz vom Verflüssiger entfernen. Prüfen, ob zwischen Vorder- und Rückseite des Verflüssigers Luft strömen kann. Das Gehäuseinnere nach diesem Vorgang stets reinigen.	monatlich
Wenn diese Tätigkeit nicht richtig durchgeführt wird, kann das Kühlsystem schweren Schaden nehmen.		

11.2 STILLSTAND
























Wenn eine längere Stillstandszeit des Gerätes vorauszusehen ist, müssen geeignete Vorkehrungsmaßnahmen getroffen werden, um Gefahrensituationen bei der Inbetriebnahme zu vermeiden. Unter einer langen Stillstandsdauer versteht man einen Gesamtzeitraum der Außerbetriebsetzung von mehr als einem Monat.

Bei längeren Ruhezeiten ist es notwendig:

- Das Gerät sorgfältig zu reinigen und zu trocknen;
- Es zu sorgfältig zu kontrollieren. Beschädigte sowie abgenutzte Teile sind zu ersetzen;
- Überprüfen Sie den festen Sitz der Schrauben und Schraubenbolzen;
- Nach Unterbringung in geschützter Umgebung das Gerät bedecken.

Die Wiederinbetriebnahme des Verkaufsautomaten muß gemäß den Erläuterungen im Abschnitt "Installation" dieses Handbuches erfolgen. Besondere Vorsicht ist beim Vertrieb von Lebensmittelprodukten geboten (siehe Abschnitt "Verwendung des Verkaufsautomaten zur Abgabe von Lebensmittelprodukten").

ÍNDICE

1	GENERALIDADES	2
1.1	IDENTIFICACIÓN DE LA MÁQUINA.....	2
1.2	DISPOSICIÓN DE LOS ADHESIVOS.....	3
1.3	GUÍA PARA LA CONSULTA	4
1.4	SEGURIDAD.....	5
2	USO DISTRIBUIDOR AUTOMÁTICO PARA LA VENTA PRODUCTOS ALIMENTICIOS	9
2.1	ESTIMACIÓN DEL IMPACTO DE LOS AJUSTES DE TEMPERATURA EN LOS RESIDUOS ALIMENTARIOS	9
3	CARACTERÍSTICAS TÉCNICAS.....	11
4	COMPONENTES PUERTA	15
5	COMPONENTES INTERNOS	16
6	TRANSPORTE, MOVIMIENTO, ALMACENAMIENTO Y DESEMBALAJE	17
6.1	TRASPORTE Y ALMACENAMIENTO  	17
6.2	DESEMBALAJE  	17
6.3	INSTALACIÓN  	18
6.4	ADVERTENCIAS PARA LA INSTALACIÓN.....	19
6.5	CONFIGURACIÓN DEL SISTEMA DE PAGO.....	19
7	ADVERTENCIAS PARA LA DEMOLICIÓN DE LA MÁQUINA.....	19
8	MANEJO DEL DISTRIBUIDOR.....	20
8.1	CARGA PRODUCTOS EN LA ZONA CAJONES 	20
8.1.1	ADVERTENCIAS SOBRE LA CARGA DE PRODUCTOS 	20
8.2	DISTANCIADORES DE PRODUCTOS EN CAJONES.....	21
8.3	EXPULSOR DE PRODUCTOS	21
8.4	OPERACIONES DE VENTA DE UN PRODUCTO.....	21
9	TECLADO FUNCIONES DE PROGRAMACIÓN  	22
9.1	VERIFICAR SELECCIONES	22
9.2	LISTA DE LOS MANDOS DE PROGRAMACIÓN.....	23
9.2.1	ACCESO A LOS MENUS SECUNDARIOS.....	24
9.2.2	CONFIGURACIÓN DE LOS PARÁMETROS TEMPERATURA	28
9.2.3	PROGRAMACIÓN PARAMETROS MAQUINA.....	29
9.3	UTILIZACIÓN CAJA PARA FICHAS BDV.....	41
9.4	UTILIZACIÓN SISTEMAS DE PAGO MDB.....	43
9.5	UTILIZACIÓN SISTEMAS DE PAGO EXECUTIVE std/EXECUTIVE PRICE HOLDING.....	45
10	REGULACIONES	46
10.1	ESPIRALES	46
10.2	SUSTITUCIÓN ESPIRAL Y GRUPO MOTOR EXPULSOR	46
10.3	PROCEDIMIENTO PARA EL DESMONTAJE DE LOS CAJONES  	47
10.4	VARIACIÓN DE CAJONES  	47
10.5	PROCEDIMIENTO DE CAMBIO DE BARANDILLA PARA LA GESTIÓN DE LAS TEMPERATURAS  	48
10.6	INSTRUCCIÓN PARA FIJAR EL CABLEADO DEL CAJÓN  	49
10.7	INSTRUCCIONES PARA LA CONVERSIÓN DE LOS CAJONES  	50
10.8	ACCESO AL CUADRO ELÉCTRICO Y AL GRUPO REFRIGERANTE  	51
10.9	KIT DESCARGA BOTELLAS 	51
10.10	INSTRUCCIONES PARA SUSTITUIR EL APARATO DE ILUMINACIÓN INTERIOR.....	51
11	INSTRUCCIONES PARA LA LIMPIEZA.....	52
11.1	PUNTOS DE LIMPIEZA IMPORTANTES	52
11.2	INACTIVIDAD	52

1 GENERALIDADES



Este manual ha sido redactado para el modelo más completo: por consiguiente, es posible encontrar descripciones o explicaciones que no correspondan a la propia máquina.

La presente documentación constituye parte integrante de la máquina y, por lo tanto, debe adjuntarse con cualquier transferencia de propiedad o cambio de ubicación.

Antes de proceder a la instalación y al uso del distribuidor, es necesario leer estrictamente y comprender el contenido de este manual, ya que contiene importantes informaciones respecto a la seguridad en la instalación, las normas de empleo y las operaciones de mantenimiento.

El presente manual sirve para proporcionar todas las informaciones necesarias para poder operar en régimen de seguridad al personal responsable del funcionamiento de la máquina y el responsable del funcionamiento normal de la misma.

También aconsejamos contactar con la Casa Constructora para cualquier necesidad de información de recambios o accesorios; se prohíbe realizar o efectuar cualquier tipo de operación de la que no se ha entendido perfectamente la forma exacta de proceder.

Siempre tiene que haber un manual o una copia del mismo cerca de la máquina para que el operario pueda consultarlo; se aconseja un lugar lejos del calor, la humedad y agentes corrosivos (aceite, lubricantes, productos corrosivos).

El manual se debe consultar procurando no dañarlo; no se deben quitar páginas, substituir o borrar información o modificar su contenido.

Eventuales actualizaciones y las páginas ilustrativas de los accesorios, son una integración al presente manual y por tanto deben añadirse al mismo.

Para acceder al área de repuestos en línea, ingresar a la siguiente dirección:

<https://ricambi.fas.it>

En el Manual del usuario, para los usos previstos por el Reglamento, encontrará la Etiqueta Energética. Se recuerda que la etiqueta energética debe ser colocada en el Distribuidor solo en el punto de venta: es decir, el lugar donde los equipos de refrigeración con función de venta directa son expuestos u ofrecidos para la venta, el alquiler, o bien, la locación-venta.

Además, se recuerda que los datos que se encuentran en la etiqueta energética ya no son válidos del momento en que la máquina es modificada por terceros (a título de ejemplo y no exhaustivo: montaje de periféricos).

En caso de que sea necesario corroborar los datos, encuadrar el código Qr arriba a la derecha en la etiqueta: será redireccionado a la Base de Datos Europea de los Productos Eprel, donde encontrará los originales de los datos declarados.

1.1 IDENTIFICACIÓN DE LA MÁQUINA

Las páginas siguientes de este fascículo ilustran cómo debe hacer el usuario para identificar el producto DISTRIBUIDOR AUTOMÁTICO; Dicha información es muy importante en el tiempo con el objetivo de garantizar al fabricante la posibilidad de dar al usuario velocidad y seguridad, información técnica de cualquier tipo o bien facilitar la gestión de los recambios.

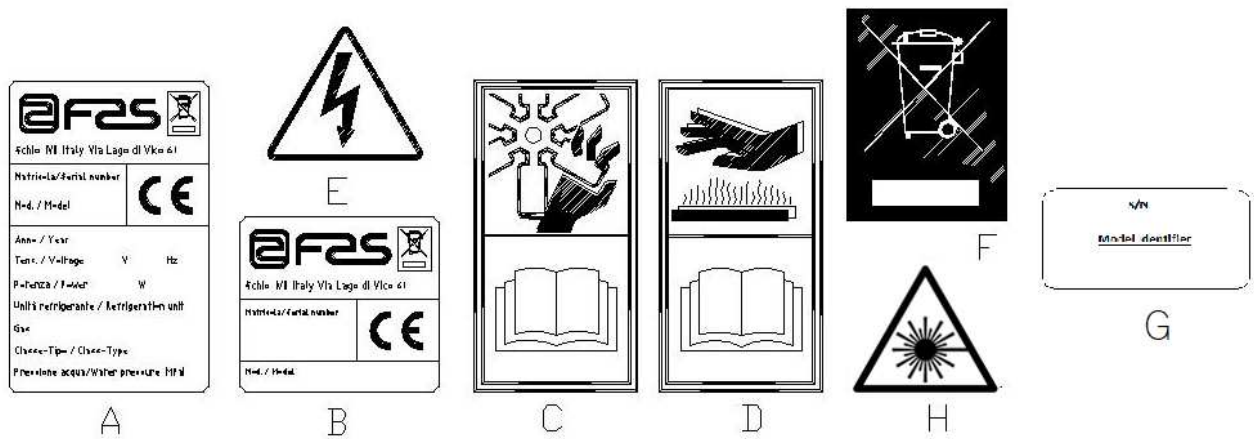


No estropear o eliminar los soportes necesarios para la identificación del producto ni los adhesivos de seguridad.

El soporte de identificación es la placa plastificada en la que se presentan los datos que se deben mencionar al fabricante en caso de necesidad.

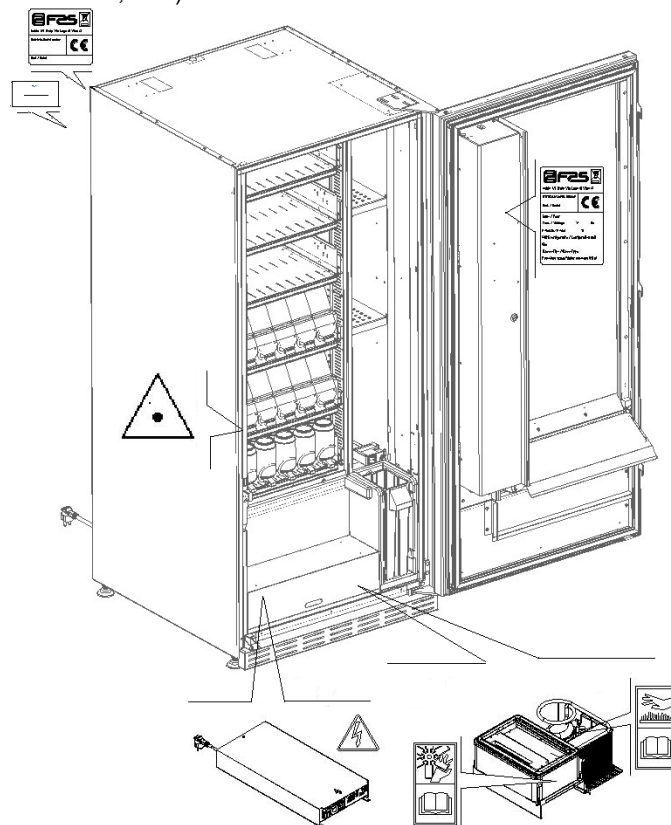
Dicha placa es la única que reconoce el fabricante como instrumento de identificación del producto.

1.2 DISPOSICIÓN DE LOS ADHESIVOS









O	Placa de identificación completa
B	Placa de identificación
C	Adhesivo de seguridad que indica el peligro de cuerpos giratorios
D	Adhesivo de seguridad con el que se indica la presencia de superficies con temperatura elevada
E	Adhesivo de seguridad que indica la presencia de tensión eléctrica
F	Eliminación conforme a la normativa WEEE, de acuerdo con la transposición nacional de la Directiva.
G	Placa de identificación de la familia energética
H	(ILUMINACIÓN DEL LED) RADIACIÓN LÁSER – NO MIRAR AL RAYO LÁSER - PRODUCTO LÁSER CLASE 2

La placa de identificación completa "A", que presenta todos los datos de la máquina, está situada en el interior de la caja (ver el esquema a continuación). Si en el lado de la caja hay serigrafías, la placa "B" se sitúa en la parte superior derecha, detrás de la caja. Asimismo, el número de fabricación está indicado en los componentes más importantes de la máquina (tarjetas del compresor, ventiladores, etc.).



1.3 GUÍA PARA LA CONSULTA



SÍMBOLO	SIGNIFICADO	COMENTARIO
	PELIGRO	Indica un peligro con riesgo, incluso mortal.
	ADVERTENCIA	Indica una advertencia o una nota sobre las funciones claves o sobre información útil. Prestar la máxima atención a los bloques de texto indicados por este símbolo. Se requiere al personal autorizado para el mantenimiento de medir los valores de medición, de controlar las señalizaciones, comprobar la correcta posición de los elementos de la máquina, etc. antes de proceder a un determinado comando u operación.
	ACTIVIDAD/MANTENIMIENTO ORDINARIO	<i>Se entiende como mantenimiento ordinario:</i> la recarga, la programación de parámetros de control, el cobro y la limpieza de las zonas a contacto con los alimentos.
	ACTIVIDAD/MANTENIMIENTO EXTRAORDINARIO	<i>Se entiende como mantenimiento extraordinario:</i> las actividades de mantenimiento más o menos complejas (mecánicas, eléctricas, etc.) en situaciones particulares o acordadas con el usuario y no consideradas en la actividad de mantenimiento ordinaria.
 	RECICLAJE	Obligatorio eliminar los materiales respetando el medio ambiente.

Poner especial atención a los textos marcados en negrita, con una letra más grande o subrayada, ya que se refieren a operaciones o informaciones de mayor importancia.

Los esquemas eléctricos que se adjuntan son de uso exclusivo de personal técnico especializado autorizado por el fabricante para llevar a cabo tareas de mantenimiento y control extraordinarios.

A partir de ahora en el manual, al referirse a la máquina con el término “adelante” o “anterior” se entiende el lado de la puerta, mientras que con el término “detrás” o “posterior” se entiende el lado opuesto; los términos “derecha” e “izquierda” se refieren al operador situado en el lado anterior de la máquina y orientado hacia la misma.

Para toda operación que deba efectuarse en la máquina, debe tomarse como referencia el nivel de capacitación descrito a continuación para determinar el personal que puede desarrollarla.

Usuario final	Personal sin competencias específicas, capaz de llevar a cabo sólo operaciones de compra y retirada del producto, mediante el uso de los mandos a la vista de la máquina, o bien siguiendo las instrucciones de la pantalla
Operador encargado del mantenimiento ordinario	Personal capaz de desarrollar las tareas de la categoría anterior y, además, trabajar según las instrucciones señaladas con el símbolo  incluidas en este manual
Operador encargado del mantenimiento extraordinario	Personal que puede desarrollar las tareas de la calificación anterior y, además, operar según las instrucciones que figuran con ambos símbolos  incluidos en este manual. En algunos casos, los técnicos especializados deben poder trabajar incluso con las protecciones excluidas, por tanto en condiciones de seguridad precarias. De todos modos, todas las operaciones con órganos en movimiento y/o en presencia de tensión deben desarrollarse en casos excepcionales y sólo si es efectivamente imposible trabajar en condiciones de seguridad adecuadas. El acceso a estas zonas solo se debería permitir a las personas que conozcan y tengan experiencia práctica del aparato, sobre todo en temas de seguridad e higiene.

Las operaciones que se describen en este manual relacionadas con cada fase del ciclo de vida de la máquina se han sido analizadas atentamente por el fabricante; por lo tanto el número de los operarios y la calificación requerida para cada una de ellas son aquellos más idóneos para llevar a cabo mejor la función.

1.4 SEGURIDAD



Este aparato puede ser utilizado por niños mayores de 8 años y por personas con capacidades físicas, sensoriales o mentales reducidas, o con experiencia y conocimientos insuficientes, siempre que sean supervisados o instruidos sobre cómo usar el aparato de manera segura y sobre los peligros que conlleva.



El uso de accesorios o componentes no originales puede comprometer la seguridad de la máquina. Fas no se asume ninguna responsabilidad por el empleo de piezas o accesorios no originales, y se considera eximida de cualquier daño directo o indirecto que pudiera derivar de tal comportamiento. La variedad de productos similares en comercio impide a Fas comprobar dichos componentes. Atención: el uso de partes y recambios no originales puede anular la garantía que cubre la máquina.



La fabricación y el análisis de la seguridad del distribuidor automático tienen como referencia las normas vigentes.

El cable de alimentación es de tipo con clavija no separable. La eventual sustitución del cable de conexión debe ser realizada exclusivamente por personal cualificado del servicio técnico.

Cualquier intervención que difiera del mantenimiento ordinario se debe realizar con la clavija de alimentación no enchufada.



Es obligatorio usar prendas de vestir adecuadas como se ha previsto en este manual y por las leyes vigentes en el País en el que se utiliza la máquina; De todas formas, se deben evitar prendas largas o amplias, cinturones, anillos y cadenas los cabellos si son largos deben recogerse en un gorro adecuado.

Está terminantemente prohibido hacer funcionar la máquina con las protecciones fijas y/o móviles desmontadas y con los dispositivos de seguridad excluidos.

Está absolutamente prohibido sacar o menoscabar los dispositivos de seguridad.

No realizar ningún mantenimiento o regulación en la máquina sin haber leído o comprendido el contenido de este manual.

Las operaciones de regulación con los sistemas de seguridad reducidos o parcialmente excluidos, deben efectuarlas una persona sola y, durante su desarrollo debe prohibirse el acceso a la máquina a personas no autorizadas; si es posible, debe mantenerse abierta sólo una protección cada vez.



Después de haber efectuado una operación de regulación o de mantenimiento con los sistemas de seguridad reducidos, hay que restablecer lo antes posible el estado de la máquina con todas las protecciones activas.

El escrupuloso respeto de las operaciones de mantenimiento periódicas indicadas en este manual es necesario para trabajar en condiciones de seguridad y para mantener eficiente la máquina.

Comprobar el buen estado de las etiquetas de seguridad y estudiar su significado: son necesarias para evitar accidentes; si están deterioradas, perdidas o pertenecen a componentes sustituidos, se deben reemplazar con otras solicitadas a la Casa Fabricante colocándolas en su posición exacta como se indica en este manual



Recuerde que un operador prudente y en buenas condiciones psicofísicas es la mejor seguridad contra cualquier accidente.



Está totalmente prohibido utilizar los esquemas eléctricos para realizar modificaciones en la máquina.



Emplear una cantidad de operarios diferente o con cualificación inferior a la requerida, podría poner en peligro la seguridad del personal que se encuentra trabajando o en las cercanías de la máquina.



Los productos alimentarios que dispensa el distribuidor automático se venden en envases herméticamente cerrados.

Atenerse escrupulosamente a las indicaciones del fabricante relativas a la fecha de caducidad de cada uno de los productos y a la temperatura de mantenimiento.

El distribuidor automático debe considerarse un instrumento idóneo para el mantenimiento de la temperatura de los productos y **NO** para su enfriamiento.

Si los productos alimenticios son frescos y/o fácilmente perecederos y de todos modos en todos los casos previstos por la legislación vigente, hay que:

programar la temperatura interna del distribuidor automático conforme con las leyes en vigor;

durante el transporte hasta el distribuidor automático, mantener los productos a las temperaturas previstas por las leyes en vigor.



Este distribuidor lleva incorporado el dispositivo de "seguridad frigorífica" conforme a las normas de conservación de los géneros alimenticios frescos vigentes en algunos países y permite mantener estos productos en las condiciones previstas por el manual, siempre que estos productos ya hayan sido introducidos con la correcta temperatura de conservación, tal como prescriben estas normas.

El incumplimiento de esta regla podría provocar la actuación de la "seguridad frigorífica".



Con el fin de garantizar el funcionamiento correcto del distribuidor, no es posible modificar las posiciones de los cajones.

**ATENCIÓN:**

El uso de la versión “T.A.” (temperatura ambiente) del distribuidor sin grupo refrigerante, NO prevé la venta de productos alimenticios.



En caso de incendio no deben usarse chorros de agua contra la máquina porque podrían provocar cortocircuitos con consiguientes accidentes incluso mortales para las personas presentes.



Empujar la máquina accionando el interruptor general y quitar el enchufe antes de iniciar las operaciones de limpieza. No lavar el distribuidor con chorros de agua directos y/o de alta presión.



No sumergir la caja recaudadora en el agua,
NO usar solventes o esponjas metálicas,
NO usar lubricantes en aerosol



No almacenar sustancias explosivas como botes de aerosol con un propelente inflamable en este aparato.



Este aparato está destinado a utilizarse en aplicaciones domésticas y similares, como por ejemplo:

- áreas de cocina para el personal en tiendas, oficinas y otros lugares de trabajo;
- turismo rural y clientes de los hoteles, moteles y otros ambientes de tipo residencial;
- ambientes tipo bed and breakfast;
- catering y aplicaciones similares, no minoristas.

	El aparato debe estar conectado a una red de alimentación provista de una toma de tierra según las legislaciones vigentes. Se recomienda tener en cuenta que la red de alimentación eléctrica del distribuidor deberá estar dotada de un dispositivo de desconexión con apertura de los contactos por lo menos de 3 mm. El enchufe será de fácil acceso con la instalación terminada. No está admitido el uso de prolongadores, adaptadores ni tomas múltiples.
	ATENCIÓN: al colocar el aparato, comprobar que el cable de alimentación no esté atascado o dañado.

2 USO DISTRIBUIDOR AUTOMÁTICO PARA LA VENTA PRODUCTOS ALIMENTICIOS

	<p>ATENCIÓN: La determinación y la programación de las temperaturas de mantenimiento de los productos alimenticios deben llevarse a cabo conforme con lo establecido por el productor y por la legislación vigente. Estas funciones deben asignarse a personal adecuadamente cualificado escogido por el gestor de la instalación.</p>
--	---

A través del distribuidor automático pueden venderse productos alimenticios.

Los productos alimenticios vendibles son:

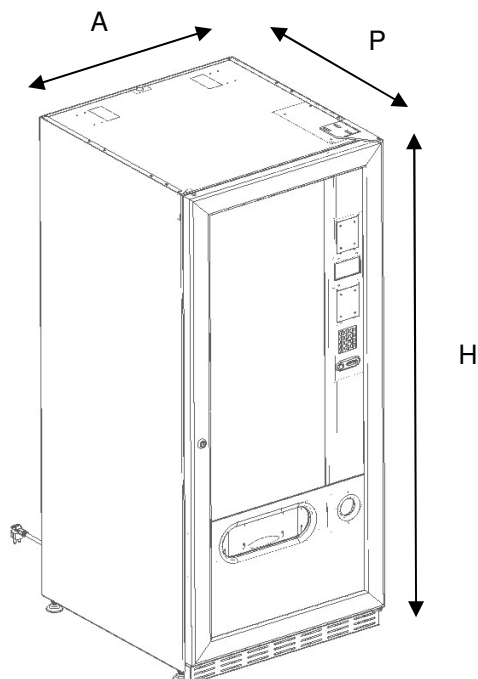
- caramelos, avellanas, goma de masticar y golosinas similares
- galletas crackers y productos de horno similares
- Alimentos con un nivel de pH no superior a 4,6 o con un valor de actividad del agua (Aw) a 25°C no superior a 0,85
- Alimentos conservados a una temperatura no superior a 5°C por los periodos especificados por el fabricante, pero no superior a 5 días
- Alimentos en recipientes cerrados herméticamente
- Alimentos tratados para prevenir su deterioro

2.1 ESTIMACIÓN DEL IMPACTO DE LOS AJUSTES DE TEMPERATURA EN LOS RESIDUOS ALIMENTARIOS

	<p>ATENCIÓN: El uso de los parámetros de programación correctos permitirá la gestión de los productos alimentarios hasta su fecha de caducidad natural, minimizando así el desperdicio. Por otro lado, se recomienda un análisis correcto de Haccp, para que los ajustes de seguridad de refrigeración (Health Control) no sean demasiado estrictos con respecto a los parámetros de temperatura externos: recordar que, por ley, cada vez que se activa el sistema de seguridad, es obligatorio desechar todos los productos perecederos.</p>
--	---

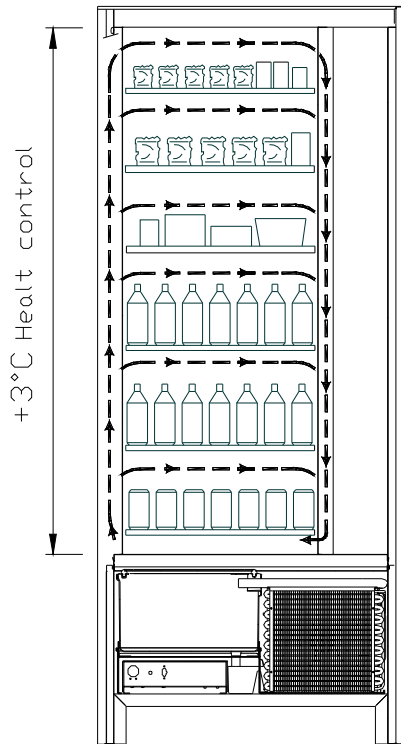
**E
S
P
A
Ñ
O
L**

3 CARACTERÍSTICAS TÉCNICAS



Altura	H = 1830 mm (YOUNG 183) H = 1700 mm (YOUNG 170)
Largo	L = 750 mm
Ancho	P = 790 mm
Peso (sin embalaje)	239 kg (YOUNG 183) 224 kg (YOUNG 170)
Tensión nominal	véase la placa de identificación
Potencia nominal	véase la placa de identificación
Condiciones ambientales límites de funcionamiento	Temperatura ambiente máxima de 32°C Temperatura ambiente mínima de 3°C Humedad relativa máxima del 65%
Sistema de refrigeración	De compresión - clase N - Evap. Ventilado Descongelación cíclica
Sistema de venta	FIFO
Ventanilla retiro del producto	1
Peso máx. por cajón	15 kg Uniformemente distribuido 30 kg Uniformemente distribuido (guías reforzadas)
Nivel de presión sonora ponderado "A"	Inferior a 70 dB

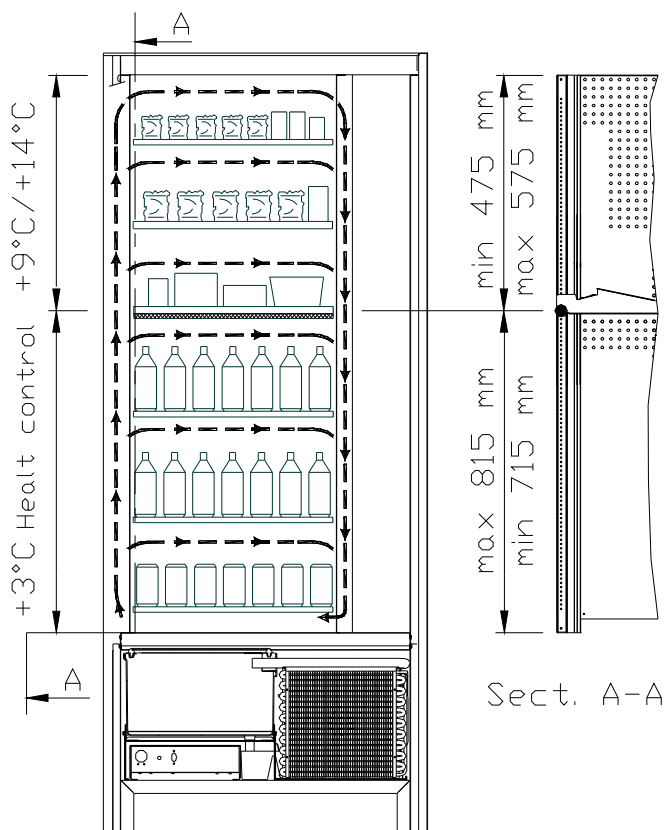
YOUNG 183 1T



- Todos los cajones se podrán configurar con una temperatura de +3°C, que permite conservar bien las sustancias alimenticias pues con temperaturas superiores se deteriorarían. En esta área, cumpliendo con las normas "haccp" (hazard analysis and critical control points), se ha previsto un control, llamado "seguridad refrigeración", para impedir la venta del producto en caso de que se supere la temperatura a la que el producto podría deteriorarse.

YOUNG 2T, con un sistema electrónico, permite disponer de dos áreas con temperatura diversificada, y precisamente:

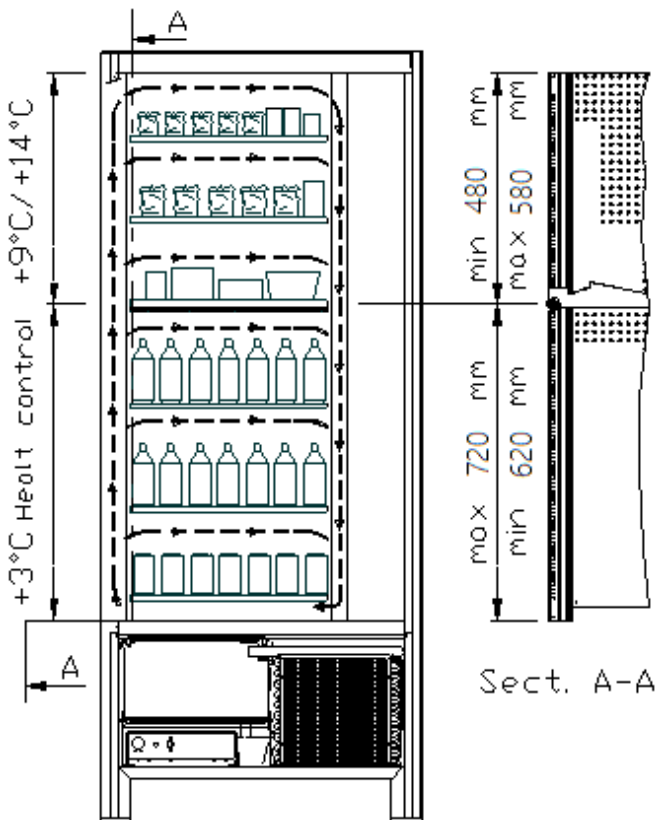
➤ YOUNG 183 2T



- **área de cajones superiores** en la que la temperatura está estratificada de +9°C a +14°C y es ideal para los productos de larga conservación.
- **área de cajones inferiores** en la que la temperatura programable a +3°C permite la buena conservación de las sustancias alimenticias que se deteriorarían con temperaturas superiores. En esta área, cumpliendo con las normas "haccp" (hazard analysis and critical control points), se ha previsto un control, llamado "seguridad refrigeración", para impedir la venta del producto en caso de que se supere la temperatura a la que el producto podría deteriorarse.

Las dos zonas están aisladas entre sí mediante un panel aislante.

➤ YOUNG 170 2T



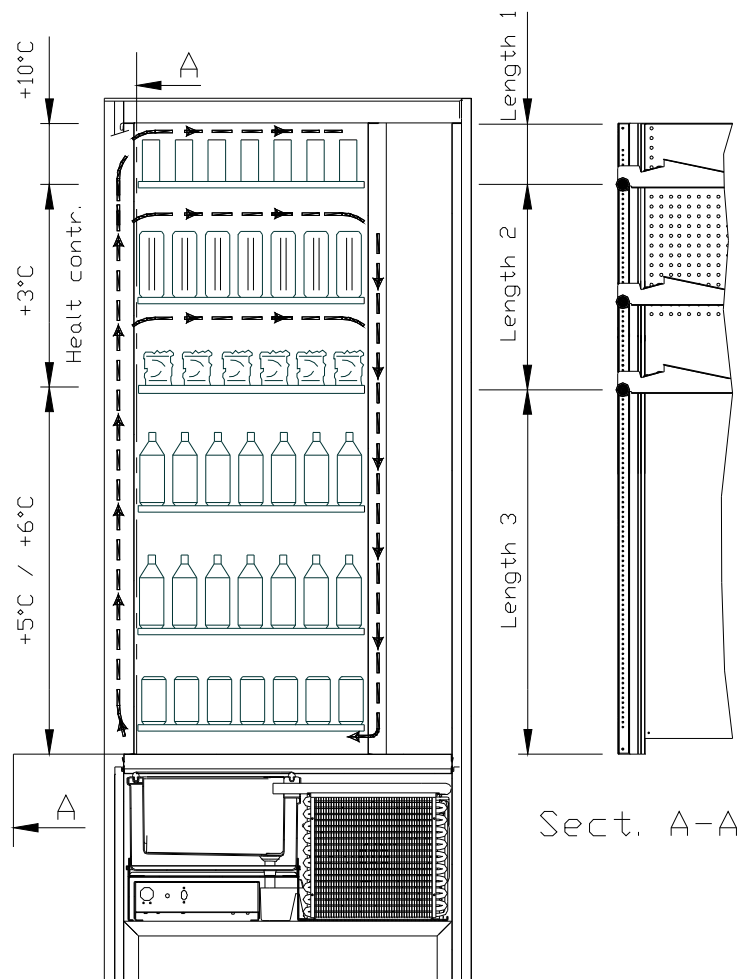
- **área de cajones superiores** en la que la temperatura está estratificada de +9°C a +14°C y es ideal para los productos de larga conservación.
- **área de cajones inferiores** en la que la temperatura programable a +3°C permite la buena conservación de las sustancias alimenticias que se deteriorarían con temperaturas superiores. En esta área, cumpliendo con las normas "haccp" (hazard analysis and critical control points), se ha previsto un control, llamado " seguridad refrigeración", para impedir la venta del producto en caso de que se supere la temperatura a la que el producto podría deteriorarse.

Las dos zonas están aisladas entre sí mediante un panel aislante.

YOUNG 183 3T (todos los productos se conservan a temperatura óptima).

YOUNG 3T, con un sistema electrónico, permite disponer de tres áreas con temperatura diversificada, y precisamente:

- **área del cajón superior** con temperatura de cerca de $+10^{\circ}\text{C}$ y que resulta ideal para los productos de larga conservación.
- **área de los cajones centrales** con temperatura programable a $+3^{\circ}\text{C}$, que permite la buena conservación de las sustancias alimenticias deteriorables con temperaturas superiores. En esta área, cumpliendo con las normas "haccp" (hazard analysis and critical control points), se ha previsto un control, llamado "seguridad refrigeración", para impedir la venta del producto en caso de que se supere la temperatura a la que el producto podría deteriorarse.
- **área de los cajones inferiores** con temperatura de cerca de $+6^{\circ}\text{C}$, ideal para bebidas y/o productos de larga conservación.



4 COMPONENTES PUERTA

- 1 **Display:** En el display aparece la cantidad total de monedas introducidas así como la referencia y el precio de la selección y todos los mensajes de funcionamiento. En caso de avería de la máquina, el display visualiza el número de alarma que ha intervenido.
- 2 **Botón de devolución:** desbloquea las monedas atascadas en la caja recaudadora y las envía a la bandeja de recuperación de monedas.
- 3 **Ranura para las monedas:** la usa el cliente para pagar el importe del producto seleccionado.
- 4 **Botonera de selección:** este panel está conformado por una serie de interruptores identificados con letras y números. Para la selección marcar el número que corresponde al producto deseado.
- 5 **Ventanilla de retiro producto:** la usa el cliente para retirar el producto comprado.
- 6 **Bandeja para recuperar las monedas:** ubicada en la parte inferior, se utiliza para restituir el cambio.
- 7 **Cerradura puerta.**
- 8 **Cubrepiernas.**

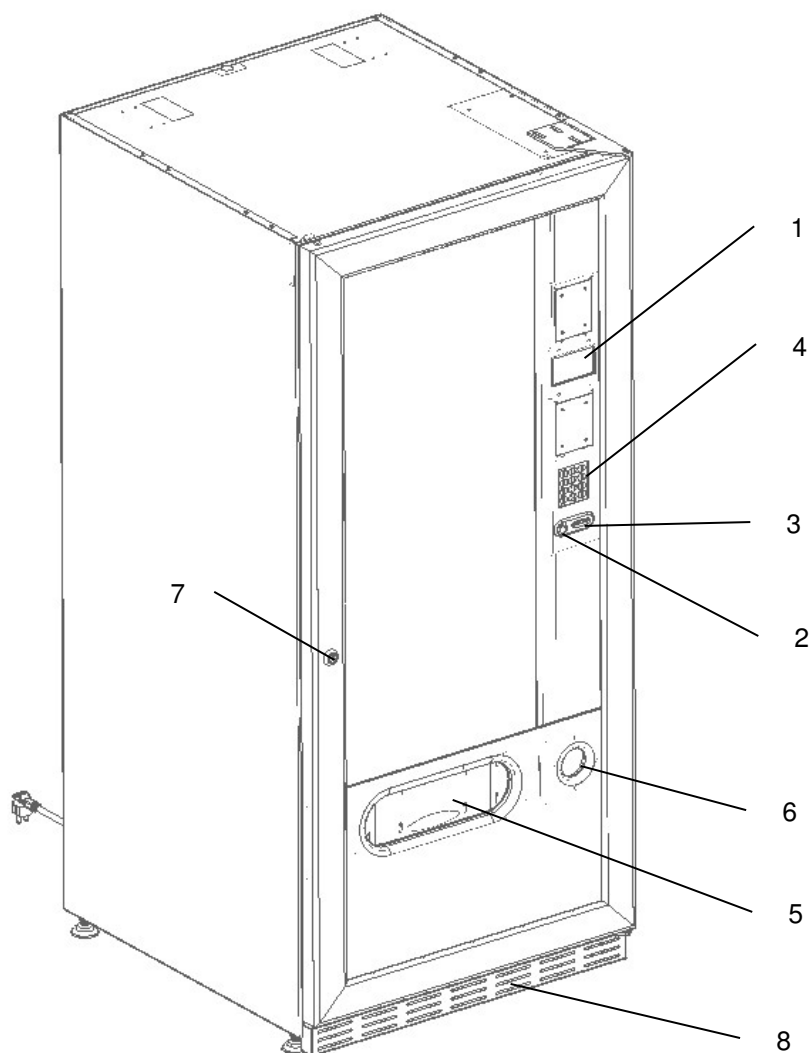


fig. 1

5 COMPONENTES INTERNOS

- 1 **Tarjeta principal:** está puesta en el interior de la caja recaudadora y gestiona las diferentes funciones del distribuidor.
- 2 **Grupo frigorífico:** está colocado en la parte inferior de la caja, detrás del bolsillo de donde se retiran los productos y su función es mantener dentro del distribuidor la temperatura establecida.
- 3 **Panel eléctrico:** el panel eléctrico situado en la parte inferior del distribuidor, detrás de la bolsa de recuperación, acoge todas las conexiones eléctricas, así como la tarjeta de potencia y los fusibles.
- 4 **Micro puerta:** envía a la tarjeta la información de “puerta abierta”.
- 5 **Caja monedas.**
- 6 **BARRA DISPLAY PRECIOS:** una barra retroiluminada que muestra claramente, en correspondencia con cada producto, su precio y número de selección. **(si presente)**

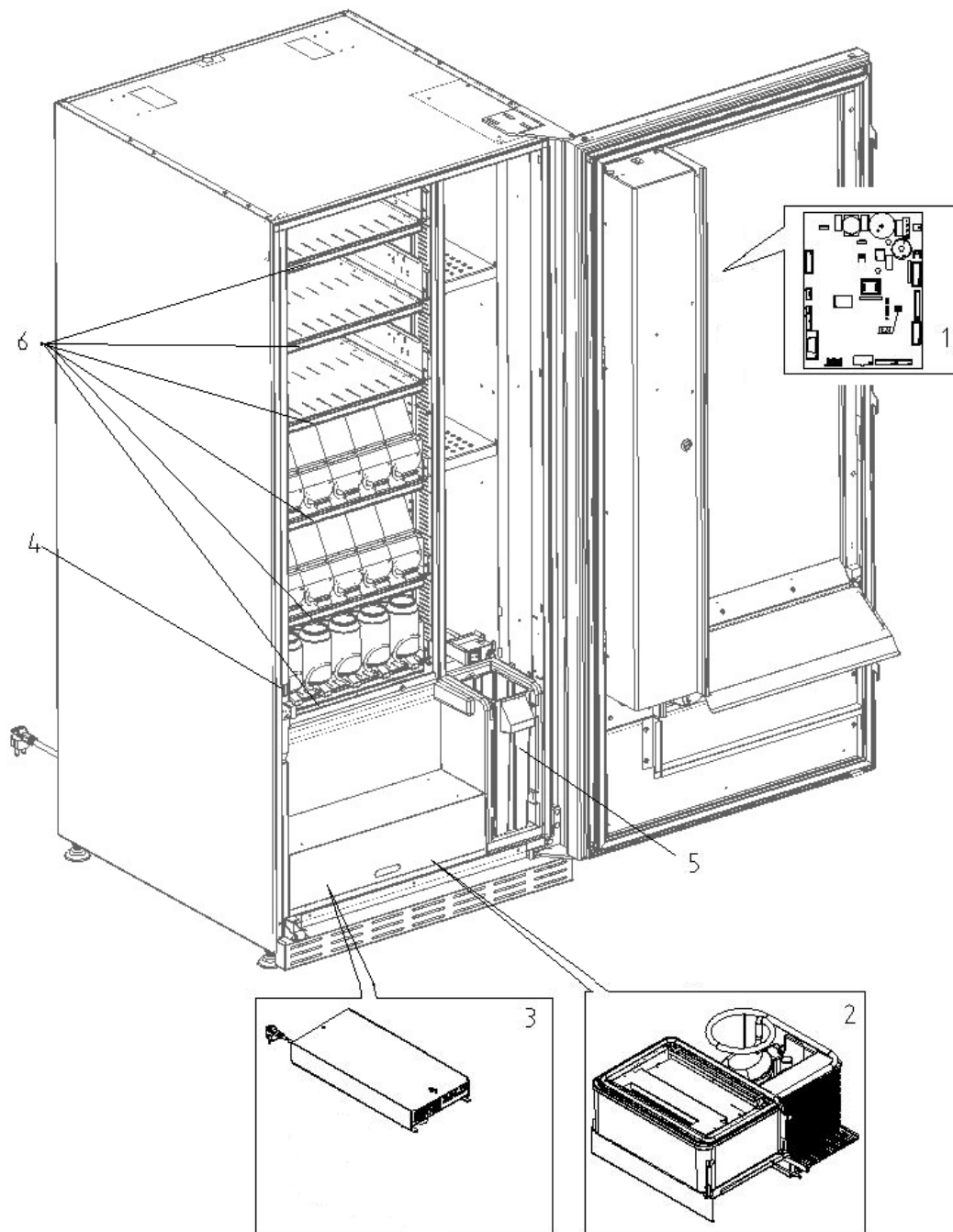


fig. 2

6 TRANSPORTE, MOVIMIENTO, ALMACENAMIENTO Y DESEMBALAJE



En el caso en que se hubiesen verificado daños, avisar inmediatamente al expedidor.

6.1 TRASPORTE Y ALMACENAMIENTO

A fin de no provocar daños al distribuidor, las maniobras de carga y descarga, deben efectuarse con particular cuidado.

Las operaciones de carga/descarga deben efectuarse levantando el distribuidor con una carretilla elevadora manual o motorizada, situando las horquillas en la parte inferior del pallet.

El desplazamiento por trechos cortos, por ejemplo, en el interior de un establecimiento o de una oficina, puede efectuarse sin la utilización del pallet, con el máximo cuidado para no dañar el distribuidor. Sin embargo, siempre está **prohibido**:

- Inclinarse el distribuidor;
- Arrastrar el distribuidor con sogas o similares;
- Levantar el distribuidor con tomas de fuerza laterales;
- Levantar el distribuidor con cualquier embrague o soga;
- Sacudir o traquetear el distribuidor y su embalaje.



Se desaconseja vivamente volcar el distribuidor para evitar que el aceite contenido en el compresor se vuelque y deje de garantizar su correcta lubricación, provocando averías durante la puesta en marcha. Si se inclina el distribuidor, situar el mismo en un ambiente con temperatura no inferior a 18°C, luego dejar pasar como mínimo 2 horas antes de ponerlo en funcionamiento.

En cuanto al almacenamiento de las máquinas es ideal que el ambiente de conservación sea bien seco con temperaturas comprendidas entre 0 y +40°C.

Cubrir la máquina tras haberla situado en un ambiente protegido y evitar movimientos o golpes accidentales. Se **prohíbe** superponer varias máquinas embaladas. Es necesario mantener la posición vertical indicada por las flechas en el embalaje.

6.2 DESEMBALAJE

Los materiales del embalaje deberán sacarse con atención para no dañar el distribuidor; inspeccionar el interior y el exterior de la caja para comprobar la presencia de eventuales daños. No destruir los materiales de embalaje hasta que el representante de la empresa de transportes no los haya examinado.



Acuérdese de sacar los componentes del embalaje o las partes colocadas dentro del distribuidor automático que podrían impedir el correcto funcionamiento de la máquina.

Para sacar la máquina del pallet, hay que destornillar los 4 tornillos de cabeza hexagonal que fijan la base del distribuidor al pallet, 2 de ellos situados en la parte posterior del distribuidor, 2 en la parte anterior y accesibles abriendo la puerta.

Con el fin de asegurar la apropiada circulación del aire de la unidad de refrigeración, volver a montar, invertidos, los estribos posteriores que fijan el distribuidor al pallet.




Los materiales de embalaje se deben eliminar respetando el medio ambiente y la legislación vigente.




Elevar el distribuidor automático asegurándose de que los pies de soporte sobresalgan del perfil del pallet.


6.3 INSTALACIÓN

El distribuidor debe colocarse en una zona (suelo, entreplanta) ventilada o aireada adecuada para soportar su peso.

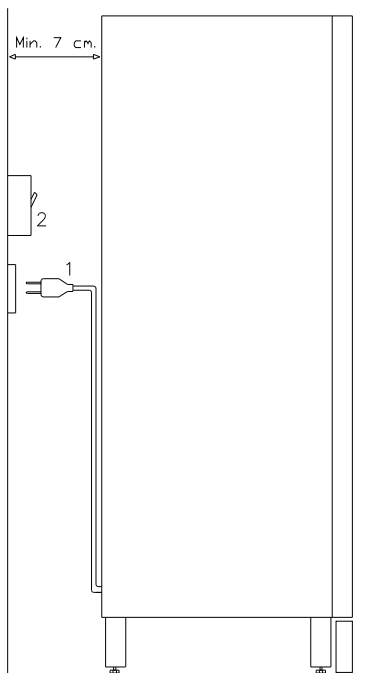
	El aparato no es apto para su instalación en exterior, no se debe exponer a los rayos directos del sol o en lugares en los que se puedan usar chorros de agua. El aparato se puede instalar en lugar en los que la temperatura ambiente esté comprendida entre 3°C y 32°C.
---	--

Comprobar que la capacidad de la instalación sea adecuada para la potencia máxima del distribuidor indicada en la placa de datos. En caso de dudas, acudir a personal cualificado profesionalmente. Dicho personal deberá comprobar también que la sección de los cables de la instalación sea idónea para la potencia absorbida por el distribuidor.

	<p style="text-align: center;">Las siguientes indicaciones son válidas solo para Reino Unido.</p> <p style="text-align: center;">Los cables del conductor son de colores según el siguiente código: VERDE Y AMARILLO - MASA ---- AZUL - NEUTRO ---- MARRÓN - FASE</p> <p>Como los colores de los cables del conductor de este aparato podrían no corresponder con las marcas de colores de los terminales de la toma, proceder de la siguiente manera: El cable de color VERDE y AMARILLO se debe conectar con el terminal de la toma indicada con la letra E con el símbolo de masa o de color VERDE o VERDE y AMARILLO. El cable de color AZUL se debe conectar con el terminal de la toma indicada con la letra N o de color NEGRO o AZUL. El cable de color MARRÓN se debe conectar con el terminal de la toma indicada con la letra L o de color ROJO o MARRÓN.</p>
---	---

	El fabricante no es responsable de los daños causados por no ajustarse a las indicaciones presentadas más arriba.
---	--

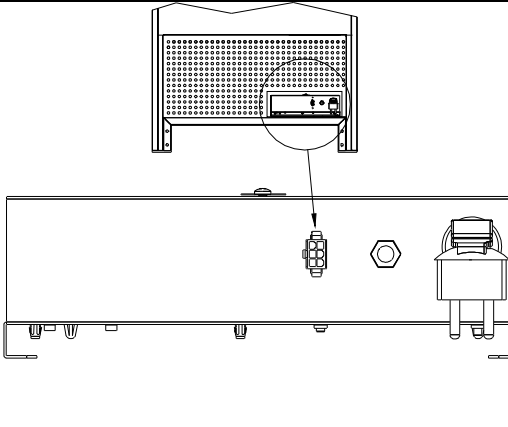
- Una vez efectuadas las conexiones, la máquina debe colocarse cerca de una pared y de manera que la parte posterior se encuentre a una distancia mínima de 7 cm de la misma para permitir una ventilación regular.
- Después de haber colocado el distribuidor, regular los cuatro pies regulables de forma que el distribuidor automático esté en posición perfectamente horizontal; Todas las patas deben tocar el pavimento.
- Montar el cubrepatas anterior.
- Controlar que tanto el cubrepatas anterior como las rejillas detrás y debajo del grupo frigorífico estén siempre limpias y sin obstrucciones.



Descripción de las conexiones:

1 Clavija tipo "schuko"

2 Interruptor magnetotérmico diferencial

	<p>CONEXIÓN MASTER / SLAVE</p> <p>Es posible conectar a la máquina MASTER una máquina SLAVE. Para ello se utiliza un cable serial, el conector está situado en la parte posterior de la máquina.</p> <p>Es posible también conectar una Stand-Along en modalidad Slave, véase el Mando 49.</p> <p>Si hay un distribuidor esclavo, debe estar conectado a un distribuidor maestro para que funcione correctamente. De hecho, todos los parámetros de funcionamiento se pueden ajustar solo a través de los mandos de la máquina maestra. En particular, la temperatura para almacenar productos perecederos sólo se garantiza si la máquina esclava está conectada a una máquina maestra configurada con los parámetros de programación correctos.</p>
---	--

- Para encender la máquina efectuar las siguientes operaciones. Conectar el cable de alimentación. Si en la pantalla aparece la leyenda "MEMORY CLEARED", apretar el pulsador situado en la tarjeta principal dentro de la caja recaudadora para inicializar la memoria. En la pantalla aparece el mensaje "PUERTA ABIERTA". El distribuidor automático empezará automáticamente un autotest. Si se localiza ningún error, la máquina estará lista para su uso.
- Programar la máquina (véase cap. "PROGRAMACIÓN"), establecer los PARÁMETROS FRIGORÍFICO (véase el párrafo correspondiente) en conformidad a los productos alimenticios colocados en el distribuidor y programar los precios.
- Si la máquina tiene caja recaudadora con devolución del resto, introducir en los tubos de resto las correspondientes monedas.
- Cargar los productos en la máquina (véase párrafo Carga productos).

6.4 ADVERTENCIAS PARA LA INSTALACIÓN

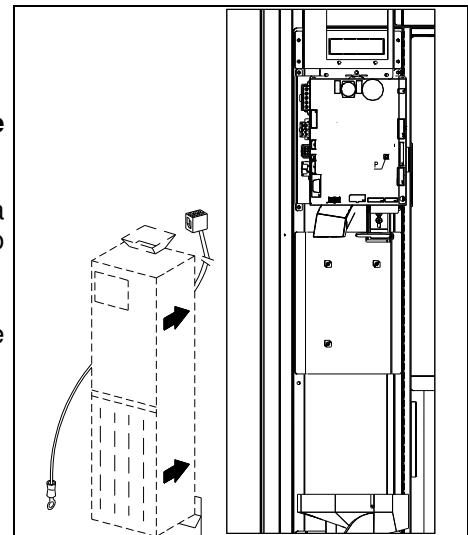
La máquina se vende sin sistema de pago, por lo tanto, cualquier fallo de la máquina o daños a personas o cosas que se produjeran como consecuencia de una instalación incorrecta del sistema de pago, estarán solo y exclusivamente a cargo de quien ha realizado dicha instalación.

6.5 CONFIGURACIÓN DEL SISTEMA DE PAGO

La conexión y la desconexión de la caja recaudadora se llevarán a cabo con la máquina apagada.


Al lado de la tarjeta principal están puestos los conectores para la conexión de la caja recaudadora. El distribuidor está conformado para sistemas de pago con protocolos EXECUTIVE, MDB y BDV.

- Fijar la caja recaudadora en su soporte, colocándola dentro de los pernos.
- Conectar los conectores de la caja recaudadora a la máquina.
- Regular la rampa de introducción de monedas en la entrada de la caja recaudadora.
- Regular las palancas del botón de restitución.



7 ADVERTENCIAS PARA LA DEMOLICIÓN DE LA MÁQUINA

En caso en que se retirara la máquina para demolerla definitivamente, es obligatorio atenerse a las leyes vigentes en tema de protección del ambiente. Todos los materiales ferrosos, plásticos, etc. deben ser llevados a los correspondientes depósitos autorizados. Cabe prestar especial cuidado con:

	<p>Gases presentes en la unidad refrigerante que, sean del tipo que fueren (véase la placa de identificación), deben ser recuperados con equipos apropiados para tal fin, por empresas especializadas.</p> <p>Materiales aislantes: deben ser recuperados por empresas especializadas.</p>
---	--

En caso de duda, aconsejamos solicitar información a los organismos competentes locales encargados de la eliminación de desechos.

8 MANEJO DEL DISTRIBUIDOR

8.1 CARGA PRODUCTOS EN LA ZONA CAJONES

Una vez llevado a cabo el procedimiento de puesta en funcionamiento y efectuada la programación de la máquina, proceder de la siguiente manera:

- 1) Abrir la puerta.
- 2) Extraer los cajones de uno en uno, tirando hacia afuera, cogiéndolo por la parte inferior, hasta encontrar el punto de retención. El cajón se inclina hacia abajo, facilitando la carga.
- 3) Comenzar la introducción de los productos desde adelante hacia el interior, asegurándose de que todos los espacios sean llenados. La base del producto debe estar situada hacia el fondo del compartimento, exactamente sobre la espira, con la etiqueta hacia la vitrina, de manera tal que el cliente alcance a verla. Todos los productos deben situarse fácilmente entre las espiras. No colocar objetos más grandes: las espirales pueden tener pasos diferentes y, por lo tanto, se puede elegir la espiral apta para el producto que se quiere vender o viceversa, elegir el producto en base a las espirales que se tienen.
- 4) Una vez que se han llenado todos los cajones, asegurarse de que vuelvan a la posición "STANDBY"; Se puede dar una vuelta de 45° por vez, a cada espiral. La mayor parte de los artículos son expulsados sin problemas en el momento de la venta, si el extremo de la espiral está colocada a 6 horas. Para los productos en brik, regular el extremo con un anticipo de 90°.

ADVERTENCIAS: Los productos en bolsa o en caja, si no están colocados correctamente pueden provocar problemas. El borde sellado de la bolsa puede ser ubicado debajo del hilo de la espiral, impidiendo de este modo que la bolsa se caiga. Se recomienda doblar el borde hacia adelante y hacia arriba antes de colocar la bolsa en el espacio de la espiral. Al cargar productos como por ej. canapés, bizcochos, artículos "frágiles", deberían ser colocados en los cajones más bajos, para que no se dañen con la caída.

8.1.1 ADVERTENCIAS SOBRE LA CARGA DE PRODUCTOS

Verifique en el capítulo CARACTERÍSTICAS TÉCNICAS a qué configuración corresponde su distribuidor automático, para identificar con precisión la zona con el control de "seguridad refrigeración".

Al encender la máquina por primera vez, esperar hasta que se alcance la temperatura de régimen, o sea, unas 12 horas. De cualquier modo, antes de cargar la máquina con los productos refrigerados, controlar que la temperatura en el interior del aparato sea inferior a 4°C (véase Mando 66 y Mando 67).

En el caso de actuación de la "seguridad refrigeración", los productos de las selecciones fuera de servicio se deberán eliminar; también en este caso, al volver a encender la máquina se esperará hasta que se alcance la temperatura de régimen, antes de introducir los nuevos productos refrigerados.

Los productos refrigerados estarán dentro de los términos de seguridad siempre y cuando el tiempo máximo de apertura de la puerta sea de 15 minutos. Por tanto, se recomienda realizar cualquier operación en el menor tiempo posible.

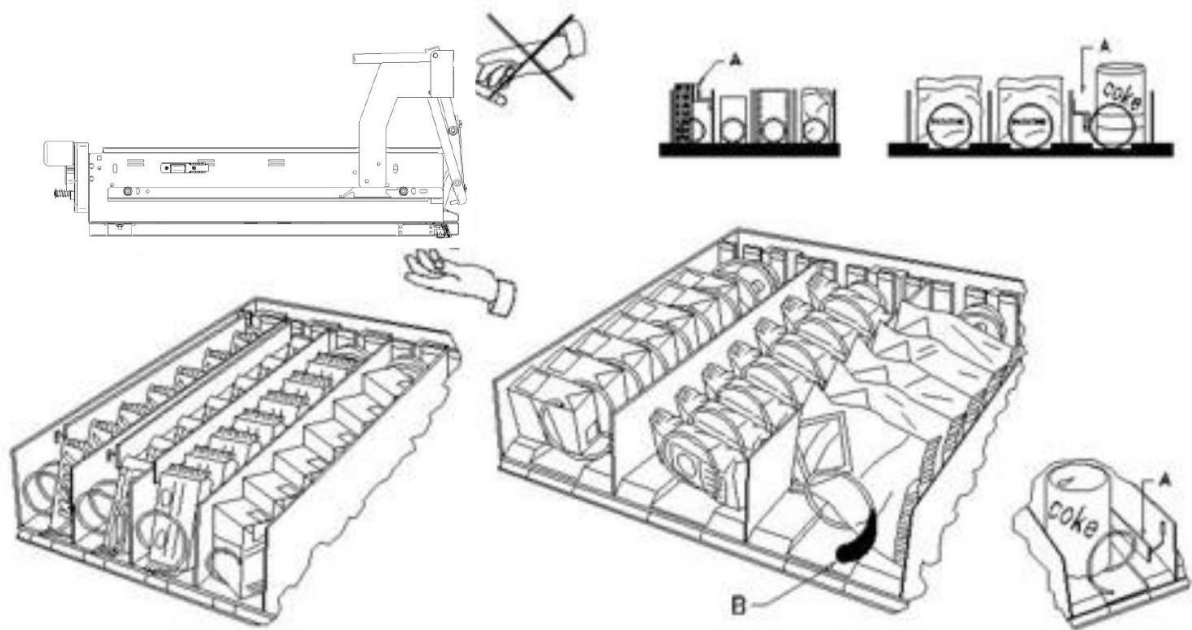


fig. 3

8.2 DISTANCIADORES DE PRODUCTOS EN CAJONES (fig. 3)

Los distanciadores "A" se suministran para ser usados cuando se deben introducir productos "estrechos". Deben ser ubicados de manera tal que mantengan el producto bastante libre contra la parte derecha del compartimento, permitiéndole que permanezca perfectamente en pie. Para regular el distanciador, tirar hacia adelante si se desea restringir el espacio, y empujar hacia atrás si es necesario ensancharlo; dejar siempre 3 mm. entre espaciador y producto.

8.3 EXPULSOR DE PRODUCTOS (fig. 3)

El expulsor -B- puede ser usado cuando los productos vienen en paquete o bolsa como por ej. las patatas fritas o similares. El expulsor los ayudará a salir de la espiral. Se engancha al hilo en el extremo de la espiral y actúa como una prolongación del producto en venta y lo empujará ulteriormente fuera del cajón.

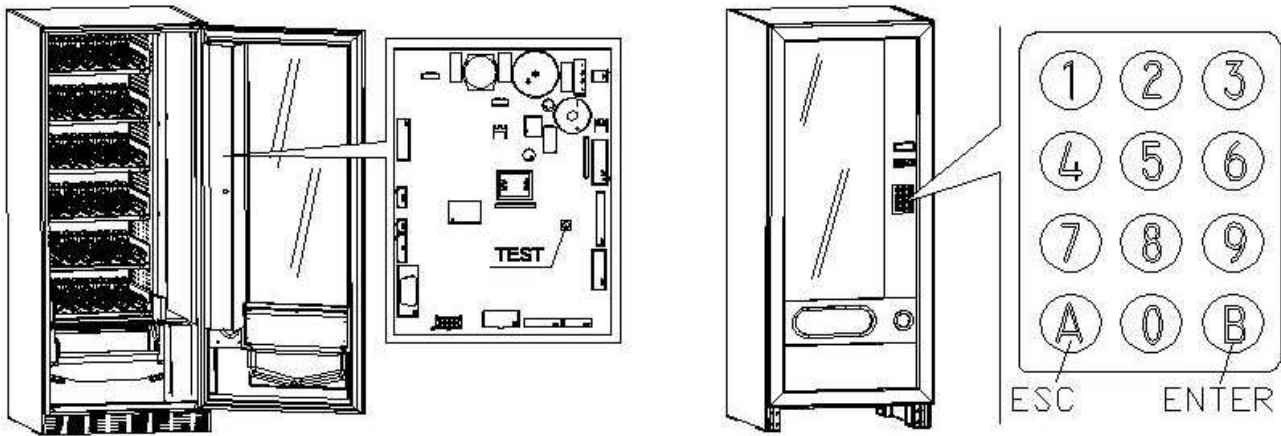
8.4 OPERACIONES DE VENTA DE UN PRODUCTO

Después de haber llenado el distribuidor con los productos deseados, de haber programado los precios de venta de cada producto, de haber colocado los cartelitos con los precios, y de haber controlado que los cajones hayan sido colocados nuevamente en la posición de venta, la máquina está lista para vender.

- 1) Introducir el crédito suficiente para la adquisición del producto.
- 2) Componer en el teclado la combinación correspondiente al producto elegido.
- 3) Retirar de la ventanilla el producto.

9 TECLADO FUNCIONES DE PROGRAMACIÓN

Tras realizar el procedimiento de instalación, abrir la ventanilla y mantener presionado, por aproximadamente 3 seg, el pulsador “TEST” de la tarjeta principal, hasta que el zumbador emita un sonido prolongado. Esto significa que se ha entrado en modo programación y el display mostrará “Mando 00”.



Desde este menú principal se accede directamente a algunos datos o a otros submenús. Escribir en el **Botonera de selección directa** el relativo mando y pulsar la **tecla B (ENTER)** para confirmar la selección. La tecla **B** sirve también para confirmar los datos introducidos con el teclado y memorizarlos. En este caso, aparece en el display, por algunos segundos, la leyenda "OK". Para salir de la programación y pasar de un submenú al menú principal pulsar la **tecla A (ESC)**.

Atención: si el pulsador “TEST” se libera antes del tiempo necesario, el distribuidor entra en la modalidad “verificar selecciones” descrita más adelante. En este caso, se debe salir de esta modalidad, presionando nuevamente el pulsador “TEST”, luego, repetir las operaciones para ingresar a la programación.

Cada vez que se abra la puerta aparecerán en el display, de estar presentes, las selecciones fuera de servicio o que no estén en “home position” por haber realizado el cuarto de vuelta (véase Comando 76). Es posible reactivar las selecciones (haciéndolas girar) con cada presión de la tecla “B”. Si se cierra la puerta sin reactivar todas las selecciones, este evento se registra como error, visualizado con el Comando 99, código 91.

ATENCIÓN: la rotación para reactivar la selección podría ocasionar la caída del producto al suelo, ya que se trabaja con la puerta abierta.

Nota: con la conexión SPIRALI SLAVE habilitada (ver mando 49), seguidamente a la visualización de la máquina MASTER, pulsando el botón A (ESC), se accede a la visualización de los mismos parámetros relativos a la máquina SLAVE.

9.1 VERIFICAR SELECCIONES

Se puede realizar también una prueba de funcionamiento del distribuidor; para este fin, se debe presionar el pulsador de prueba ubicado en la tarjeta principal; en el display aparecerá el mensaje '**SELECCIONES OK**'. Alternativamente podrá aparecer un indicador (ej. 12, 14...) para indicar que durante el funcionamiento se ha verificado una anomalía y los espirales están fuera de servicio. Para restablecerlos basta seleccionar cuanto indicado en el display. Si, durante la prueba, se verifica un error de funcionamiento, en el display permanecerá el mismo identificador de espiral, de lo contrario, se pasará a la sucesiva selección fuera de servicio. Si todas las selecciones están en orden, aparecerá en el display el mensaje correspondiente. En esta fase, se pueden probar todas las selecciones, digitando el identificador correspondiente. Para volver al funcionamiento normal al terminar la prueba, es suficiente con presionar nuevamente el pulsador de prueba, situado en la tarjeta principal.

Nota. Para evitar posibles errores, la máquina vuelve automáticamente al funcionamiento normal, después de aproximadamente 1 minuto, en que no se realizan operaciones, desde que se ingresa en modalidad de prueba.

Si durante la prueba o el restablecimiento se verificasen errores repetidamente, significa que la anomalía no es ocasional sino que podría derivar de la ruptura de algún componente, requiriéndose la oportuna intervención de un técnico.

9.2 LISTA DE LOS MANDOS DE PROGRAMACIÓN

ACCESO A LOS MENUS SECUNDARIOS

Mando	01	Test máquina
Mando	02	Llamada menú secundario reloj temporizador diarios
Mando	03	Llamada del submenú configuración de los precios
Mando	04	Llamada menú secundario programación precios rebajados
Mando	05	Llamada submenú de configuración referencias precios
Mando	06	Configuración del código del producto
Mando	07	Visualización ventas por Selección precio entero
Mando	08	Visualización ventas por selección precio descontado
Mando	09	Visualización totales no ajustables a cero
Mando	10	Visualización totales ajustables a cero
Mando	11	Configuración de secuencias de selección
Mando	15	Menús concatenados.
Mando	25	Habilitación motor de devolución de cambio y microinterruptor de introducción de monedas.
Mando	26	Activación dispositivo de protección de menores (si está presente).

MANDOS a partir del 27 a 39

Modalidad EXECUTIVE	<i>véase párrafo: UTILIZACIÓN SISTEMAS DE PAGO EXECUTIVE STD/EXECUTIVE PRICE HOLDING.</i>
Modalidad BDV	<i>véase párrafo BDV.</i>
Modalidad MDB	<i>véase párrafo MDB.</i>

PROGRAMACIÓN PARAMETROS FRIGORÍFICO

Mando	40	Habilitación vidrio con cámara caliente y elección de grupo refrigerante MASTER y SLAVE en el distribuidor secundario .
Mando	41	Programación temperatura interior
Mando	43	Programación de la temperatura exacta de descongelación
Mando	44	Programación intervalo descongelamiento
Mando	45	Programación del tiempo de deshabilitación de la seguridad frigo
Mando	46	Programación de la temperatura de seguridad frigo
Mando	48	Programación de los cajones con seguridad frigo

PROGRAMACIÓN PARAMETROS MAQUINA

Mando	49	habilitación/deshabilitación espirales slave
Mando	50	Configuración de la máquina (número de selecciones/cajón con empujadores/tiempo límite de accionamiento)
Mando	55	Multifunción de activación barras de la pantalla precios (si las hay)
Mando	56	Opciones de funcionamiento barras de la pantalla precios (si las hay)
Mando	58	Activación modo confirmar selección o preselección
Mando	59	Contador de aperturas
Mando	60	Borrar memoria
Mando	61	puesta a cero security/access code
Mando	62	habilitación descuento
Mando	63	configuración mono/multiventa y opción overpay
Mando	64	Programación lengua visualización mensajes
Mando	66-67	Visualización temperaturas internas y temperaturas evaporador
Mando	68	Configuración de la descripción divisa visualizada
Mando	69	Configuración sistema de pago
Mando	70	Opción funcionamiento con alarma sonora / fondo pantalla Gráfica
Mando	73	Habilitación fotocélulas
Mando	74	Prueba fotocélulas
Mando	75	Configuración parámetros de funcionamiento de la barrera fotocélulas
Mando	76	Opciones de funcionamiento del sistema ("opciones FTC")
Mando	80	Menú de gestión USB
Mando	85	Visualización checksum y versión software de la tarjeta main y power.
Mando	88	Habilitación de calentamiento productos en MÓDULO WAVE (si está presente):

Mando	90	Selección protocolo de AUDIT/habilitación telemetría
Mando	91	Inserción datos de identificación de la máquina
Mando	92	Puesta a cero de los datos de venta
Mando	95	Regulación de las funciones de visualización del display (cuadro de mensaje usuario/presentación de diapositivas internas/presentación de diapositivas USB)
Mando	99	Acceso al menú visualización eventos

9.2.1 ACCESO A LOS MENUS SECUNDARIOS

Mando 01 Test máquina:

Se utiliza para efectuar el test de las selecciones. Tecleando 01 seguido de la tecla B, aparece el mensaje "Selección nº 00", introducir el número de selecciones presentes en la máquina (número de motores) y presionar B. La máquina efectuará la verificación de las selecciones efectivamente presentes (Test 12). Si el número encontrado no es igual al del valor introducido, en el visualizador aparecerá escrito " CONFIG ERROR". Esto significa que uno o varias selecciones no están eléctricamente conectadas, efectuar por tanto una verificación del cableado. Si, en cambio, el número de selecciones encontradas es igual al valor introducido, se efectúan 3 ciclos de suministro para cada selección. Si durante esta fase se verificara cualquier anomalía de funcionamiento en una selección, el test se bloquea y en el visualizador permanecerá visible el correspondiente código de selección. Si el test acaba correctamente, la máquina vuelve al menú principal de la programación (mando 00).

Mando 02 Llamada menú secundario reloj temporizador diarios:

Digitalizar 02 y oprimir ENTER, en la pantalla aparece el menú yel usuario tiene a disposición las siguientes opciones:

1. **Fecha/hora**
2. **Temporizadores semanales**
3. **Opciones iluminación**

1. Fecha/hora:

Este mando sirve para configurar el reloj de la ficha VMC, fecha; hora y día de la semana (el formato de la fecha es año/mes/día YYMMDD).

Se configura también la opción de visualización del reloj en la quinta línea de la pantalla).

2. Temporizadores semanales:

Se accede al submenú configuración de los temporizadores semanales que cuenta con las siguientes opciones:

1. **Ahorro de energía**
2. **Descuento por franjas horarias**
3. **Desactivación Máquina/selecciones**

1. El primer parámetro es la activación/desactivación (1/0) de la opción "ahorro energético". Si la opción está activada, puesto que el temporizador es semanal, se le solicita que escoja el día. La selección se realiza haciendo avanzar los valores con una tecla numérica cualquiera y confirmando la selección con la tecla "B". Se pueden programar 3 períodos diarios de activación/desactivación de la función.

Se proponen por tanto 3 opciones: 1. Copiar las franjas horarias ya programadas en el día siguiente; 2. Copiar las franjas horarias ya programadas en todos los días de la semana; 3. Modificar las franjas horarias de ese mismo día.

2. El primer parámetro es la activación/desactivación (1/0) de la opción "descuento por franjas horarias". Si la opción está activada se repite la secuencia descrita en el punto anterior.

3. También en este caso el primer parámetro es la activación/desactivación (1/0) de la opción "Desactivación máquina/selecciones". Si la opción está activada, se repite la secuencia descrita en el punto 1.

A continuación se configura la aplicación de la desactivación para toda la máquina o sólo parcialmente; en este último caso, es necesario configurar las selecciones para las que se desea aplicar la desactivación horaria.

3. Opciones iluminación

se regula el apagado total = 0, o la atenuación de la luminosidad = 1 durante las franjas horarias de ahorro energético (véase Alarmas 11). A continuación el sistema solicita la opción de apagado de los leds con la puerta abierta, 1 = habilitado, 0 = inhabilitado.

Mando 03 Llamada del submenú configuración de los precios (usted ve también Mando 69):

Escribir con el teclado 03 y pulsar **ENTER**, se llama el submenú de configuración precios por Selección, aparece en el display '**Selección número 0**'.

Escribir con el teclado el número de la Selección cuyo precio se desea visualizar o modificar y pulsar **ENTER**. En el display aparecerá la palabra '**precio.....**', insertar ahora el nuevo valor del precio y pulsar otra vez **ENTER** para guardarlo o bien pulsar la tecla **ESC** para volver al menú principal sin modificar.

Para configurar el precio de la Selección 6 a 1,20 € hay que hacer lo siguiente:

- Modo de programación, el display visualiza.....Mando 0
- Escribir con el teclado 03 y pulsar ENTER, el display visualiza.....Selección número 0
- Escribir con el teclado 6 y pulsar ENTER aparece en el display el valor actual del precio N
- Configurar el valor 120 y pulsar ENTER.

Como alternativa, se pueden programar los precios por cajón: la selección 91 implica que todas las selecciones del primer cajón superior tengan establecido el mismo precio. Selección 92 = 2º cajón; 93 = 3º cajón; 94 = 4º cajón; 95 = 5º cajón; 96 = 6º cajón; 97 = 7º cajón. Programando el precio en la selección 99, se igualan los precios de todas las selecciones del distribuidor con el valor programado.

La programación del valor de los precios enteros modifica el valor del precio correspondiente descontado igualándolos. Por tanto, en el caso de venta con precios diferenciados, es decir, descontados, hay que programar antes el precio entero y luego el precio descontado, nunca al contrario o solamente uno de los dos.

Nota: con la conexión SPIRALI SLAVE habilitada (ver mando 49), seguidamente a la configuración de la máquina MASTER, pulsando el botón ESC, se accede a la configuración de los mismos parámetros relativos a la máquina SLAVE.

Mando 04 Llamada menú secundario programación precios rebajados:

Este mando tiene las mismas funciones del mando 03, con la única diferencia de que este mando programa los precios descontados.

En la modalidad MDB estos precios se refieren a la compra mediante llave o tarjeta de crédito o bien a compras en determinados horarios o a ambos, véase sobre ello la descripción del mando 61. Además, si el sistema cashless MDB permite escoger entre dos tablas de precios diferentes aplicables al producto, con este mando se programan los precios relativos a la tabla 2, los precios relativos a la tabla 1 se programan en el mando 03.

Como alternativa, se pueden programar los precios por cajón: la selección 91 implica que todas las selecciones del primer cajón superior tengan establecido el mismo precio. Selección 92 = 2º cajón; 93 = 3º cajón; 94 = 4º cajón; 95 = 5º cajón; 96 = 6º cajón; 97 = 7º cajón. Programando el precio en la selección 99, se igualan los precios de todas las selecciones del distribuidor con el valor programado.

Nota: con la conexión SPIRALI SLAVE habilitada (ver mando 49), seguidamente a la configuración de la máquina MASTER, pulsando el botón ESC, se accede a la configuración de los mismos parámetros relativos a la máquina SLAVE.

Mando 05 Llamada submenú de configuración referencias precios :

Este mando se utiliza exclusivamente al configurar los precios en la caja recaudadora.

Escribir con el teclado 05 y pulsar ENTER, se entra en el submenú de configuración referencias precios y aparece en el display '**Selección número 0**'. Este submenú permite asociar a cada Selección un número de precio. Escribir con el teclado el código que identifica la Selección y pulsar ENTER, aparecerá en el display el **número** del precio asociado a la Selección elegida. Escribir con el teclado el **número** del nuevo precio que se quiere asociar a la Selección y pulsar ENTER para guardarlo o bien pulsar ESC para volver al submenú, dejando memorizado el valor anterior . Repetir el procedimiento para otra Selección o volver al menú principal pulsando el botón ESC.

Por ejemplo, si se quiere asociar a la Selección 6 el precio número 8 basta hacer lo siguiente :

- Modo de programación, el display visualiza.....Mando 0
- Escribir con el teclado 05 y pulsar ENTER, el display visualiza.....Selecc. número 0
- Escribir con el teclado 6 y pulsar ENTER, aparece en el display el valor actual del parámetro .núm. precio
- Escribir con el teclado 8 y pulsar ENTER.

Mando 06 Configuración del código del producto:

Este mando permite asociar a cada Selección un código de producto de 4 cifras. Luego se enviará este código a la salida RS232 junto a las estadísticas de venta.

Nota: con la conexión SPIRALI SLAVE habilitada (ver mando 49), seguidamente a la configuración de la máquina MASTER, pulsando el botón ESC, se accede a la configuración de los mismos parámetros relativos a la máquina SLAVE.

Mando 07 Visualización ventas por Selección precio entero:

Con este mando se accede al submenú de visualización número ventas por Selección, en el display aparece 'Selección número 0'. Escribir con el teclado el código que identifica la Selección cuyos datos de venta deseamos saber.

Así pulsando la tecla ENTER aparece en el display el valor solicitado. Tecleando ESC se vuelve al menú secundario desde el que se puede visualizar el número de ventas correspondiente a otra selección repitiendo el mismo procedimiento antes enunciado, o bien, se puede volver al menú principal tecleando por segunda vez la tecla ESC.

Nota: con la conexión SPIRALI SLAVE habilitada (ver mando 49), seguidamente a la visualización de la máquina MASTER, pulsando el botón ESC, se accede a la visualización de los mismos parámetros relativos a la máquina SLAVE.

Mando 08 Visualización ventas por selección precio descontado:

Con este mando se accede al menú secundario visualización número ventas por selección con precio entero, en el display aparece 'Selección número 0'. Digitalizar el código que identifica la selección de la que se quieren conocer los datos de venta y teclear ENTER, en el display aparece el valor requerido. Tecleando ESC se vuelve al menú secundario desde el que se puede visualizar el número de ventas correspondiente a otra selección repitiendo el mismo procedimiento antes enunciado, o bien, se puede volver al menú principal tecleando por segunda vez la tecla ESC.

Nota: con la conexión SPIRALI SLAVE habilitada (ver mando 49), seguidamente a la visualización de la máquina MASTER, pulsando el botón ESC, se accede a la visualización de los mismos parámetros relativos a la máquina SLAVE.

Mando 09 Visualización totales no ajustables a cero:

Con este mando se accede a visualizar los totales correspondientes a las transacciones efectuadas desde la inicialización de la máquina. Los datos disponibles están por ejemplo:

Total vendido, total en caja, total en los tubos, tot. billete de banco, total devuelto, total suministrado manualmente desde los tubos, total sobreprecio recaudado, total ventas descontadas, total ventas con sistema cash less, total vendido en condiciones de importe exacto, total recaudado sin ventas, número total ventas efectuadas, valor total de las ventas libres, número total de ventas libres.

Mando 10 Visualización totales ajustables a cero:

Este mando tiene las mismas funciones del mando 09, con la diferencia de que este mando puede ajustarse a cero con el mando 92.

Mando 11 Configuración de secuencias de selección :

La función de este mando es configurar en secuencia las distribuciones de las selecciones que contienen el mismo producto, con el fin de que se vacíe la caja de modo uniforme y progresivo, independientemente de la selección efectuada por el cliente.

Al empezar el mando requiere la habilitación (opción 1) o no (opción 0) de la función.

Si la opción está activada (1) el sistema requiere que se inserte la primera selección de la secuencia, y luego solicita que se asigne un código al producto así como el precio. Confirmar en cada ocasión con ENTER. Añadir las otras selecciones que pertenecen a la misma secuencia. Pulsar ESC para terminar y confirmar la primera secuencia. A este punto se puede insertar otra secuencia o salir del mando pulsando otra vez ESC.

Mando 15 Menús concatenados:**PARA QUÉ SIRVEN:**

Los menús concatenados sirven para vender grupos de productos (hasta un máx. de tres) mediante una sola selección.

Hay dos métodos para programar estos grupos de productos. Estos métodos pueden ser:

1. menús preestablecidos;
2. menús para componer.

Ejemplo de “menús preestablecidos”:

Paso 1: el sistema solicita la habilitación de la función (1 = habilitado; 0 = no habilitado).

Paso 2: si el sistema está habilitado, en el display se visualiza la solicitud de nombrar numéricamente el nuevo menú.

Los números disponibles van de 81 a 89. El sistema solicita la introducción del precio completo y, a continuación, el precio con descuento.

Paso 3: el sistema solicita que se seleccione el primer grupo. Ingresar el número de la sección y confirmar con el botón “B” (enter); presionar “A” (esc) y el sistema solicita la introducción para la selección del segundo grupo. Ingresar el número de la sección y confirmar con el botón “B” (enter); presionar “A” (esc) y el sistema solicita la introducción para la selección del tercer grupo. Ingresar el número de la sección y confirmar con el botón “B” (enter). Llegado a este punto, el sistema solicita el ingreso del segundo menú (por ej. 82, dado que los números disponibles van del 81 al 89).

Ejemplo de “menú para componer”:

Paso 1: el sistema solicita la habilitación de la función (1 = habilitado; 0 = no habilitado).

Paso 2: si el sistema está habilitado, en el display se visualiza la solicitud de nombrar numéricamente el nuevo menú.

Los números disponibles van de 81 a 89. El sistema solicita la introducción del precio completo y, a continuación, el precio con descuento.

Paso 3: a diferencia del "menú pre-compuesto", en el menú para componer, se pueden ingresar varias selecciones para cada grupo. Siempre se pueden ingresar hasta tres grupos de selecciones. De este modo, el usuario final podrá escoger si disponer varios productos para formar su menú.

NOTA:

cuando se habilitan las selecciones por menú, para las selecciones de 81 a 89, se inhabilita el funcionamiento de las fotocélulas.

Mando 25 Habilidadación del motor de devolución de cambio y del microinterruptor de introducción de monedas (si presente):

Paso uno: el sistema pregunta si se desea habilitar el motor que interviene en la devolución del cambio. Valor 1 = habilitado;

valor 0 = inhabilitado. valor por defecto = 0).

Paso dos: el sistema pregunta si se desea habilitar el microinterruptor que interviene en la introducción de monedas.

Valor 1 = habilitado; valor 0 = no habilitado. Valor de default = 0.

Paso tres: el sistema pregunta si se desea configurar por intervalos de tiempo expresado en minutos un ciclo en el motor de devolución del cambio, durante el período de inactividad del distribuidor. Cada ciclo puede programarse entre un tiempo mínimo de 2 min hasta un máximo de 250 min. Valor de default = 0 = ciclo no habilitado.

Mando 26 - Activación sistema de protección de menores:

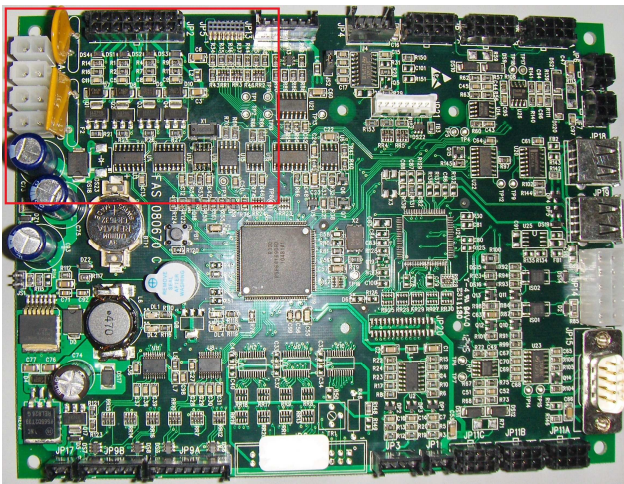
Mediante un contacto eléctrico, este mando permite controlar un dispositivo de protección de menores, cuando está instalado en la máquina.

Paso uno: se solicita la habilitación del control del dispositivo de protección de menores. Valor 1 = habilitado; valor 0 = inhabilitado.

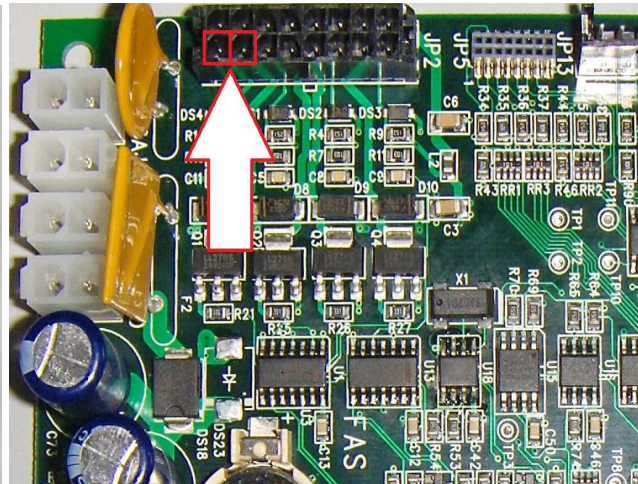
Paso dos: el sistema pregunta cuáles selecciones deben estar sujetas a restricciones de venta.

CONEXIÓN ELÉCTRICA DEL DISPOSITIVO DE PROTECCIÓN DE MENORES:

La conexión debe ser realizada entre un contacto normalmente abierto del dispositivo de protección de menores y los 2 pines del conector JP2 de la tarjeta principal que se muestra en la figura.



Tarjeta principal



Detalle conector JP2

Para la conexión, utilice un conector tipo Molex micro-fit 3.0, pieza n.º 43025-1600.

9.2.2 CONFIGURACIÓN DE LOS PARÁMETROS TEMPERATURA

Mando 40 Habilitación vidrio con cámara caliente y elección del tipo de grupo refrigerante en el distribuidor secundario:

Este mando permite configurar el modelo de grupo refrigerante con o sin electroválvula de descongelación. A continuación se propone la opción para habilitar el calentamiento del vidrio con cámara (valor regulado en 1), si el vidrio tiene resistencia integrada, o inhabilitar este dispositivo (valor regulado en 0). Si el mando está regulado en 1, será posible controlar las franjas horarias diarias de encendido y apagado de la resistencia desempañadora).



La configuración del mando SERÁ coherente con el modelo de máquina, de no ser así la máquina funcionará de forma anómala.

Mando 41 Programación temperatura interior:

Este mando programa la temperatura interior de la máquina, es decir la temperatura mínima que mantiene en funcionamiento el compresor ya que si desciende, éste se apaga. El valor predefinido es de +3°C, y puede variar entre +2 y +25°C.

A continuación el sistema solicita habilitar el kit denominado “sonda ambiente” (si está presente). Valor por defecto 0 = función no habilitada. Valor 1 = función habilitada. Si el valor es 1, desde dicho mando se visualiza el valor detectado por la sonda ambiente.

Para adquirir el kit, les rogamos contacten con el responsable de ventas de área.

Nota: con conexión ESPIRALES SLAVE Habilitado (ver mando 49), después de haber configurado la máquina MASTER, se accede a la configuración de los mismos parámetros de la máquina SLAVE

Mando 43 Programación de la temperatura exacta de descongelación:

Cada vez que el compresor se para, la sonda del evaporador controla la temperatura del mismo. Con este mando se programa la temperatura del evaporador a partir de la cual, y después del goteo, el compresor puede volver a ponerse en funcionamiento; ello para garantizar la completa descongelación del evaporador. El mando está programado a 3°C y puede variar de 3°C a 12°C.

Nota: con conexión ESPIRALES SLAVE Habilitado (ver mando 49), después de haber configurado la máquina MASTER, se accede a la configuración de los mismos parámetros de la máquina SLAVE

Mando 44 Programación intervalo descongelamiento:

Este mando configura el intervalo de descongelación indicado en horas, o sea, el periodo de tiempo entre una descongelación y la siguiente. El valor preestablecido es de 4 h y puede variar entre 1 h y 8 h.

Nota: con conexión ESPIRALES SLAVE Habilitado (ver mando 49), después de haber configurado la máquina MASTER, se accede a la configuración de los mismos parámetros de la máquina SLAVE

Mando 45 Programación del tiempo de deshabilitación de la seguridad frigo:

Este mando programa el tiempo de deshabilitación de la activación de la seguridad frigo. Este periodo de tiempo impide que el distribuidor se bloquee seguidamente a una operación que obliga a abrir la puerta, con consiguiente aumento de la temperatura interna. El retardo de intervención de la seguridad frigo permite a la máquina recuperar la temperatura de funcionamiento. El valor de este mando está prefijado en 60 min. y se puede cambiar de 30 a 360 min.

Nota: con conexión ESPIRALES SLAVE Habilitado (ver mando 49), después de haber configurado la máquina MASTER, se accede a la configuración de los mismos parámetros de la máquina SLAVE

Mando 46 Programación de la temperatura de seguridad frigo:

Este mando programa la temperatura de intervención de seguridad, o sea, la temperatura que al sobrepasarla se bloquean las selecciones de productos (véase Mando 48). El display visualiza un mensaje de aviso apropiado al intentar efectuar una de estas selecciones. Este control está deshabilitado en la fase de encendido y después de cerrar la puerta por el tiempo programado con el Mando 45. El valor prefijado es de +7°C, pero puede variar de +7°C a +35°C. Cuando interviene la seguridad de refrigeración, las selecciones involucradas permanecen fuera de servicio. Para restablecer la seguridad de refrigeración: con la puerta abierta, el display del distribuidor máster visualiza la intervención presente en la máquina máster o, eventualmente, en las máquinas slave conectadas a la misma. El restablecimiento se realiza pulsando la tecla ENTER del teclado externo. Pulsando la tecla ESC o cerrando la puerta, permanece activa la intervención y se registra como ERROR 93. Si al cerrar la puerta la seguridad de refrigeración aún está activa, automáticamente se activa una alarma acústica (serie de tonos).



Los productos deben introducirse ya a su correcta temperatura de conservación como previsto por las normas vigentes. El incumplimiento de esta regla podría provocar la actuación de la "seguridad frigorífica".
Para la descripción detallada de los modos de llenado véanse los párrafos **“ADVERTENCIAS SOBRE LA CARGA DE PRODUCTOS”**

Nota: con conexión ESPIRALES SLAVE Habilitado (ver mando 49), después de haber configurado la máquina MASTER, se accede a la configuración de los mismos parámetros de la máquina SLAVE

Mando 48 Programación de los cajones con seguridad frigo:

Permite seleccionar qué cajones están sujetos a la seguridad frigorífica. Por cada cajón el comando pide la habilitación de la seguridad = 1, o la deshabilitación = 0. El cajón 1 es el primero en la parte superior. Por default, todos los cajones se programan con 1.



Para conseguir el funcionamiento correcto de la máquina, los cajones a configurar con dispositivo de seguridad unidad de refrigeración deberán estar situados al interno del área a 3°C (véase el apartado CARACTERÍSTICAS TÉCNICAS).

Nota: con conexión ESPIRALES SLAVE Habilitado (ver mando 49), después de haber configurado la máquina MASTER, se accede a la configuración de los mismos parámetros de la máquina SLAVE

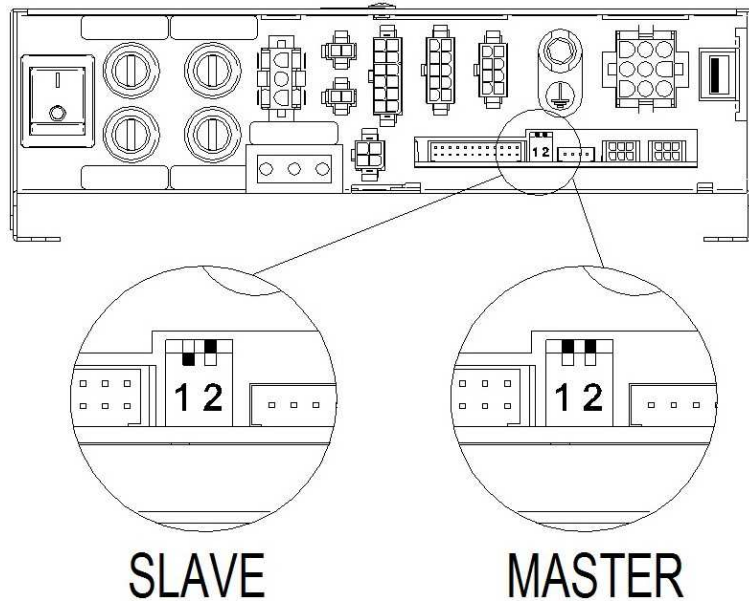
9.2.3 PROGRAMACIÓN PARAMETROS MAQUINA**Mando 49 Habilitación/Inhibición de las espirales slave:**

Este comando habilita la conexión master/slave. Es posible conectar una máquina snack slave. Tras haber habilitado el slave presente, hay que programar el **Mando 40**.

Para que funcione una Stand-Along come Slave:

- apagar la máquina con el interruptor general y desconectar la clavija.
- Desconectar el conector de la toma JP11A de la tarjeta principal

- Realizar la conexión Master/Slave con el cable de serie, introduciendo los conectores en las tomas ubicadas en la parte trasera.
- Inaugurar la máquina interviniendo en el dip-switch presente en el cuadro eléctrico, posicionando su muesca en la respectiva posición, como se indica en la figura de al lado. Para acceder al cuadro eléctrico, véase el apartado: ACCESO AL CUADRO ELÉCTRICO Y AL GRUPO REFRIGERANTE.



Mando 50 Configuración de la máquina (número de selecciones/cajones con empujadores/tiempo límite de accionamiento)

El mando permite memorizar el número de selecciones (motorreductores) presentes en la máquina. En consecuencia, en cada encendido, se realiza una comparación entre la configuración memorizada y la configuración detectada, indicando en el display las eventuales discrepancias. El mando de configuración se debe realizar en cada modificación de la máquina que prevea el agregado o la eliminación de motorreductores.

El paso siguiente permite configurar los cajones con empujadores. Es suficiente introducir el número del cajón 1÷7, comenzando por arriba, y regular el parámetro en 1. (ATENCIÓN: El parámetro se debe poner en cero si el cajón con empujadores es reemplazado con un cajón de espirales).

Para los cajones con empujadores, se solicita también la introducción para cada selección del espesor del producto (en milímetros). Se trata de un dispositivo de seguridad en caso de avería de las fotocélulas de caída de producto, que se traduce en un tiempo límite de accionamiento del motorreductor (la selección 99 permite la regulación simultánea del tiempo límite para todas las selecciones).

Mando 55 Multifunción de habilitación displays de precios:

(si presente)

	Para programar SOLO la siguiente opción, se debe presionar el "Botón de Programación" dos veces consecutivas, acompañadas con los sonidos del zumbador. Así se accederá al segundo nivel de menú. El display muestra "Mando 00". Para salir del modo programación pulsar la tecla "ESC".
--	---

NOTA: Si el **mando 55** está programado en el primer nivel de menú, estarán disponibles los pasos uno, dos, y siete.

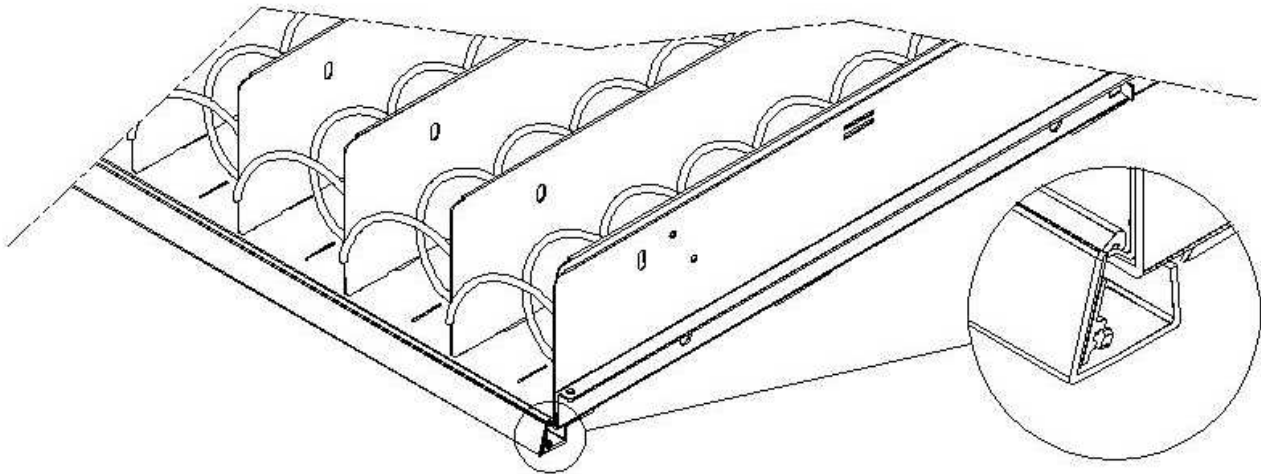
Normalmente, la programación del segundo nivel se realiza durante la instalación del kit, cada vez que se sustituye una o más barras display de precios, o si se modifica la configuración del cajón.

Para modificar los precios, siga las indicaciones descritas en el manual de uso y mantenimiento. Cada vez que se modifican los precios, estos se actualizan automáticamente en el display al cerrar la puerta.

Paso uno: el sistema solicita la habilitación de la función: 1 = habilitado; valor 0= no habilitado. Si la conexión entre los displays de precios y la tarjeta de control de los displays no está interrumpida, el display de la puerta visualiza la suma de control y la versión software de la tarjeta; para continuar la regulación de los otros pasos, pulse el botón ENTER.

Paso dos: el sistema pregunta en qué cajones está instalado la barra display de precios. Se debe confirmar la presencia para cada cajón (1 = presente; 0 = no presente). El cajón 1 es el primero en la parte superior. La solicitud comprende todas las configuraciones hasta un máximo de 7 cajones.

Paso tres: en la pantalla de la puerta se visualiza la solicitud, para cada cajón, de atribuir la correspondiente asignación de la dirección a cada barra de la pantalla de precios.



Pulse el botón presente en la barra de la pantalla de precios situado en el costado derecho (véase la figura). Para cada asignación se oye un tono del zumbador, que corresponde a la asignación realizada.

Paso cuatro: el sistema pregunta si desea modificar la configuración del distribuidor (por ejemplo, de espiral individual a espiral doble). Pulse ESC si desea dejar invariada la configuración; pulse ENTER si la desea modificar.

Paso cinco: regule el número de selecciones presentes en el distribuidor (número de motores).

Paso seis: el sistema visualiza en las barras display la configuración detectada. Si esta configuración es correcta, pulse ESC; en caso contrario, pulsando ENTER En este caso, el sistema permite la configuración manual de cada cajón: introduzca el número de cajón, seleccione el tipo de cajón con el botón 1 (“estándar”, “sándwich” o “custom”), según la configuración mecánica del mismo, y pulse ENTER para memorizar la selección. El resultado aparece inmediatamente en la barra de la pantalla correspondiente: si la configuración es correcta, el texto para cada selección debe estar centrado con respecto a los tabiques que la delimitan. Si elige el cajón “custom”, para cada selección del cajón se debe introducir el número de caracteres correspondiente en la barra de la pantalla (también en este caso, el resultado se visualiza progresivamente en la barra de la pantalla). Una vez terminada la configuración de los cajones, pulse ESC para pasar al paso siguiente.

Paso siete: el sistema solicita visualizar en la barra display de precios el precio introducido de la selección. Pulse ENTER para ejecutar la función

Mando 56 Regulación parámetro retroiluminación:

Para cada barra display de precios se establece el valor de retroiluminación en modo stand-by: valor 3, luminosidad máxima; valor 2, luminosidad 75 %; valor 1, luminosidad 50 %; valor 0, luminosidad 25 %.

Contraste de las barras display de precios. Valor de 1 a 16; por defecto: 9. Para aumentar o reducir el contraste, pulse respectivamente los botones 1 y 2 del teclado.

A continuación se configura la visualización de la “descripción del producto” en las barras display al abrir la puerta; con el parámetro regulado en 1, cuando se abre la puerta principal, en correspondencia con cada selección, se visualiza el texto descriptivo programado antes (la programación se realiza con la herramienta “VMC-configurator live”).

Se configura por tanto la opción de visualización de los mensajes promocionales. Estos últimos son cadenas de texto que se visualizan en la barra de la pantalla en relación con cada producto alternándose con el precio del mismo.

Para ingresar las 20 cadenas de texto con los mensajes promocionales en la máquina consulte el mando 80 en la opción “Clonación Máquina” puntos 3 y 4.

Si la opción mensajes promocionales está activada, se accede a la función que permite asociar a cada selección uno de los 20 mensajes promocionales anteriormente almacenados en la máquina. (N.B. para borrar un mensaje de una selección basta con asociar a la selección una cadena de espacios por lo que una de las 20 cadenas deberá ser un texto compuesto solamente por espacios).

Una vez completada la asociación de los textos a las selecciones, se podrá configurar el modo de visualización de los mensajes promocionales: existen 4 opciones, a saber: ON MODE (siempre encendidos), OFF MODE (siempre apagados), BACKLIGHT BLINKING MODE (retroiluminación intermitente); haga deslizar las opciones con una tecla numérica cualquiera y confirme la selección con la tecla “B”.

De igual modo se puede configurar el modo de visualización para las pantallas que no contienen mensajes promocionales.

El siguiente parámetro requerido es el tiempo en segundos de visualización de los mensajes promocionales. El último parámetro es el tiempo de inhibición de los mensajes promocionales, es decir, el tiempo de visualización del precio del producto.


Comando 58 Activación modo confirmación selección o preselección:

Se puede activar la función "solicitud confirmación selección": en dicho caso, para cada selección efectuada, se aguarda la confirmación mediante la tecla "B" antes de realizar la transacción y el suministro. A continuación se solicita el tiempo de espera del botón de confirmación antes de anular la selección realizada. Como alternativa a la función anterior, se puede activar la función "preselección" y el correspondiente tiempo de espera. En dicho caso, tras haber efectuado la selección, la máquina aguarda el pago, durante el timeout configurado, para efectuar la venta.

Mando 59 Contador de aperturas:

Si el mando está puesto en 1, cada vez que se abra la puerta se visualizará el contador de aperturas.

Mando 60 Borrar memoria:

	La activación de este mando provoca que todos los datos programados por el utilizador se borren y que automáticamente se restablezcan los parámetros de default establecidos por el fabricante.
---	--

En respuesta a este mando el display visualiza **Code 0000**. Digitando la cifra 6203 y después la tecla ENTER se cancelan todos los datos de la memoria del distribuidor. El procedimiento de cancelación de la memoria es el siguiente:

- Modo de programación, el display visualiza.....Mando 0
- Escribir con el teclado 60 y pulsar ENTER, el display visualiza Code 0000
- Escribir con el teclado 6203 y pulsar ENTER, el display visualiza.....memory cleared

Nota: Para salir del mando hay que pulsar sólo una vez el botón de la tarjeta VMC.

Nota. Antes de la cancelación, se "memorizan" los contadores correspondientes a los flujos de caja y a las ventas por selección, que pueden ser recuperados posteriormente con el mando 60, introduciendo el código 7531.

Mando 61 puesta a cero security/access code:

permite poner a cero el código de acceso utilizado en el protocolo EVA_DTS.

Mando 62 habilitación descuento:

Es posible aplicar los tipos de descuento siguientes según el valor configurado en este parámetro:

0 = ningún tipo de descuento.

1 = descuento por franjas horarias.

2 = descuento por compras con llave /tarjeta de crédito (posible sólo con modalidad MDB).

3 = descuento por franjas horarias y para compras con llave/tarjeta de crédito (sólo con modalidad MDB).

Nota. Para poder aplicar el descuento, se deben configurar los valores de las franjas horarias deseadas en el temporizador diario 2.

Si el sistema es cashless, permite aplicar diferentes tables de precios. La Selección de la tabla a aplicar al momento de la venta se da automáticamente a través del protocolo de comunicación entre la máquina y el lector (posible sólo para los sistemas cashless MDB que prevén dicha opción).

Mando 63 configuración mono/multiventa:

Si el mando es 0, valor de default, el distribuidor trabaja con monoventa, y con el funcionamiento con contante el crédito excedente al precio se devuelve. De no ser esto posible, dicho importe incrementa el total cobrado como sobrepago. Viceversa, si el mando está en 1 la máquina funciona en multiventa, se vuelve a visualizar el importe excedente el precio después de la venta y se puede recuperar pulsando el botón de 'cambio' o se volverá a utilizar para otra Selección .

Seguidamente se solicita la opción de mantener el crédito en exceso (overpay) a disposición del usuario por un tiempo indefinido. 1= función habilitada, 0 = función deshabilitada.

Mando 64 Programación lengua visualización mensajes:

Con este mando se modifica la lengua en la cual se visualizan los mensajes sobre el display. El valor **0** corresponde a la lengua italiana, **1** al inglés, **2** al francés, **3** al alemán, **4** al holandés, **5** al sueco, **6** al finlandés, **7** al español, **8** al Portugués, **9** al Danés, **10** al Noruego.

A continuación se muestra la opción para habilitar la visualización de la lista de ingredientes del producto; seleccionando 1, la opción está habilitada. Para utilizar esta opción, proceda en la forma siguiente:

- Asocie a cada producto un código de identificación de 8 caracteres.
- Este código puede ser programado para cada selección con el mando 6 (o con VMC-configurator).
- La lista de ingredientes de cada producto está contenida en un archivo de imagen memorizado en una memoria USB, insertada en el conector correspondiente de la tarjeta VMC. El nombre del archivo de imagen corresponde al código del producto con la extensión .jpg. (Por ejemplo, si un producto ha sido identificado con el código 00881133, el archivo de imagen será 00881133.jpg).
- Introduciendo una selección, se visualiza el archivo de imagen correspondiente al código de producto asociado a dicha selección.

Nota. La imagen debe tener un tamaño de 480 x 272 píxeles y estar en formato .jpg (profundidad de color: 24 bits). Puede ser generada fácilmente con Paint.

En la memoria USB se pueden memorizar las imágenes de todos los productos distribuidos (no solo de los presentes en la máquina en ese momento); de esta forma, cuando se sustituye un producto, es suficiente modificar el código asociado a la selección con el mando 6.

Mandos 66-67: Visualización temperaturas internas y temperaturas evaporador:

En función del valor programado en estos mandos, se determinan las informaciones que aparecen en la segunda línea del visualizador (véase tabla). Por defecto aparece el reloj.

Mando 66	Mando 67	Valor visualizado
0	0	Se visualiza el reloj
1	0	Se visualiza la temperatura interna *
0	1	Se visualiza la temperatura interna + la temperatura evaporador
1	1	Se visualiza el reloj + la temperatura interna

* Con el mando 66 se visualiza la temperatura interna de las máquina SLAVE conectada, de haberlas. En dicho caso la temperatura del master se indica con TM y la de los slave con TA.

Además y sólo durante la fase de programación, con el Mando 67 se visualiza tanto la temperatura interior como la temperatura del evaporador de las máquinas SLAVE que estuvieran conectadas.

Mando 68 Configuración de la descripción divisa visualizada:

El mando permite insertar la divisa deseada. Hay disponibles 4 caracteres y los datos se introducen del mismo modo previsto para el **Mando 95**.

Mando 69 Elección modo funcionamiento caja recaudadora:

Con este mando se elige el tipo y la modalidad de funcionamiento de la caja recaudadora. El parámetro puede asumir los siguientes valores:

- EXECUTIVE, con precios controlados en la máquina (véase el párrafo correspondiente).
- EXECUTIVE PRICE HOLDING (es decir, con precios programados en la caja recaudadora). En este caso los, precios programados con el mando 03 deben ser iguales a los programados en la caja recaudadora (véase el párrafo correspondiente). En alternativa, se puede configurar el parámetro "Price-Display". De estar habilitado, el distribuidor utilizará solamente las informaciones sobre el valor de los precios procedentes del sistema de pago; o sea, no será necesario rellenar las tablas de precios (Comandos 03 y 04). Bastará programar sólo el Comando 05 (véase el párrafo correspondiente).
- BDV 001 (véase el párrafo dedicado al uso de la caja recaudadora BDV).
- MDB (véase el párrafo dedicado al uso del sistema de pago MDB).

Mando 70 Opción funcionamiento con alarma sonora:

Si se programa este mando a cero, se excluye el funcionamiento del avisador acústico durante el funcionamiento de la máquina.

Mando 73 Habilidad fotocélulas:

Este mando debe programarse a 1 sólo si hay instalado el sistema de fotocélulas, su función es la de habilitar=1/excluir=0 este dispositivo. Nota: dicha configuración es válida para las dos máquinas (MASTER y SLAVE).

Si el mando está programado a 1, (fotocélulas habilitadas), se entra automáticamente en el menú que permite la eventual Inhibición de esta función para las selecciones deseadas (suministro sin control de las fotocélulas). Para excluir la opción correspondiente a una o varias selecciones hay que introducir por el teclado el número de la selección y luego programar el valor a cero.

Nota: con conexión ESPIRALES SLAVE Habilitado (ver mando 49), después de haber configurado la máquina MASTER, se accede a la configuración de los mismos parámetros de la máquina SLAVE

Mando 74 Prueba fotocélulas:

Este mando se utiliza para comprobar el correcto funcionamiento de las fotocélulas. Una vez elegido el tipo de prueba a realizar, se activa automáticamente un procedimiento de prueba, al final del cual se visualiza el resultado en la pantalla. Si el funcionamiento no es correcto, en pantalla aparece un segundo valor que se refiere a la anomalía detectada. Para el significado de este segundo valor, consúltese la tabla del mando 99.

Mando 75 Configuración parámetros de funcionamiento de la barrera fotocélulas:

Con este mando se visualiza y modifica, de ser necesario, el parámetro de funcionamiento de la barrera fotocélulas. Este valor es unívoco para la máquina MASTER y eventuales SLAVES conectadas.

Mensaje	Valor por defecto	Significado
"Hyster.HL"	6	Este parámetro actúa en la sensibilidad de lectura del sistema. Cuanto más bajo es el valor configurado, más alta es la sensibilidad del sistema. El valor puede variar de mínimo 5 a máx 30.

Mando 76 Opciones de funcionamiento del sistema (“opciones FTC”):

La programación de este mando determina el comportamiento de la máquina cuando no se suministra el producto. El valor que puede programarse va de 0 a 3. Por defecto = 0.

El significado de esta programación es la siguiente:

0 = Posibilidad de efectuar otra selección, en este caso el mando 63 (mono-multiventa) tiene que estar programado a 1 (si el sistema de pago es del tipo "executive" debe programarse la multiventa también en el sistema de pago).

1 = Devolución automática del crédito, en este caso el mando 63 tiene que estar programado a 0 (si el sistema de pago es del tipo "executive" debe programarse la monoventa también en el sistema de pago).

2 = Otro cuarto de giro: si no se entrega el producto, la espiral efectuará otro 1/4 de vuelta y si sigue sin distribuirse producto, se vuelve a una de las dos precedentes opciones según la programación del parámetro mono o multiventa.

- *Para ello, una vez establecido el valor 2 en el comando 76, la opción se deshabilita por defecto en todas las selecciones. Se entra automáticamente en el menú de habilitación de la opción para cada espiral. Para habilitar la opción de una espiral, basta insertar el número de selección y poner el valor en 1. Viceversa, poniendo en 0 dicho valor, la opción queda deshabilitada. La opción no se aplica a las espirales de 1/2 giro. Si el sistema de pago se realiza con protocolo Executive, la mono-multiventa se programará también en el sistema de pago.*
- *En alternativa, se puede habilitar / deshabilitar la función por cada cajón: la selección 91 implica che todas las selecciones del primer cajón superior sean por ejemplo, habilitadas con la función de cuarto de vuelta. Selección 92 = 2° cajón; 93 = 3° cajón; 94 = 4° cajón; 95 = 5° cajón; 96 = 6° cajón; 97 = 7° cajón; al programar la función con la selección 99, todas las selecciones del distribuidor serán habilitadas o deshabilitadas.*

3 = Multistep (rotaciones parciales múltiples): si no se produce la distribución del producto, la espiral realiza 1/8 de vuelta adicional, que repetirá 4 veces si el producto se distribuye; en el quinto intento, la espiral completa la vuelta y se verifica la distribución o la no distribución del producto, volviendo a una de las opciones 1 o 2 (según la configuración del parámetro monoventa o multiventa).

También en este caso, la función se debe habilitar para cada selección, para el cajón o para todos los productos (véase el punto 2).

A continuación, el sistema permite regular la opción “vacío” que, cuando está habilitada (valor regulado en 1), excluye la selección en caso de no distribución del producto hasta la siguiente apertura de la puerta principal.

Luego, el sistema pide insertar las opciones relativas a la SEGURIDAD DE LAS FOTOCÉLULAS:

La habilitación de esta función (programación del parámetro = 1) prevé insertar un número de productos en una ventana temporal (en minutos). De verificarse en el intervalo de tiempo programado un número de no lecturas igual al número de productos programados, se deshabilitan las fotocélulas. Se señala en el display el evento activo al momento de la apertura de la puerta, y además se registra en el Comando 99 con código de error 39. Es posible programar la reanudación de la actividad de las fotocélulas manual o automáticamente. Si se hace de forma manual, la programación del parámetro = 0, hay que entrar en la función TEST VEND para rehabilitar la funcionalidad de las fotocélulas; si la forma es automática, la programación del parámetro = 1; al cabo de 15 minutos el sistema realiza un intento de reanudación de la función.

Nota: con conexión ESPIRALES SLAVE Habilitado (ver mando 49), después de haber configurado la máquina MASTER, se accede a la configuración de los mismos parámetros de la máquina SLAVE

Mando 80 Usb menu'

Accediendo al mando 80 la máquina propone un menú de selección múltiple con las siguientes opciones:

1. **Clonación máquina**
2. **Auditoría en memoria USB**
3. **Actualización software**

Para acceder a la función deseada, ingrese el número correspondiente en el teclado de selección después de haber insertado la memoria USB en el oportuno conector de la tarjeta madre.

Clonación máquina

A continuación, el usuario tendrá a su disposición cuatro opciones

1. - Guardar los datos de configuración en la memoria USB.

Esta función permite transferir todos los parámetros de programación en una memoria USB. Si aún no ha sido programado, se solicitará el "código de configuración" (véase nota), una vez que haya introducido y confirmado el código, tendrá dos opciones:

B. Comenzar a escribir el archivo de clonación en la memoria USB (el nombre de la misma aparecerá en la pantalla).

1. Modificar el código de configuración.

Pulsando B, comenzará la escritura del archivo en la memoria con la respectiva barra de progreso de la operación. Espere a que aparezca el mensaje "escritura completada" antes de quitar la memoria.

Si por ejemplo se programa el código de configuración 00000123, el nombre del archivo generado en la memoria USB será: "YOUNG_00000123.DAT". Si en la memoria USB hubiese un archivo con el mismo nombre, antes de la escritura del nuevo archivo, el nombre del mismo será cambiado agregándole un número progresivo.

Nota. Si desean exportar los datos de configuración completos en la memoria, primero se deberá realizar la clonación tras haber entrado en el segundo nivel de programación (clonación extensa).

2. Lectura de los datos de la memoria - Lectura de los datos de configuración de la memoria USB:

Esta función permite leer los datos de configuración presentes en la memoria USB. Si aún no ha sido programado, se solicitará el "código de configuración" (véase nota), una vez que haya introducido y confirmado el código, tendrá dos opciones:

B. Lectura de los archivos de la memoria USB (el nombre de la misma aparecerá en la pantalla).

1. Modificar el código de configuración.

Pulsando B, comenzará la lectura del archivo de la memoria con la respectiva barra de progreso de la operación. Espere a que aparezca el mensaje "lectura completa" antes de quitar la memoria.

Si por ejemplo se programa el código de configuración 00000123, el nombre del archivo buscado y leído en la memoria USB será: "YOUNG_00000123.DAT". Por tanto, en la misma memoria USB puede haber varios archivos de programación para máquinas del mismo modelo pero configuradas de diferentes formas, contraseñadas por el propio "código de configuración".

3. Copiar cadenas mensajes promocionales en memoria USB:

Esta función copia en una memoria USB los 20 mensajes promocionales actualmente configurados en la máquina. El archivo que se obtiene se llama "PromoMessages.txt". Empleando un ordenador, a través de un editor de texto (ej. notepad) se pueden modificar los textos y luego volcarlos nuevamente en la máquina mediante la opción siguiente.

4. Lectura cadenas mensajes promocionales de memoria USB:

Esta función ejecuta la operación inversa a la del punto anterior copiando el contenido (las cadenas de texto modificadas) del archivo "PromoMessages.txt" almacenado en la memoria USB en la máquina.

Nota: La programación de la mayor parte de los parámetros de la máquina (aquellos relativos a cada selección de precios, líneas de precios, códigos de productos, etc.) depende de la configuración mecánica (esquema) de la máquina. Al respecto, hemos introducido el "código de configuración" que es un código de 8 dígitos que identifica, de forma unívoca, a cada máquina o grupos de máquinas con la misma configuración. El código de configuración junto con el nombre del modelo de la máquina formará el nombre del archivo en el que se memorizarán los parámetros de programación de la máquina, tanto en salida (clonación) como en entrada (lectura de los datos de la memoria). La máquina solicita el "código de configuración" la primera vez que se realiza una operación de clonación o lectura de los datos de la memoria y permanece invariado hasta que el operador no lo modifica expresamente.

Para cada máquina nueva (o bien para cada nueva configuración) es aconsejable proceder de la siguiente forma:

1. modificar la configuración mecánica según sus necesidades
2. ejecutar el mando 50 para almacenar la configuración de las selecciones
3. realizar una clonación extensa (segundo nivel de programación) programando a su vez el "código de configuración".
4. Importar el archivo obtenido de esta forma en el VMC Configurator live.
5. efectuar todos los cambios/ajustes a los parámetros de la máquina deseados y guardar el archivo.
6. Exportar el archivo en la memoria USB
7. Programar nuevamente la máquina con la memoria USB.
8. Todas las sucesivas modificaciones de los parámetros de la máquina deberían efectuarse desde el Configurador o bien, cuando llevadas a cabo en el lugar, se deberían volcar en él.

Si las máquinas se administran en grupos con la misma configuración, entonces para cada nueva máquina perteneciente a un grupo del cual ya se ha almacenado la programación, sólo tendrá que seguir el punto 7.

Auditoría en memoria - Extracción de los datos de venta:

Esta función permite transferir los archivos de datos EVA-DTS a una "memoria USB". Pulsando B, comenzará la escritura del archivo en la memoria con la respectiva barra de progreso de la operación. Espere a que aparezca el mensaje "escritura completada" antes de quitar la memoria.

El archivo generado en la memoria USB lleva el nombre: "AUDIT_YOUNG_140919153228.DAT" (los números siguen el orden año/mes/día/hora/minutos/segundos correspondientes al reloj de la máquina).

Actualización del software - Actualización del firmware tarjetas

Seleccionando la opción actualización software se accede al correspondiente submenú de selección múltiple:

1. **Actualizar VMC actual**
2. **Cargar nuevo modelo VMC**
3. **Actualizar Tarjeta Power (válido también para el slave)**
4. **Actualizar pantalla**

Antes de acceder al mando, introduzca la memoria en el puerto USB de la tarjeta que desea actualizar.

1. Carga el software actualizado inherente al mismo modelo de máquina (por ej.: YOUNG con YOUNG, Winning con Winning). Una vez terminada la operación, la máquina se reiniciará. **ATENCIÓN** en la memoria puede haber varios archivos de programación pero relativos a diferentes modelos de máquina. No puede haber más de un archivo relativo al mismo modelo de máquina.
2. Carga el software inherente a un modelo de máquina diferente (por ej.: YOUNG en Winning o viceversa). **ATENCIÓN** la memoria USB sólo debe contener el archivo que se debe cargar.
3. Antes de marcar 3, extraiga la bolsa de recuperación e introduzca la memoria USB en el puerto situado en el frente del panel eléctrico. Una vez terminada la operación, la máquina se reiniciará.
4. En dicho caso la memoria debe estar introducida en el correspondiente puerto de la tarjeta Madre.

Mando 85 Visualización checksum y versión software de la tarjeta main y power.

Mando 88 Habilitación calentamiento productos en MÓDULO WAVE (si presente):

Este mando habilita el funcionamiento de la columna de hornos de microondas. Valor 1 = habilitado; valor 0= no habilitado.

Si la función está habilitada, el sistema solicita programar el tiempo de calentamiento, en segundos, para los productos presentes en cada selección de la máquina maestra (YOUNG), valores que pueden configurarse de 0 a 180 seg.

Los tiempos de calentamiento están calibrados para el uso a la máxima potencia.

Mando 90 Selección protocolo de AUDIT/habilitación telemetría:

La tarjeta de control dispone de una toma RS232. El conector de I/O es un conector de 9 polos macho en los que se utilizan los siguientes pines:

- Pin 2 VMC Tx - Pin 3 VMC Rx - Pin 5 Ground -Pin 7 CTS

Haciendo avanzar el menú con el empleo de cualquier tecla excepto A y B, se puede seleccionar PRINTER: la máquina controla una impresora genérica de tiques serial conectada a la toma RS232. La transmisión en este caso se realiza a 9600 baudios 8 bits de datos sin paridad y con 1 bit de parada. El cable de conexión emplea los pines 2, 5 y 7.

Si la impresora está en línea, pulsando la tecla para el acceso a la programación situado fuera la caja para fichas, se obtiene la impresión de los datos de venta.

Seleccionando desde el menú EVA-DTS DDCMP, la máquina dialoga con el mundo exterior a través de la interfaz de infrarrojos 082925 (interfaz IRDA) o bien a través de la conexión física con el conector DB de 9 polos, según las especificaciones del protocolo EVA-DTS vers.6.0.

La máquina propone la elección del tipo de conexión: interfaz de infrarrojos (OUTPUT OPTICAL LINK) o bien por cable con el conector DB de 9 polos situado en la tarjeta (OUTPUT RS232), en este último caso los pines del conector empleados son 2 = VMC Tx, 3=VMC Rx, 5= GROUND

La máquina solicita la introducción de la dirección de la periférica: ingresar el valor deseado (1 para conexión punto-punto) y presionar "ENTER".

Llegados a este punto se propone la selección de la velocidad de transmisión que deberá ser coherente con la programación de la tarjeta 082925 para la conexión mediante infrarrojos (véase relativas instrucciones). El rango programable es de 2400÷115200 baudios, o bien negociable entre la máquina y el terminal (opción válida por cable). La selección se realiza desplazándose por las varias opciones de velocidad con cualquier botón de la caja de pulsadores y confirmado con el botón "ENTER" el valor deseado.

A continuación se programa la opción "activación telemetría". Valor 1 = función activada; valor 0 = función no activada. Valor por defecto = 0. ATENCIÓN: la opción se puede activar solamente si el dispositivo de telemetría soporta el envío de eventos por parte de la máquina (en este caso la máquina actúa como máster e inicia la sesión DDCMP).

Se puede por tanto activar (valor configurado en 1) la función "erase interim data", es decir, la eliminación de los contadores que se pueden poner a cero tras su lectura y luego se puede activar la eliminación inmediata de los interim data o bien dejar que se pongan a cero después de la primera operación de compra efectuada en la máquina.

Si el mando está configurado en DEX UCS, la máquina dialoga con el mundo exterior con el protocolo DEX-UCS.

Mando 91 Inserción de los datos de identificación de la máquina:

El primer dato que se debe introducir es el número de serie de la máquina (solo la parte numérica), constituido por un código de 8 cifras.

El segundo dato requerido, en formato alfanumérico con un máx. de 30 caracteres, es la ubicación de la máquina; para conocer el modo de introducción de la descripción, consulte la tabla del mando 95. El tercer dato requerido es el código numérico de identificación de la máquina (asset number).

Todos estos datos son reproducidos en los archivos de control para la identificación de la máquina.

Mando 92 Puesta a cero de los datos de venta:

el mando permite poner a cero los datos de venta de la máquina, (ver mando 10). La operación está subordinada a la inserción de un código de acceso especial. El procedimiento es el siguiente:

- Modo de programación, el display visualiza.....Mando 0
- Escribir con el teclado 92 y pulsar ENTER, el display visualiza..... Code 0000
- Escribir con el teclado 1221 y pulsar ENTER, el display visualiza..... '¿PONGO A CERO LOS DATOS?'

pulsando la tecla ENTER se pondrán a cero todos los datos de venta mientras que al pulsar ESC se volverá al menú principal sin alterar los datos.

Mando 95 Inserción mensaje

No pueden activarse varias funciones al mismo tiempo.

1. El cuadro de mensaje que se alterna con los mensajes normales del display cada 8 segundos está compuesto por un título (máx. 28 caracteres) y por el cuerpo del texto (máx. 80 caracteres). La introducción de los textos se realiza introduciendo el código de carácter correspondiente (véase la tabla) o con el configurador.
2. La presentación de diapositivas internas consiste en una serie de imágenes preestablecidas, que se visualizan cuando la máquina está en stand-by
3. La presentación de diapositivas USB consiste en la visualización de imágenes memorizadas por el usuario en una memoria USB, cuando la máquina está en stand-by. Las imágenes deben estar en formato jpg, con una resolución máxima de 480 x 272 puntos y profundidad de color 24 bits

Si está habilitado, para el cuadro de mensajes se programan, en orden, el título y el cuerpo del mensaje; En la segunda línea del display se visualiza el mensaje "**Carácter 00**", mientras que en la tercera línea, se visualiza el texto actual. Al escribir con el teclado los códigos de los caracteres que se desean insertar (ver tabla siguiente) y confirmando cada vez con la tecla ENTER se compone el mensaje deseado. Al final, con la tecla ESC se regresa al menú principal.

CÓDIGO	CARÁCTER	CÓDIGO	CARÁCTER	CÓDIGO	CARÁCTER
00	avance cursor	28	E	56	g
01	cursor atrás	29	F	57	h
02	espacio	30	G	58	i
03	!	31	H	59	j
04	"	32	Ñ	60	k
05	#	33	J	61	l
06	\$	34	K	62	m
07	'	35	A	63	n
08	,	36	M	64	o
09	-	37	L	65	p
10	.	38	O	66	q
11	/	39	P	67	r
12	0	40	Q	68	s
13	1	41	R	69	t
14	2	42	S	70	u
15	3	43	S	71	v
16	4	44	U	72	w
17	5	45	V	73	x
18	6	46	W	74	y
19	7	47	X	75	z
20	8	48	Y	76	â
21	9	49	Z	77	ø
22	:	50	a	78	æ
23	;	51	b	79	ä
24	O	52	c	80	ö
25	B	53	d	81	ü
26	C	54	e	82	°
27	D	55	f		

El carácter con código 00 hace avanzar el cursor una posición .

¡CUIDADO! Si el cursor se encuentra antes del primer carácter del mensaje y se pulsa la tecla ESC, para volver al menú principal, el mensaje se corta en la posición correspondiente al cursor; , por lo que antes de salir poner el cursor al final del mensaje.

se aconseja componer el mensaje en una hoja de papel usando los códigos de la tabla (se incluyen los espacios) y luego se programa en la máquina.

Mando 99 Menú visualización eventos:

El usuario tiene a disposición las siguientes opciones:

1. **Eventos de error**
2. **Apagados/encendidos**
3. **Registros temperaturas**
4. **Recuperación del archivo de Log.**

1. Eventos de error

Permite visualizar los últimos 20 eventos de error que se hayan verificado; para pasar de una visualización a la siguiente, pulsar la tecla ENTER. Al finalizar la visualización, el sistema solicita la confirmación de la puesta en cero de todos los datos. Pulsar ENTER para confirmar o ESC para dejar los registros inalterados.

CÓDIGO ERROR	SUB-CÓDIGO	MOTIVO ALARMA
01	Nr. de código selección	Motor bloqueado (la espiral no gira)
02	Nr. de código selección	La espiral no completa el giro
05	Nr. de código selección	Motor desconectado
09	Nr. de código selección	Probable defecto del microinterruptor o en el cableado del motor espiral
10	(*) 38 - 39	Sonda de temperatura interior averiada
11	(*) 38 - 39	Sonda evaporador averiada
16	(*) 33 - 38 - 39	comunicación del error con el periférico (tarjeta del panel eléctrico)
17	(*) 38 - 39	Interrupción comunicaciones durante el ciclo de venta sin cobro del importe
18	(*) 38 - 39	Interrupción comunicaciones ciclo de venta con cobro del importe
30	(*) 38 - 39	Actuación de seguridad refrigeración
31	(*) 38 - 39	Error test fotocélulas.
32÷38	(*) 38 - 39	Error calibrado fotocélulas
39	(*) 38 - 39	seguridad de las fotocélulas
51	(*) 38 - 39	Interrupción de la conexión periférica al empezar el ciclo de venta.
55	/	Sistema de pago fuera de servicio.
61	Nr. de código selección	Motor bloqueado (la espiral no gira) SLAVE A
62	Nr. de código selección	La espiral no completa el giro SLAVE A
65	Nr. de código selección	Motor desconectado SLAVE A
69	Nr. de código selección	Probable defecto del microinterruptor o en el cableado del motor espiral SLAVE A
91	Nr. de código selección	Fallida reactivación de las selecciones.
93	/	Actuación de seguridad refrigeración

(*) Leyenda:

33 = Fotocélula

38 = Espirales Master

39 = Espirales Slave

2. Apagados/encendidos:

se visualizan los últimos 10 períodos en los que la máquina ha permanecido apagada. En el display se visualizan los siguientes valores:

POWER OFF	FECHA	HORA
POWER ON	FECHA	HORA

Para pasar de una visualización a otra, oprimir la tecla ENTER.

Nota: Para obtener valores atendibles, el reloj tiene que estar programado.

3. Registros temperaturas:

se visualiza la evolución de la temperatura interior durante las últimas 24 horas. Los valores se registran cada 15 minutos. Para visualizar todos los valores basta con pulsar la tecla "B".

Para efectuar el registro se debe programar el reloj (véase Mando 02). Tras haber programado el reloj, todos los datos se ponen a cero automáticamente.

4. Recuperación del archivo de Log.

Permite almacenar en una memoria USB un archivo de texto que contiene todos los registros efectuados por la máquina: set-up parámetros grupo refrigerante, temperaturas, ciclos de descongelación, apagados/encendidos; eventos de error. Archivo almacenado en la memoria "PrintYOUNG_codice_configurazione_dataora".

9.3 UTILIZACIÓN CAJA PARA FICHAS BDV



La conexión y la desconexión de la caja recaudadora se llevarán a cabo con la máquina apagada.

Después de la conexión, encender la máquina, entrar en la programación y programar el **mando 69 en 4** y apagar la máquina por algunos segundos. Al encender nuevamente la máquina, ésta y la caja recaudadora comunicarán de manera correcta.

Mando 30	Obligación de compra antes del vuelto	(def. 0)
Mando 31	Crédito máximo	(def. 0)
Mando 32	Valor máximo monedas vueltas	(def. 0)
Mando 33	Inhibición monedas simples	(todas habil.)
Mando 34	Inhibición monedas vuelto pequeño	(todas habil.)
Mando 35	Niv. monedas mens. Importe exacto	(def. 0)
Mando 36	Ecuación importe exacto	(def. 0)
Mando 37	Habilitación lector de tarjeta	(def. 0)
Mando 38	Vaciado tubos de restitución-vuelto.	
Mando 39	llenado tubos de devolución de cambio.	

Mando 30 Obligación de compra antes del vuelto:

Programando este mando a 1, el cliente está obligado en la compra antes de obtener el vuelto, esto para evitar que la caja para fichas sea usada como cambiamonedas. El resto es erogado si la venta quebrase.

Mando 31 Crédito máximo:

Programar el crédito máximo aceptado por la caja para fichas. Superando este valor, la aceptación de ulteriores monedas está bloqueada.

Mando 32 Valor máximo monedas vueltas:

Esta función está activa solo en venta múltiple. Si el valor del crédito que queda después de una venta está superior que el valor programado por el mando, la erogación del vuelto está bloqueada. Por eso se deberán efectuar ulteriores compras hasta que el crédito que queda sea inferior al valor programado, seguidamente, accionando la palanca de reembolso se obtendrá la vuelta.

Mando 33 Inhibición monedas simples:

Con este mando se bloquea la aceptación de monedas particulares por la caja para fichas. Por ejemplo si se quiere bloquear la aceptación de la moneda 5, proceder de la siguiente manera:

1. Modo programación, en el visualizador apareceMando 00
2. Digitalizar 33 y apretar ENTER, display visualiza.....Moneda N° 00
3. Digitalizar 5 y apretar ENTER, display visualiza.....0
4. Digitalizar 1 y apretar ENTER.

Mando 34 Inhibición monedas en condiciones de importe exacto:

Este mando se utiliza para bloquear la aceptación de determinadas monedas en condiciones de cambio chico, es decir, cuando en el display se visualiza el mensaje "Ingresar solo importe exacto".

Mando 35 Nivel monedas mensaje importe exacto:

Se puede programar un valor de 0 a 15, que representa el número de monedas que deben añadirse al nivel mínimo predefinido de contenido de los tubos, para que se abandone la condición de "importe exacto".

Mando 36 Ecuación importe exacto:

Indica la combinación de los espacios vacíos en los tubos para que el mensaje importe exacto sea activado. Sigue una lista de combinaciones posibles:

0 = A o (B y C)	1 = A y B y C	2 = solo A y B
3 = A y (B o C)	4 = solo A	5 = solo A o B
6 = A o B o C	7 = solo A y C	8 = solo A o C
9 = solo B y C	10 = solo B	11 = solo B o C
12 = solo C		

Mando 37 Habilitación lector de tarjeta:

Programando este mando a 1, se habilita el funcionamiento del lector de tarjeta.

Mando 38 Vaciado tubos de restitución-vuelto:

Este mando se utiliza para inventariar las monedas presentes en los tubos de la caja para fichas. Para obtener la erogación del tubo 1 (monedas de valor más pequeño), proceder de la siguiente manera:

1. Modo programación, en el visualizador apareceMando 00
2. Digitalizar 38 y apretar ENTER, display visualiza..... Tubo N° 00
3. Digitalizar 1 y apretar ENTER.

La caja para fichas empieza erogar monedas desde el tubo seleccionado hasta que se solte el pulsador ENTER.

Mando 39 Llenado tubos de restitución-vuelto:

Proceder de la siguiente manera:

1. Modo programación, en el visualizador apareceMando 00
2. Digitalizar 39 y oprimir ENTER
3. Insertar las monedas en la caja para fichas.
4. Oprimir nuevamente el botón ENTER.

Nota. No ejecutando correctamente este procedimiento, se podrán encontrar valores incorrectos en los mandos 09 y 10.

9.4 UTILIZACIÓN SISTEMAS DE PAGO MDB



La conexión y la desconexión de la caja recaudadora se llevarán a cabo con la máquina apagada.

Después de la conexión, encender la máquina, entrar en la programación y programar el **mando 69 en 5** y apagar la máquina por algunos segundos. Al reencendido la máquina y la caja para fichas comunicaran correctamente.

Se tienen los siguientes mandos adicionales para la utilización de estos sistemas de pago:

Mando 27	Programación de la indicación de que el sistema de pago está fuera de servicio.
Mando 28	Selección contadores contenido tubos devolución del resto.
Mando 29	Inhibición de la visualización del crédito cashless.
Mando 30	Obligación de compra antes del vuelto.
Mando 31	Programación crédito máximo aceptado con llave y en contante.
Mando 32	Nivel mínimo de monedas en los tubos.
Mando 33	Bloqueo de monedas/billetes
Mando 34	Inhibición monedas en condiciones de importe exacto / activa escrow billetes.
Mando 35	Puesta a cero de los contadores de monedas en los tubos para la devolución del resto.
Mando 36	Condición de importe exacto (no hay resto).
Mando 37	Inhibición lector de billete en condición de importe exacto.
Mando 38	Vaciado tubos de restitución-vuelto.
Mando 39	llenado tubos de devolución de cambio.

Mando 27 Programación de la indicación de que el sistema de pago está fuera de servicio:

Si el mando está programado a 1, cuando se interrumpe la conexión con el sistema de pago MDB, el distribuidor quedará fuera de servicio y en pantalla aparecerá el mensaje; si el mando está programado a 0 (cero), la opción está excluida. La programación por default es 0.

Mando 28 Selección contadores contenido tubos devolución del resto:

El mando permite escoger si utilizar los contadores correspondientes al contenido de los tubos para la devolución del resto de la caja recaudadora o bien utilizar exclusivamente los contadores internos de la máquina. Si el mando está programado en el 1 cada vez que se efectúe un power-up los contadores correspondientes al contenido de los tubos para la devolución del resto interiores de la máquina se actualizan con los valores enviados por la caja recaudadora. Si, en cambio, el mando está programado en el 0 se ignoran los valores que envía la caja recaudadora.

Mando 29 Inhibición de la visualización del crédito cashless:

El mando permite inhibir o habilitar la visualización del crédito procedente del dispositivo cashless MDB (lector de llave o tarjeta). Si el mando está programado en 1, el crédito correspondiente al dispositivo cashless no aparece; si, en cambio, el mando se programa en el 0, la máquina muestra también el crédito correspondiente al dispositivo cashless.

Mando 30 Obligación de compra antes del vuelto:

Programando este mando a 1, el cliente está obligado en la compra antes de obtener el vuelto, esto para evitar que la caja para fichas sea usada como cambiamonedas. El resto es erogado si la venta quebrase.

Mando 31 Programación crédito máximo aceptado con llave y en contante:

Se programa el crédito máximo aceptado por la caja recaudadora para la compra con llave/tarjeta o bien en contante, cuando se supera este valor se bloquea la aceptación de ulteriores monedas/billetes. Seguidamente se solicita la opción de restitución máxima, o sea, la máxima cantidad de monedas restituible; valor de default 1000, valor máx. 9000.

Mando 32 Nivel mínimo de monedas en los tubos:

Es el número de monedas, en cada caja recaudadora, que debe quedar en cada uno de los tubos para garantizar el correcto funcionamiento del sistema de suministro (Consultar el manual de la caja recaudadora para programar el valor correcto de este parámetro). Si a cada tubo hay asociado un valor diferente debe programarse el valor máximo de entre los declarados. La programación de este parámetro es fundamental para que el distribuidor pueda efectuar una correcta gestión contable.

Nota. El inventario tubos, mando 38, se parará cuando el contenido de cada tubo alcance el valor programado en el mando 32. Para vaciar por completo los tubos, utilizar los pulsadores de suministración de la caja recaudadora.

Mando 33 Bloqueo de monedas/billetes:

Este comando permite efectuar las dos regulaciones que se describen a continuación:

1. Bloqueo de la aceptación de monedas particulares por parte de la caja recaudadora.
2. Bloqueo de la aceptación de billetes particulares por parte del lector.

Para pasar del punto 1 al punto 2, pulse el botón ESC.

Nota: Las monedas están en orden de valor creciente.

Mando 34 Inhibición monedas en condiciones de importe exacto/ activa escrow billetes:

Este comando permite efectuar las dos regulaciones que se describen a continuación:

Este mando se utiliza para bloquear la aceptación de determinadas monedas en condiciones de cambio chico, es decir, cuando en el display se visualiza el mensaje "Ingresar solo importe exacto".

1. bloquear la aceptación de particulares monedas en condiciones de posible falta de resto, es decir, cuando en la pantalla se visualiza el mensaje "Ingresar solo importe exacto".
2. Activar para cada billete la función "Escrow".

Mando 35 Puesta a cero de los contadores de monedas en los tubos para la devolución del resto:

Este mando se utiliza cuando se sustituye la caja recaudadora o cuando se vacían, con la máquina apagada, los tubos para la devolución del resto, para sincronizar los contadores con el efectivo contenido de los tubos para la devolución del resto.

1. Modo programación, en el visualizador apareceMando 00
2. Teclear 35 y apretar ENTER, en la pantalla aparece..... Código 0000
3. Teclear 6203 y apretar ENTER.

Mando 36 Condición de importe exacto (no hay resto):

Con este mando se programa para cada tubo de devolución del resto el número de monedas por debajo del cual resulta real la condición no hay resto. El valor programado tiene que considerar el nivel mínimo de monedas en los tubos (mando 32) en el sentido que tiene que ser superior a éste (por ejemplo: si el mando 32 está programado a 5, los valores programados en el mando 36 tienen que tener como valor mínimo el 6). Los tubos que no se desea incluir en la condición se programan a "0".

Cuando el contenido de uno cualquier de los tubos, incluidos en la condición, baja por debajo del valor correspondiente programado, la máquina mostrará la advertencia de que no hay resto.

Mando 37 Inhibición lector de billetes en condiciones de importe exacto:

Programando en 1 este mando, en condiciones de importe exacto, el lector de billetes se inhibe.

Nota. En caso de que se instale solamente el lector de billetes, este mando debe estar programado en 0.

Mando 38 Vaciado tubos de restitución-vuelto:

Este mando se utiliza para inventariar las monedas presentes en los tubos de la caja para fichas. Para obtener la erogación del tubo 1 (monedas de valor más pequeño), proceder de la siguiente manera:

1. Modo programación, en el visualizador apareceMando 00
2. Digitalizar 38 y apretar ENTER, display visualiza..... Tubo N° 00
3. Digitalizar 1 y apretar ENTER.

La caja para fichas empieza erogar monedas desde el tubo seleccionado hasta que se solte el pulsador ENTER.

Mando 39 Llenado tubos de restitución-vuelto:

Proceder de la siguiente manera:

1. Modo programación, en el visualizador apareceMando 00
2. Digitalizar 39 y oprimir ENTER
3. Insertar las monedas en la caja para fichas.
4. Oprimir nuevamente el botón ENTER.


Nota. No ejecutando correctamente este procedimiento, se podrán encontrar valores incorrectos en los mandos 09 y 10.

9.5 UTILIZACIÓN SISTEMAS DE PAGO EXECUTIVE STD/EXECUTIVE PRICE HOLDING

Mando 39 Llenado tubos de restitución-vuelto:

Proceder de la siguiente manera:

1. Modo programación, en el visualizador apareceMando 00
2. Digitalizar 39 y oprimir ENTER
3. Inserir las monedas en la caja para fichas.
4. Oprimir nuevamente el botón ENTER.

	La programación visualización del punto decimal de los precios visible en la pantalla, tiene que programarse en el sistema de pago.
---	---

Executive Standard ⇒ Mando 69 programado a 0

El sistema de pago Executive standard, gestiona los precios directamente en la máquina y no en el sistema de pago.

Por ejemplo si se desea programar la selección 21 a 0,75 € seguir las instrucciones incluidas a continuación:

- 1.1) Modo programación, en el visualizador apareceMando 00
- 1.2) Teclear 03 y apretar ENTER , en el visualizador aparece..... Selección N° 00
- 1.3) Teclear 21 y apretar ENTER , en el visualizador aparece..... Precio 00
- 1.4) Teclear 75 y apretar ENTER , en el visualizador aparece..... Selección N° 00

Si se desea programar otra selección, repetir la secuencia desde el punto 1.2 en caso contrario apretar dos veces ESC.

Executive price-holding ⇒ Mando 69 programado a 1

En el sistema de pago Executive price-holding los precios los gestiona el sistema de pago.

En este caso debe copiarse la tabla precios (lista precios) programada en el sistema de pago en el mando 03 del distribuidor (desde precio 1 hasta precio n) , mientras que en el Mando 05 se vincularán a la selección los precios tomando como referencia su número .

Ejemplo: si se desea programar la selección 11 a 0,35 € hacer lo explicado a continuación:

Supongamos que el segundo precio programado en el sistema de pago sea 0,35 €.

- 1.1) Modo programación, en el visualizador apareceMando 00
- 1.2) Teclear 03 y apretar ENTER, en el visualizador aparece.....Precio Número 00
- 1.3) Teclear 02 (segundo precio) y apretar ENTER, en el visualizador aparece..... Precio 00
- 1.4) Teclear 35 y apretar ENTER, en el visualizador aparece.....Precio Número 00
- 1.5) Apretar ESC .. en el visualizador apareceMando 00
- 1.6) Teclear 05 y apretar ENTER, en el visualizador aparece..... Selección N° 00
- 1.7) Teclear 11 y apretar ENTER, en el visualizador aparece.....Precio Número 00
- 1.8) Teclear 02 (segundo precio) y apretar ENTER, en el visualizador aparece..... Selección N° 00

Si se desea programar otra selección repetir la secuencia desde el punto 1.6 en caso contrario apretar dos veces ESC.

Executive price-display ⇒ Comando 69 programado con 1.

En el sistema de pago Executive price-display, el sistema de pago gestiona los precios.

En la selección el Comando 05 reunirá la selección y los precios teniendo como referencia su número.

Ejemplo:

- 1.1) Ingresar 05 y pulsar ENTER, en el display aparece Selección N° 00
- 1.2) Ingresar el número de la selección y pulsar ENTER, en el display aparece.....Precio Número 00
- 1.3) Ingresar, por ejemplo, 02 (segundo precio) y pulsar ENTER, en el display aparece..... Selección N° 00

Si se desea programar otra selección, repetir la secuencia desde el punto 1.1, si no, pulsar dos veces ESC.

10 REGULACIONES

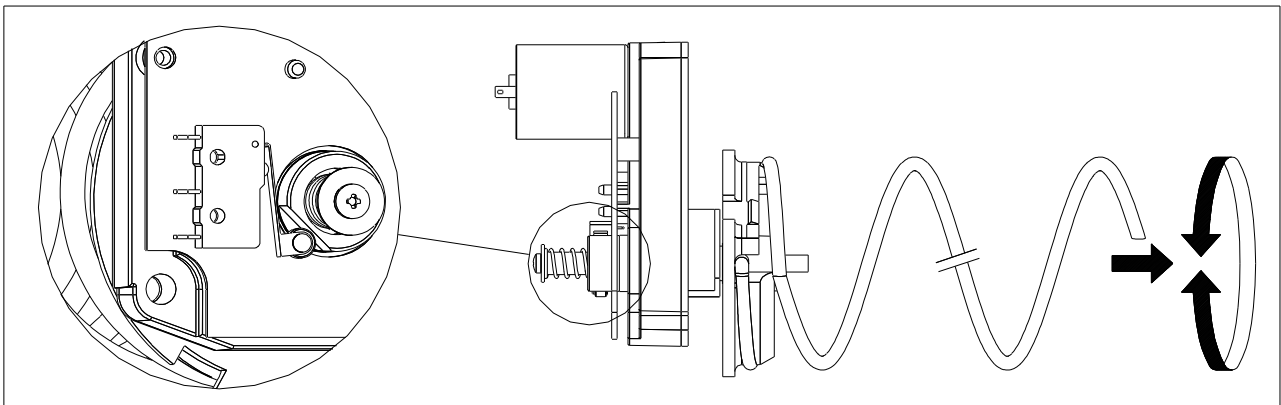
10.1 ESPIRALES



La mayor parte de los productos se suministra sin problemas cuando el extremo de la espiral está colocado en 6 horas. Para modificar la posición del extremo, es necesario tirar la espiral hacia adelante hasta que la base del soporte-espirales no se desprenda del motor, luego se la debe girar hasta ubicarla en la posición deseada y finalmente soltarla, ya que por efecto del resorte volverá a entrar en el motor. Eventualmente empujar para que entre completamente.

Se puede hacer girar cada espiral sólo 45° a la vez.

ATENCIÓN: al efectuar esta operación, comprobar que la leva del microinterruptor del motor esté siempre en la posición de reposo. Para comprobarlo, es suficiente con efectuar algunos suministros en modalidad "TEST VEND" (véase apartado TECLADO FUNCIONES/PROGRAMACIÓN).

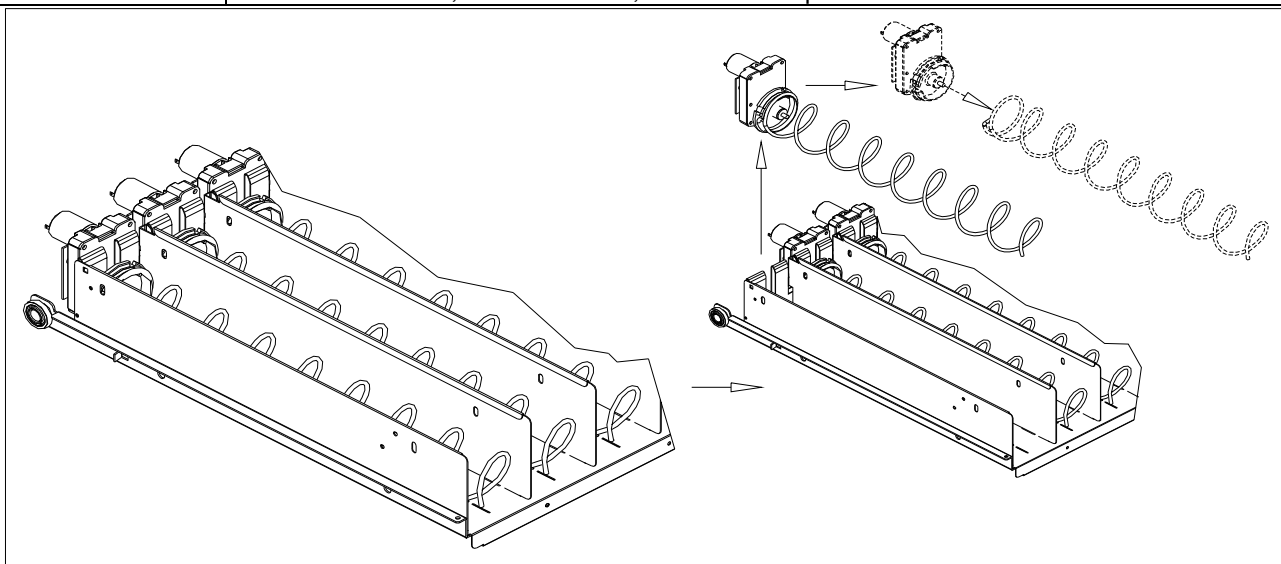


10.2 SUSTITUCIÓN ESPIRAL Y GRUPO MOTOR EXPULSOR



El distribuidor está provisto de cajones con espirales de pasos y diámetros diferentes. Para realizar alguna variación respecto a la cantidad o la disposición de las espirales, proceder de la siguiente manera:

- Apagar la máquina con el interruptor general y desconecte la clavija.
- Abrir la puerta principal.
- Extraer el cajón donde está la espiral que se desea modificar.
- Desconectar y quitar el conjunto motor/espiral.
- Sacar la espiral del soporte de plástico (hacer palanca entre la espiral y el soporte) y colocar la otra espiral o el otro grupo motor expulsor.
- Montar el nuevo grupo espiral, procediendo en sentido contrario; concluida la operación, cerciorarse de que el extremo de la espiral esté colocado en la posición de las 6 horas, si así no fuera, consultar el apartado "ESPIRALES".



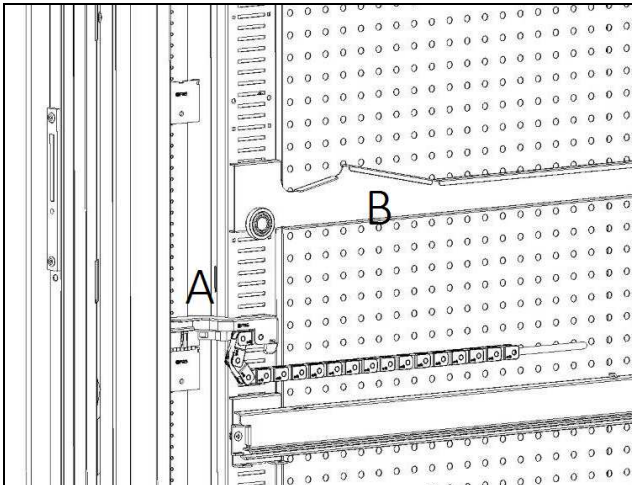
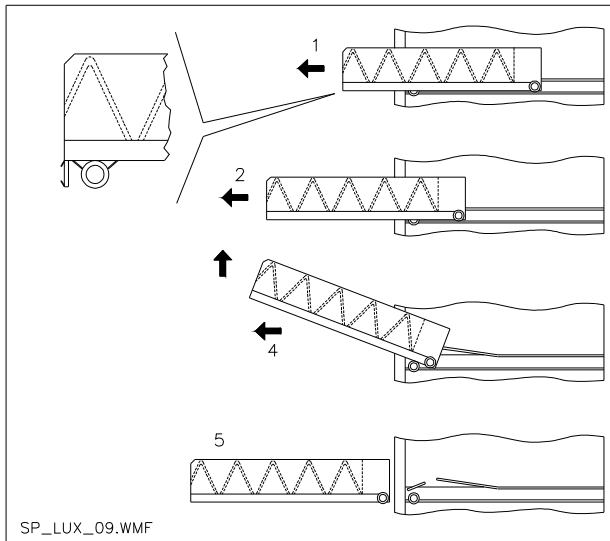


fig. 4



SP_LUX_09.WMF

fig. 5

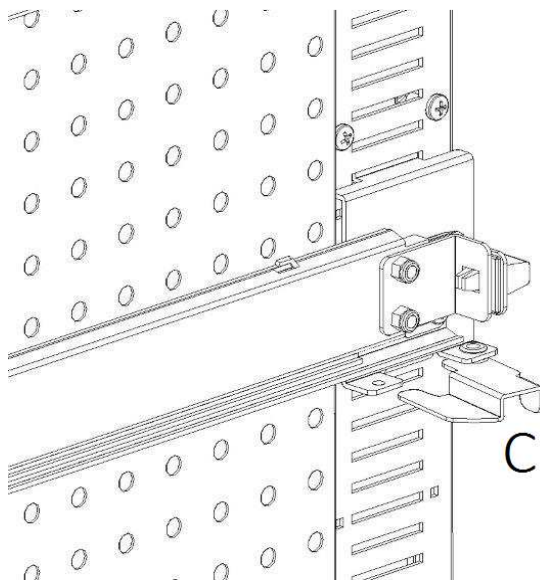


fig. 6

10.3 PROCEDIMIENTO PARA EL DESMONTAJE DE LOS CAJONES

Para sustituir el cajón hay que hacer lo siguiente:

- Apagar la máquina con el interruptor general y quitar el enchufe.
- Abrir la puerta principal.
- Desconectar el conector eléctrico -A-
- Extraer el cajón salvando la presión ejercida por el muelle de posicionamiento (tirar suavemente)
- Extraer el cajón hasta el tope y levantarlo hacia arriba, girándolo luego hacia abajo hasta que se desenganche la guía. Por último, sacarlo de la máquina.

Para montar otro cajón, hacer lo siguiente:

- Meter el cajón.
- Empujar hasta que el cajón se acople en la posición de bloqueo
- Insertar el conector eléctrico -A-
- Cerrar la puerta principal.
- Dar tensión con el interruptor general.

10.4 VARIACIÓN DE CAJONES

Los distribuidores de 6 cajones pueden llevar 7 cajones haciendo lo siguiente:

- Apagar la máquina con el interruptor general y quitar el enchufe.
- Extraer todos los cajones del distribuidor automático.
- Desplazar las guías ref. B (la última abajo ya está posicionada correctamente, por lo que no hay que desplazarla). Para desplazar las guías, accionar el gancho ref. C y, luego, girar la guía para quitarla y colocarla a la altura deseada.
- Cambiar de sitio los conectores, ref. A puestos en el borde del distribuidor.
- Montar otro par de guías.
- Montar 7 cajones y comprobar que los conectores estén bien insertados.
- Establecer los nuevos precios.

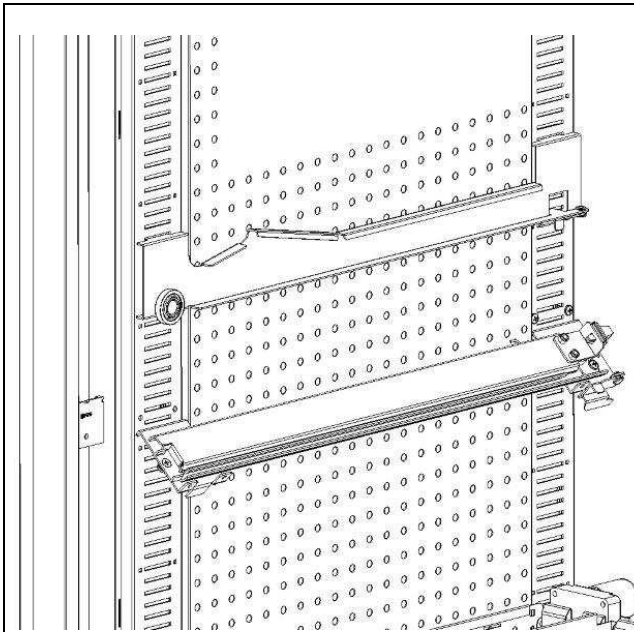


fig. 7

10.5 PROCEDIMIENTO DE CAMBIO DE BARANDILLA PARA LA GESTIÓN DE LAS TEMPERATURAS

Para modificar la estratificación de las temperaturas dentro de la máquina es necesario utilizar la barandilla adecuada, tal como se explica en el **Capítulo 3**.

Para sustituir las barandillas presentes en el distribuidor automático:

- quitar los cajones en la forma indicada
- quitar todas las guías (ref. B)
- Tirar de la parte superior de la barandilla hacia el interior de la máquina, tal como se muestra en la **fig. 8**.
- quitar la barandilla y coloque la barandilla deseada, siguiendo el procedimiento inverso.

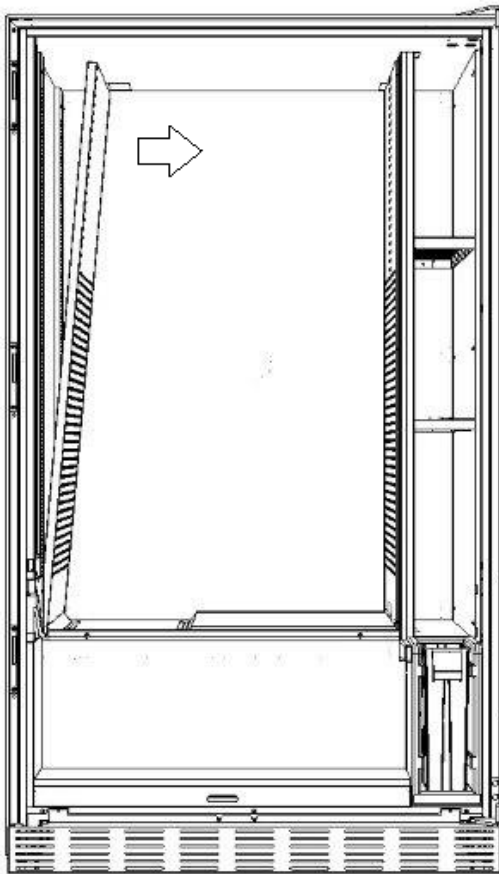
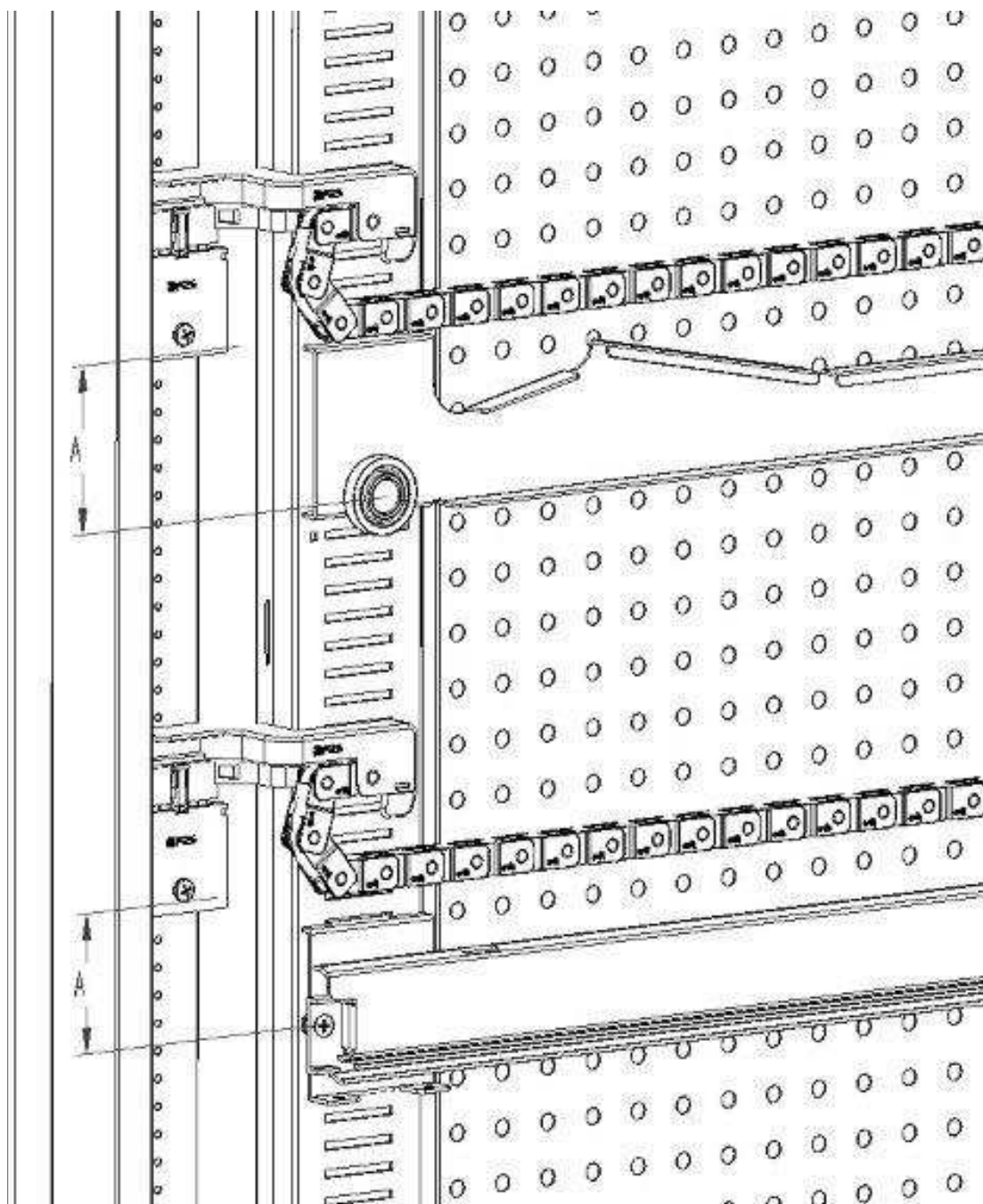


fig. 8

10.6 INSTRUCCIÓN PARA FIJAR EL CABLEADO DEL CAJÓN ⚠



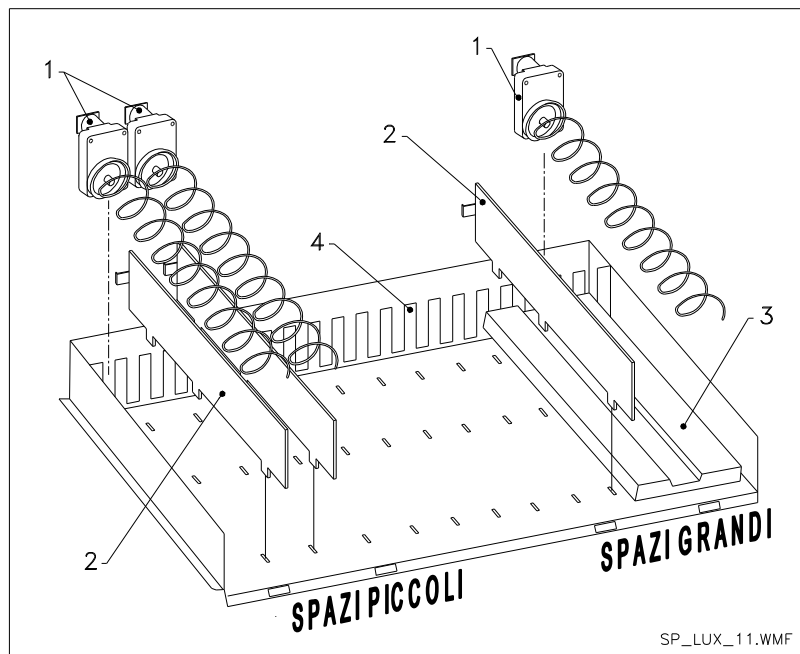
En el supuesto de que se modifique el número de cajones incorporados en el distribuidor automático o, de cualquier modo, se varíe la configuración de su disposición, es conveniente atenerse estrictamente a las medidas aconsejadas en la siguiente tabla para obtener un desenrollado correcto del recorrido de cableado al extraer el cajón.

TIPO DE CAJÓN/GUÍA	COTA "A" (mm)
Cajón con guía estándar 1	60
Cajón con guía reforzada 2	70
Cualquier cajón con barra de descarga de las botellas	110

10.7 INSTRUCCIONES PARA LA CONVERSIÓN DE LOS CAJONES

De espacio grande a dos espacios pequeños.

- Apagar la máquina con el interruptor general y desconecte la clavija.
- Abrir la puerta.
- Quitar la tapa del neón.
- Extraer el cajón a modificar.
- Extraer el grupo motor + espiral ref.1.
- Desmontar la bandeja ref.3.
- Sustituir la espiral de diámetro grande con otra de diámetro pequeño.
- Insertar el grupo motor + espiral de diámetro pequeño en la ranura de la izquierda del soporte ref. 4.
- Insertar el nuevo grupo motor + espiral de diámetro pequeño en la ranura de la derecha conectándolo al cableo existente en el cajón.
- Agregar el nuevo tabique divisorio en medio a las dos espirales ref. 2.
- Instalar las nuevas placas con los precios y selecciones.
- Poner el cajón modificado teniendo cuidado que el conector esté insertado.
- Programar las nuevas selecciones con el precio de venta deseado.
- Comprobar las selecciones modificadas para asegurarse que funcionen.



De dos espacios pequeños a uno grande.

- Apagar la máquina con el interruptor general y desconecte la clavija.
- Abrir la puerta.
- Quitar la tapa del neón.
- Extraer el cajón a modificar.
- Extraer los grupos motor + espiral ref.1.
- Guardar un grupo motor + espiral y sustituir en el otro la espiral de diámetro pequeño con otra de diámetro grande.
- Desmontar el separador ref.2.
- Montar la bandeja ref.3.
- Colocar el grupo motor + espiral de diámetro grande en la ranura del centro del soporte ref. 4.
- Instalar las nuevas placas con los precios y selecciones.
- Poner el cajón modificado teniendo cuidado que el conector esté insertado.
- Programar las nuevas selecciones con el precio de venta deseado. **NOTA: en las selecciones de los espacios grandes, los números de selección serán impares. EJ: Las selecciones A 1 y A 2 transformadas en un sólo compartimiento la selección será A 1.**
- Comprobar las selecciones modificadas para asegurarse que funcionen.

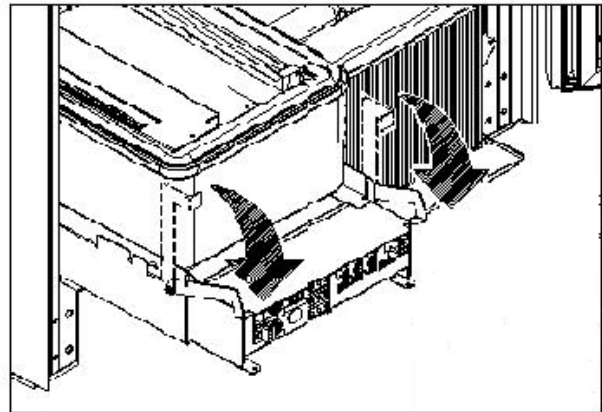
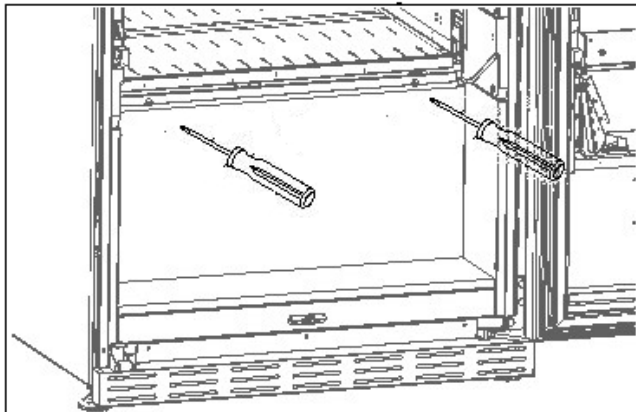
10.8 ACCESO AL CUADRO ELÉCTRICO Y AL GRUPO REFRIGERANTE

Para acceder al cuadro eléctrico o al grupo refrigerante hay que hacer lo siguiente:

- Apagar la máquina con el interruptor general y desconecte la clavija.
- Abrir la puerta.
- Desenroscar con el destornillador cruciforme los dos tornillos que fijan la bolsa de recuperación de productos en el distribuidor. Extraer la bolsa.
- Para extraer el grupo refrigerante, bajar las dos palancas situadas en los lados de la caja del evaporador. Comprobar que la junta puesta en el borde superior de la caja del evaporador esté separada completamente del asiento de estanqueidad, tirar de la manilla correspondiente. CUIDADO con los cables.
- Tras el Reglamento 517/2014/CE, los grupos de refrigeración utilizarán gases refrigerantes alternativos. A bordo de la unidad de refrigeración se encuentran las etiquetas adecuadas para reconocer el tipo de gas utilizado y su carga. La unidad frigorífica es completamente hermética: cualquier operación de reemplazo en la máquina, por lo tanto, requiere una operación mecánica simple. Si, por el contrario, el operador profesional desea realizar una reparación por su cuenta, primero debe comprobar que dispone de los conocimientos y equipos adecuados para el tipo de gas indicado.



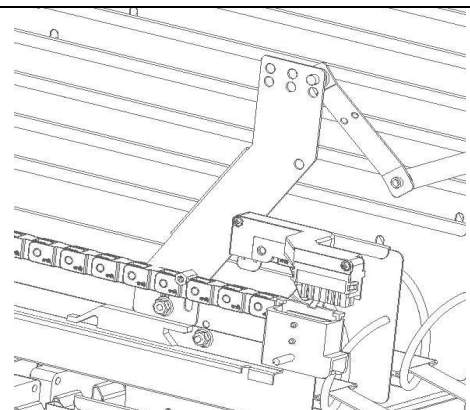
Panel eléctrico: Al quitar el bolsillo de recuperación de productos, todo el distribuidor permanece en tensión. Para el completo aislamiento de la corriente eléctrica, hay que desenchufar la clavija del interruptor magnetotérmico exterior. Por consiguiente, todas las operaciones que requieren el distribuidor sin la protección del bolsillo de recuperación de productos serán llevadas a cabo única y exclusivamente por personal profesionalmente cualificado y al corriente de los riesgos específicos que se pueden derivar de dicha condición.



10.9 KIT DESCARGA BOTELLAS

La barra se puede posicionar en 6 agujeros diferentes según el tipo de botella cargada

ATENCIÓN: la barra de descarga botellas no tiene que utilizarse para extraer el cajón.



10.10 INSTRUCCIONES PARA SUSTITUIR EL APARATO DE ILUMINACIÓN INTERIOR



- Apagar la máquina con el interruptor general y desconecte la clavija.
- Abrir la puerta principal.
- Quitar la cubierta de la fuente luminosa.
- Sustituir la lámpara.
- Realizar las operaciones inversas para el montaje.

11 INSTRUCCIONES PARA LA LIMPIEZA






Estas actividades deben ser realizadas por personal con experiencia práctica en el aparato, al tratarse de seguridad y de higiene.

Con la finalidad de asegurar un funcionamiento óptimo de la máquina a lo largo del tiempo, debe someterse a un mantenimiento adecuado y periódico. Este capítulo está dedicado a las operaciones de mantenimiento y a sus plazos, que se deben considerar indicativos, ya que dependen de diferentes factores, como el tipo de productos usados, las condiciones climáticas y, especialmente la humedad, etc. Las operaciones descritas en este capítulo no abarcan todas las intervenciones de mantenimiento. Todas las operaciones de limpieza han de ser efectuadas tras haber cortado la alimentación eléctrica a la máquina. En ningún caso está permitido el uso de chorros de agua directos y/o de alta presión para lavar la máquina. Con el fin de evitar riesgos de oxidación o de agresiones químicas en general, es necesario mantener bien limpias las superficies pintadas y de acero inoxidable.

11.1 PUNTOS DE LIMPIEZA IMPORTANTES

Utilizar los productos de limpieza ateniéndose estrictamente a las dosis indicadas en la etiqueta. No utilizar detergentes demasiado "agresivos" pues podrían estropear algunas partes. Por lo tanto, el fabricante declina toda responsabilidad por daños ocasionados por uso incorrecto de tales detergentes o empleo de agentes tóxicos.

Con productos sanificantes (clorodetergentes o afines) 	Interior del distribuidor (zona cajones), cajones, cristal de exposición. Los restos que pudieran quedar tanto de detergente como de desinfectante o de alimentos se quitarán con una esponja humedecida antes de volver a poner en marcha la máquina.	En cada recarga o por lo menos cada 5 días
Con aspiradora o con aire comprimido  	Quitar la suciedad del condensador. Controlar que el aire pueda pasar entre la parte frontal y la posterior del condensador. Después de esta operación, limpiar el distribuidor por dentro.	cada mes
Si esta operación no se realiza correctamente, el sistema de refrigeración podría resultar seriamente dañado.		

11.2 INACTIVIDAD

En previsión de una parada larga de inactividad de la máquina, se deben adoptar sus debidas precauciones para que no se creen situaciones peligrosas en el arranque. Por una parada larga se entiende un periodo de inactividad completo superior a un mes.

Para largos periodos de reposo hay que:

- Limpiar cuidadosamente la máquina y secarla;
- Controlarla cuidadosamente y sustituir las partes dañadas o gastadas;
- Comprobar el apriete de los tornillos y pernos;
- Cubrir la máquina después de haberla colocada en un ambiente protegido.

La nueva puesta en funcionamiento del distribuidor automático debe efectuarse siguiendo las indicaciones del apartado "Instalación" de este manual, prestando especial atención si se venden productos alimenticios (véase el apartado "Uso del distribuidor automático para la venta de productos alimenticios").